

## Linear Double Ended ECO 118mm

DE 118MM ECO 230V 230W R7S SV1

0021717



### Range features

- Xenon technology
- Sparkling light output
- Less CO2 emissions
- Less heat generation
- Transformer free operation
- Filament support method patented
- Average rated life 1000hrs or 2000hrs - 20% energy savings compared to standard halogen double ended lamps with same light output



### PRODUCT OVERVIEW

Ordering number	0021717
Light colour	829 Warm white
Technology	Halogen
Energy class	C
Average life (Rated) (h)	2000
Lamp finish	clear
Lamp shape	Linear
Dimmable	Yes
Cap/Base	R7s
Type	Linear Double Ended
EAN code	5410288217178
CRI (Ra)	100
Beam angle(°)	na
Colour temperature (K)	3000
Luminous flux (Rated) (lm)	4700
Watt (Nominal) (W)	230
Voltage (V)	230

## Linear Double Ended ECO 118mm

DE 118MM ECO 230V 230W R7S SV1

0021717

### DATA TABLE

#### General data

Ordering number	0021717
Technology	Halogen
Average life (Rated) (h)	2000
Average life (Nominal) (h)	2000
Energy saving lamp	No
Energy class	C
Lamp finish	clear
Lamp shape	Linear
Dimmable	Yes
Cap/Base	R7s
Type	Linear Double Ended
EAN code	5410288217178
Long description	Xenon technology. Sparkling light output. Less CO2 emissions. Less heat generation. Transformer free operation. Filament support method patented. Average rated life 1000hrs or 2000hrs - 20% energy savings compared to standard halogen double ended lamps with same light output
Product name	DE 118MM ECO 230V 230W R7S SV1
Lamp mercury content (mg)	0
Starting time (max) (s)	0.01
Warm-up time to 60% of full light (max) (s)	Instant full light
Control gear required	No
Fixture rating	Enclosed
IEC Reference	IEC 60357
IEC Reference 2	IEC 60432-3
Intended purpose	General lighting
No. of switching cycles before premature failure (min)	> 8000
Special purpose lamp	No
Transformer required	No
Sales pack quantity	10
Optimal operating condition (°C)	25

#### Optical data

Light colour	829 Warm white
CRI (Ra)	100
Suitable for accent lighting	No
Beam angle(°)	na
Colour temperature (K)	3000
Luminous flux (Rated) (lm)	4700
Lumen maintenance at end of nominal life (%)	80
Luminous flux (Nominal) (lm)	4700

# Linear Double Ended ECO 118mm

*DE 118MM ECO 230V 230W R7S SV1*

**0021717**

## Electrical data

<b>kWh per 1000 hours burning time</b>	230
<b>Watt (Rated) (W)</b>	230
<b>Watt (Nominal) (W)</b>	230
<b>Voltage (V)</b>	230
<b>Lamp power factor</b>	1

## Physical data

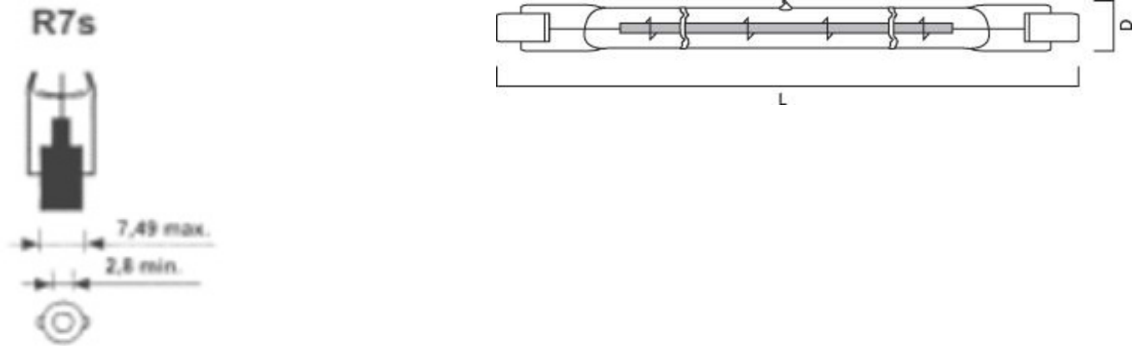
<b>Weight (kg)</b>	0.01
<b>Lamp Length (mm) - C/L</b>	119.6
<b>Max. Lamp Diameter (mm) - D</b>	12
<b>Single packaging type</b>	Box/Sleeve
<b>Single package dimensions (L x W x H) (cm)</b>	16.50 x 2.50 x 2.90
<b>Inner package dimensions (L x W x H) (cm)</b>	17.00 x 13.00 x 6.50
<b>Inner package net weight (kg)</b>	0.08
<b>Outer package dimensions (L x W x H) (cm)</b>	37.50 x 28.50 x 19.50

## Linear Double Ended ECO 118mm

DE 118MM ECO 230V 230W R7S SV1

0021717

### TECHNICAL DRAWINGS



### ENERGY LABEL

