

PLEASE CHECK WWW.MOLEX.COM FOR LATEST PART INFORMATION

Part Number: [34586-0001](#)
Status: **Active**
Overview: [MX123™ Sealed Connection System](#)
Description: [MX123™ 0.64mm Grommet Seal Plug](#)

Documents:

[Drawing \(PDF\)](#) [RoHS Certificate of Compliance \(PDF\)](#)
[Product Specification PS-34566-0000 \(PDF\)](#)

General

Product Family	Accessories
Series	34586
Component Type	Voiding Key
Overview	MX123™ Sealed Connection System
Product Name	MX123
UPC	822348345656

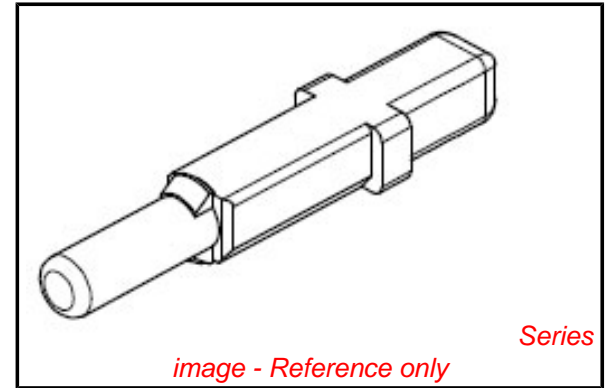
Physical

Circuits (Loaded)	1
Color - Resin	Gray
Lock to Mating Part	No
Material - Resin	Nylon Alloy
Net Weight	0.064/g
Packaging Type	Bag

Material Info

Reference - Drawing Numbers

Product Specification	PS-34566-0000
Sales Drawing	SD-34586-001



EU RoHS

**ELV and RoHS
Compliant**
**REACH SVHC
Contains SVHC: No**
**Low-Halogen Status
Low-Halogen**

China RoHS



**Need more information on product
environmental compliance?**

Email productcompliance@molex.com
 For a multiple part number RoHS Certificate of
 Compliance, [click here](#)

Please visit the [Contact Us](#) section for any
 non-product compliance questions.

Search Parts in this Series

[34586Series](#)

Use With

MX123 Female Receptacle Housing [34566](#) ,
[34576](#)