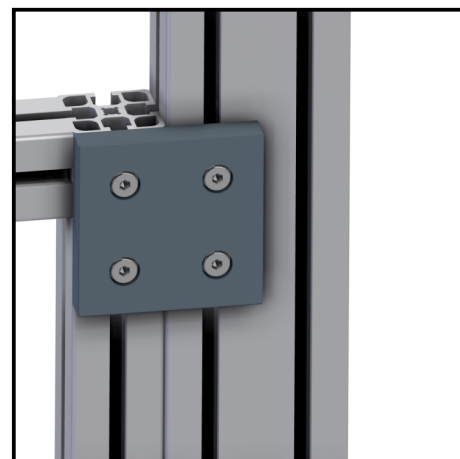
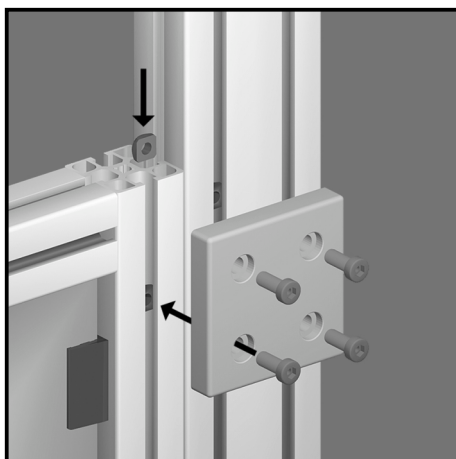
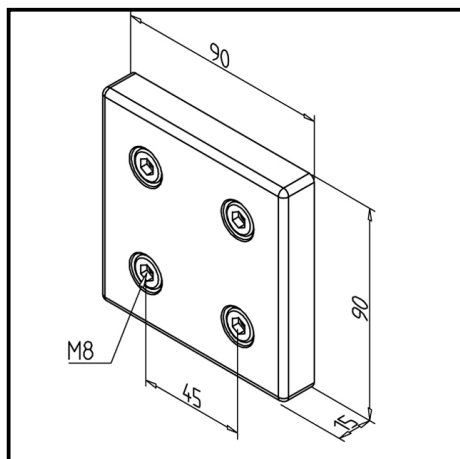


CONNECTING PLATE 90 X 90

Article Nr. 21.1473/0

[See the product on the website](#) →

[Download CAD Files](#) →



TECHN. DATA / ITEMS SUPPLIED

- Aluminium, Pressure die-casting, powder-coated, grey
- With fastening material steel, zinc plated
- Conductive version Art. no. 21.1473/6
- Weight = 0.366 kg/piece

APPLICATIONS

- Connection of two guards without gap
- Strengthening of guard units
- Connection of pre-assembled modules

ASSEMBLY

- Install to groove of guard unit and posts with supplied hardware