

**Product number CP15916\_CARMEN-RS-C**

Family	Carmen	FWHM	12 degrees
Type	Assembly	Efficiency	61 %
LED	VERO10	cd/lm	9.900
Color	Black	Gerber File	Available
Diameter	69.5 mm		
Height	41.5 mm		
Style	Round		
Optic Material	PMMA		
Holder Material	-		
Fastening	["socket"]		
Status	Production ready		

**Product number CP15774\_CARMEN-S-C**

Family	Carmen	FWHM	14 degrees
Type	Assembly	Efficiency	75 %
LED	VERO10	cd/lm	6.900
Color	Black	Gerber File	Available
Diameter	69.5 mm		
Height	41.5 mm		
Style	Round		
Optic Material	PMMA		
Holder Material	-		
Fastening	["socket"]		
Status	Production ready		

**Product number CP15775\_CARMEN-M-C**

Family	Carmen	FWHM	45 degrees
Type	Assembly	Efficiency	74 %
LED	VERO10	cd/lm	1.200
Color	Black	Gerber File	Available
Diameter	69.5 mm		
Height	41.5 mm		
Style	Round		
Optic Material	PMMA		
Holder Material	-		
Fastening	["socket"]		
Status	Production ready		

**Product number CP15776\_CARMEN-W-C**

Family	Carmen	FWHM	55 degrees
Type	Assembly	Efficiency	83 %
LED	VERO10	cd/lm	6.900
Color	Black	Gerber File	Available
Diameter	69.5 mm		
Height	41.5 mm		
Style	Round		
Optic Material	PMMA		
Holder Material	-		
Fastening	["socket"]		
Status	Production ready		



## PRODUCT DATASHEET

### Carmen series

last update 7/2/2017

**NOTE: The typical divergence will be changed by different color, chip size and chip position tolerance. The typical total divergence is the full angle measured where the luminous intensity is half of the peak value.**



## PRODUCT DATASHEET

### Carmen series

last update 7/2/2017

#### GENERAL INFORMATION

- Product series especially designed & optimized for VERO10 series of LEDs.
- Special care taken to make light distribution as uniform as possible.
- Lens material optical grade PMMA with high UV and temperature resistance. Allows use of high current and temperature conditions.

Please find more information about used material from below:

[http://ledil.fi/sites/default/files/Documents/Technical/Material/PMMA%20N%20UL94\\_Yellow%20Card.pdf](http://ledil.fi/sites/default/files/Documents/Technical/Material/PMMA%20N%20UL94_Yellow%20Card.pdf)

<http://ledil.fi/sites/default/files/Documents/Technical/Material/PMMA%20N%20PLEXIGLAS-Datasheet.pdf>

Note! Due to use of high power COB's with this product, special attention to proper thermal design is highly recommended. LEDiL has no liability for direct, indirect or consecutive damages arising from the LEDiL products being used outside of the recommended temperature range.

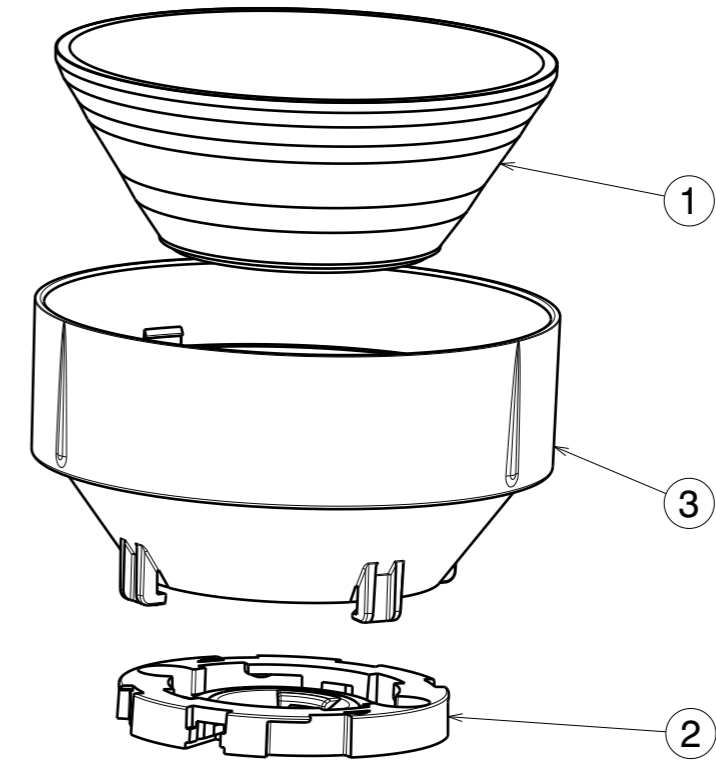
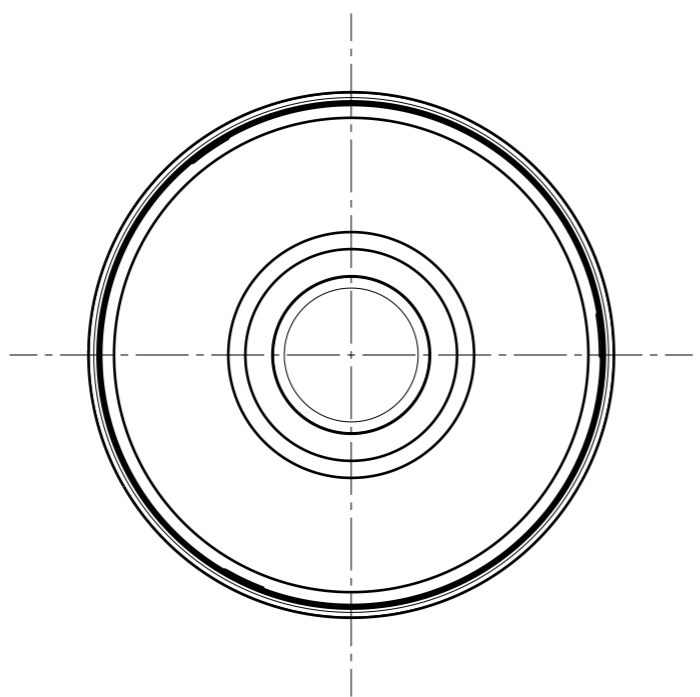
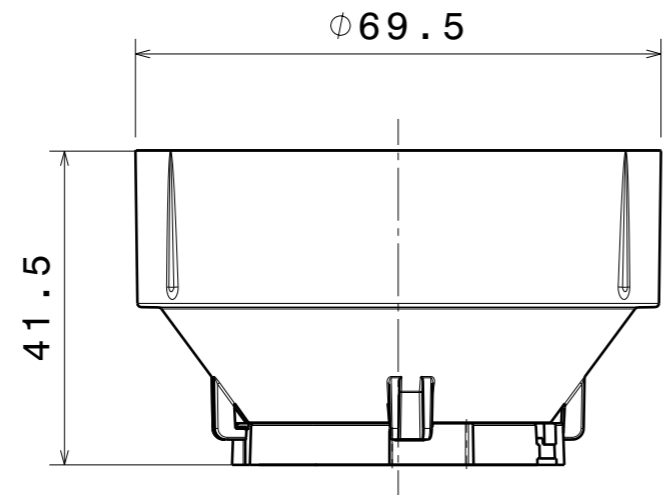
H G F E D C B A

4

3

2

1



INDEX	PART NO	DESCRIPTION	MATERIAL	COLOUR
1	Carmen-Lens		PMMA	Clear
2	Hekla	HEKLA-SOCKET	PBT	White
3	C15732	CARMEN-HLD-C	PC	black

Tolerances if not otherwise shown  
 According to DIN ISO 2768-1  
 Linear measures:  
 Up to 30mm class M, otherwise class C.  
 According to DIN ISO 2768-2  
 Form and position: class L

**LEDiL** LediL Oy  
 Salorankatu 10  
 FIN 24240 SALO  
 Finland

THIRD ANGLE PROJECTION:

DRAWING TITLE  
**Carmen-B\_Datasheet**

This drawing is the property of LEDiL Oy. It may not be reproduced, copied or communicated without a written agreement with LEDiL Oy.

SIZE PART NUMBER  
**A3**

SCALE 1:1 WEIGHT SHEET 1/1

H G B A

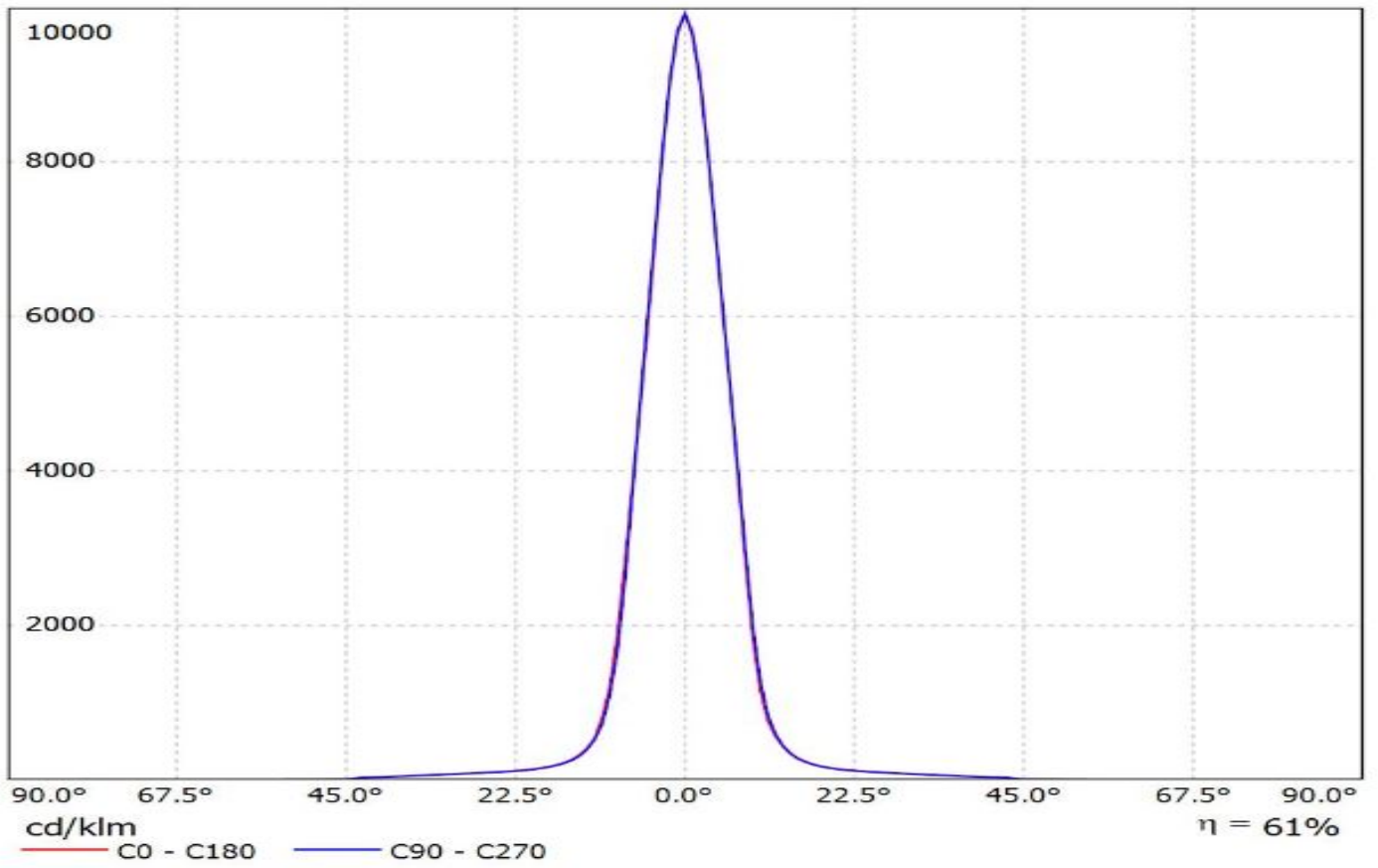
4

3

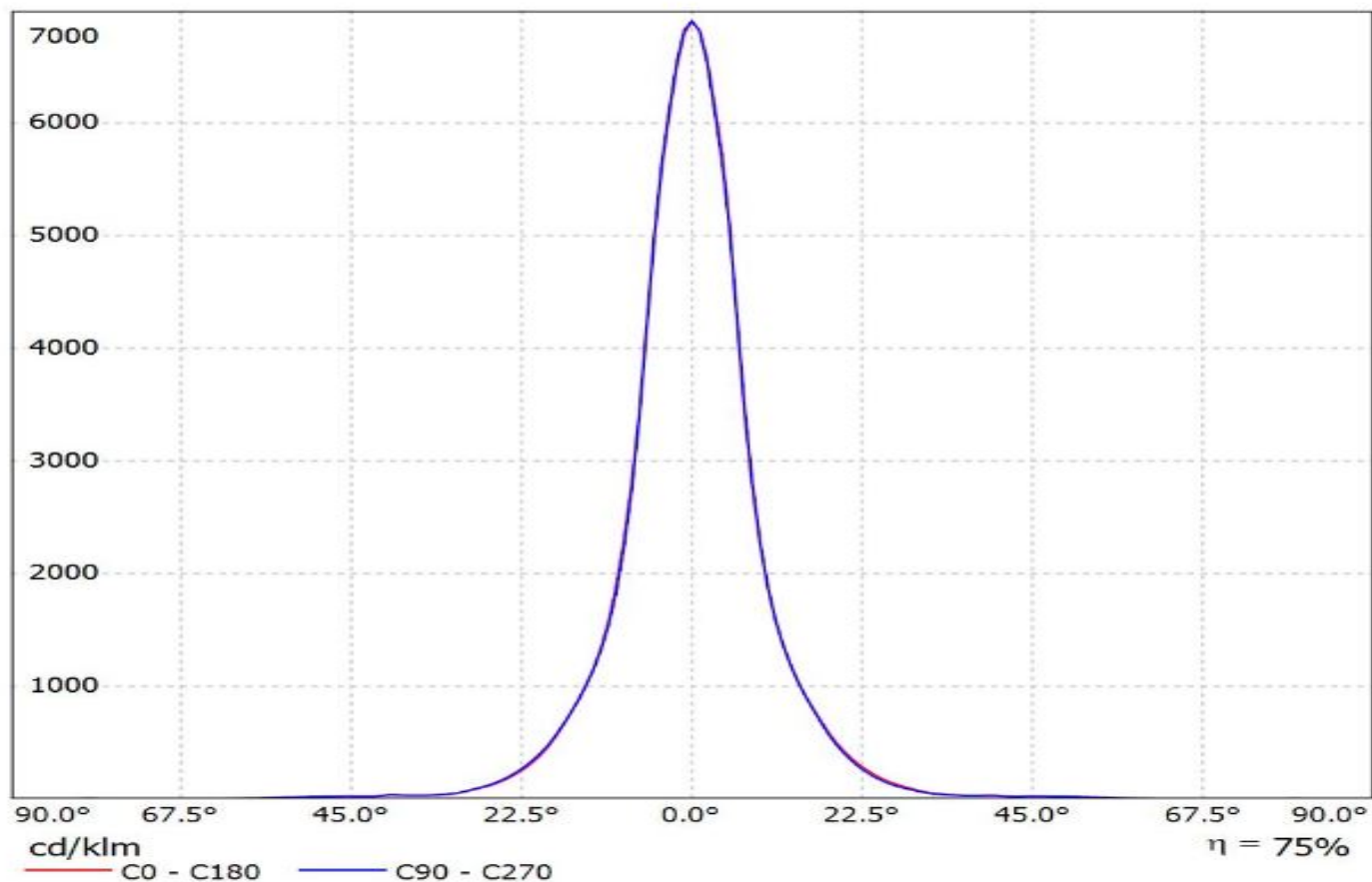
2

1

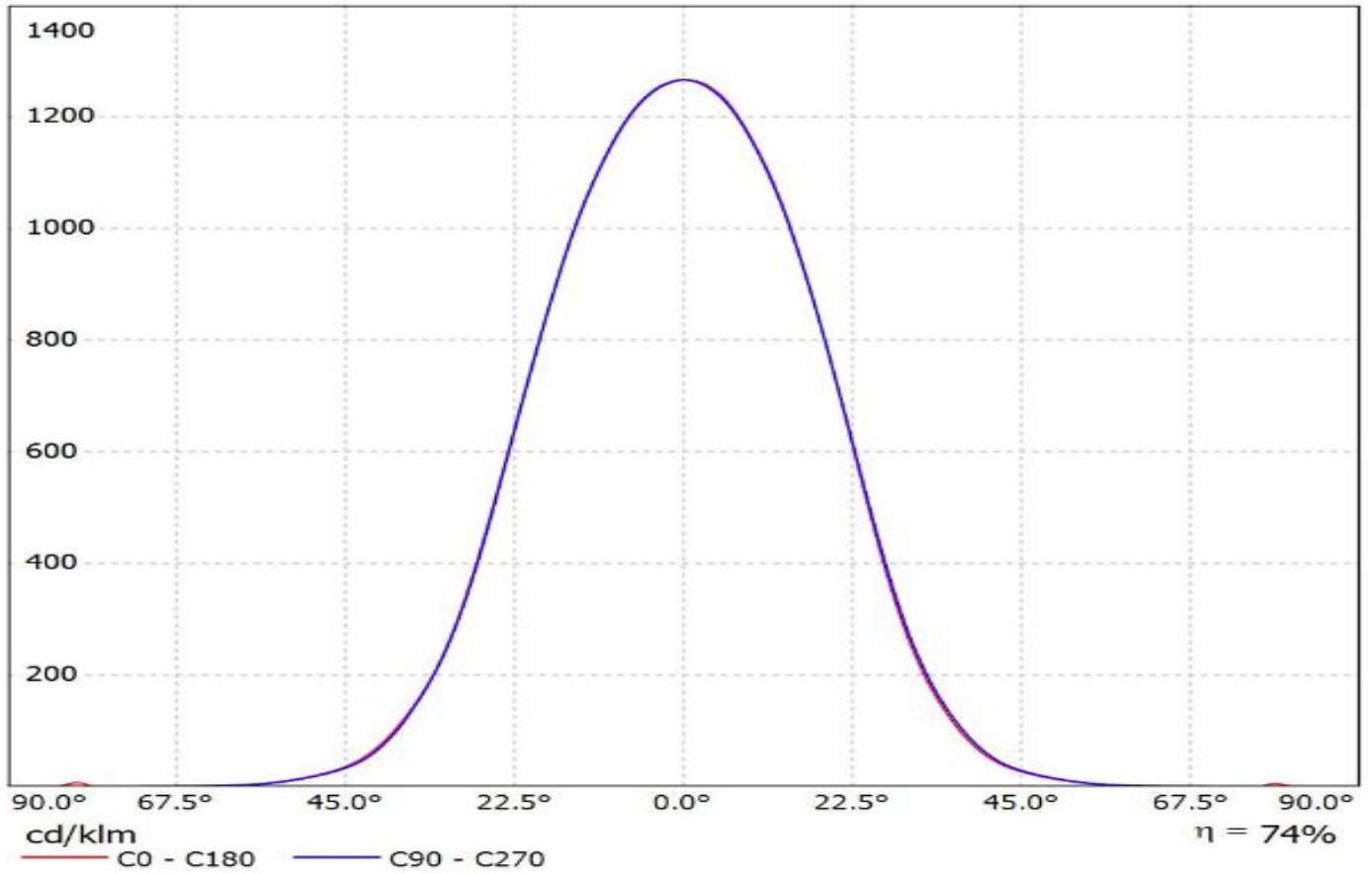
Luminaire: LEDiL Oy CP15916\_CARMEN-RS-C\_(VERO10+F15616)  
Lamps: 1 x Bridgelux\_VERO10\_(30-E1000B-Y2)\_+F15616\_HEKLA-SOCKET-  
F\_820.387lm@250mA\_CCT=3000K\_P=6.48806W\_I=0.25A



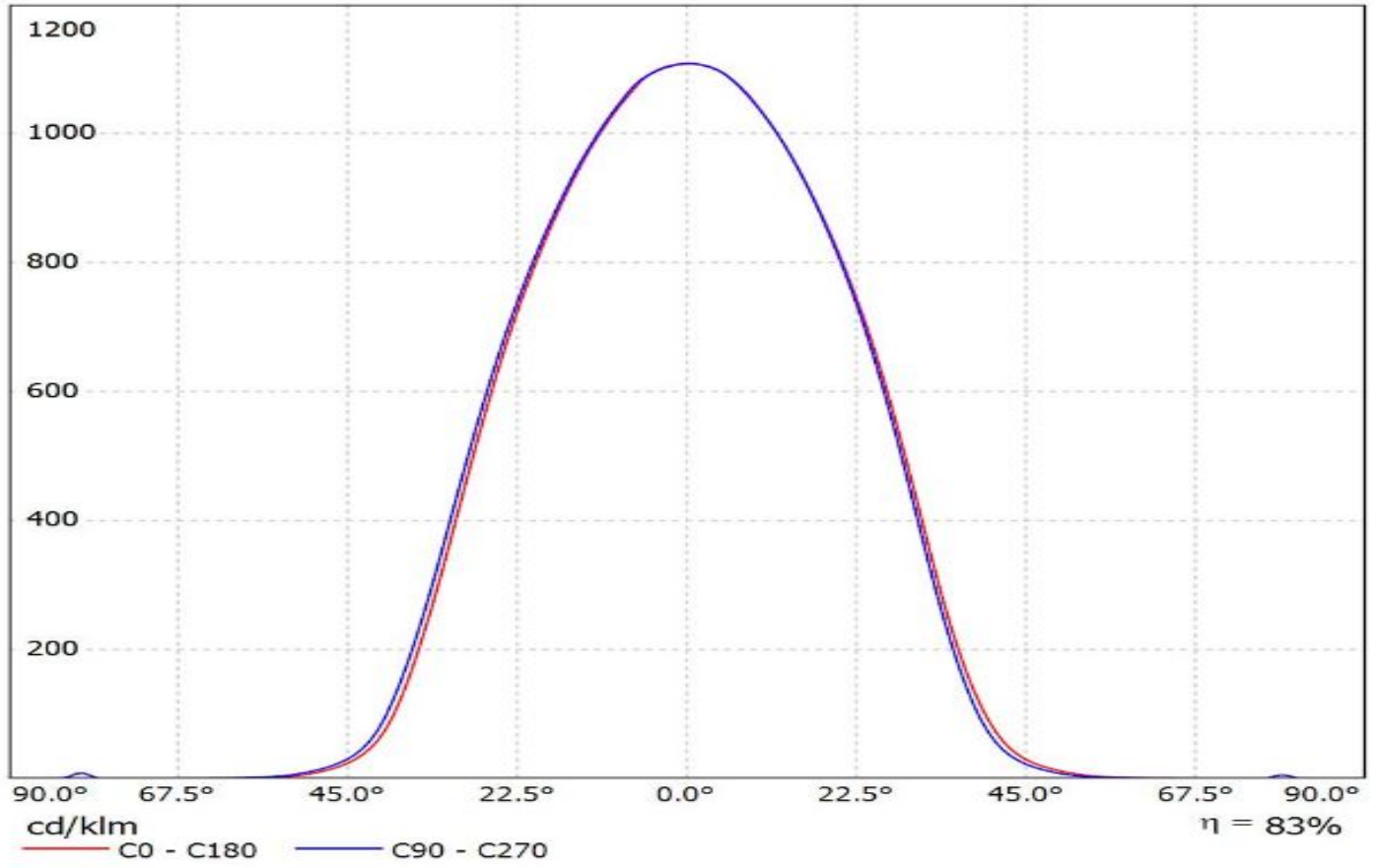
Luminaire: LEDiL Oy CP15774\_CARMEN-S-C\_(VERO10+F15616)  
Lamps: 1 x Bridgelux\_VERO10\_(30-E1000B-Y2)\_+F15616\_HEKLA-SOCKET-  
F\_820.387lm@250mA\_CCT=3000K\_P=6.48806W\_I=0.25A



Luminaire: LEDiL Oy CP15775\_CARMEN-M-C\_(VERO10+F15616)  
Lamps: 1 x Bridgelux\_VERO10\_(30-E1000B-Y2)\_+F15616\_HEKLA-SOCKET-  
F\_820.387lm@250mA\_CCT=3000K\_P=6.48806W\_I=0.25A

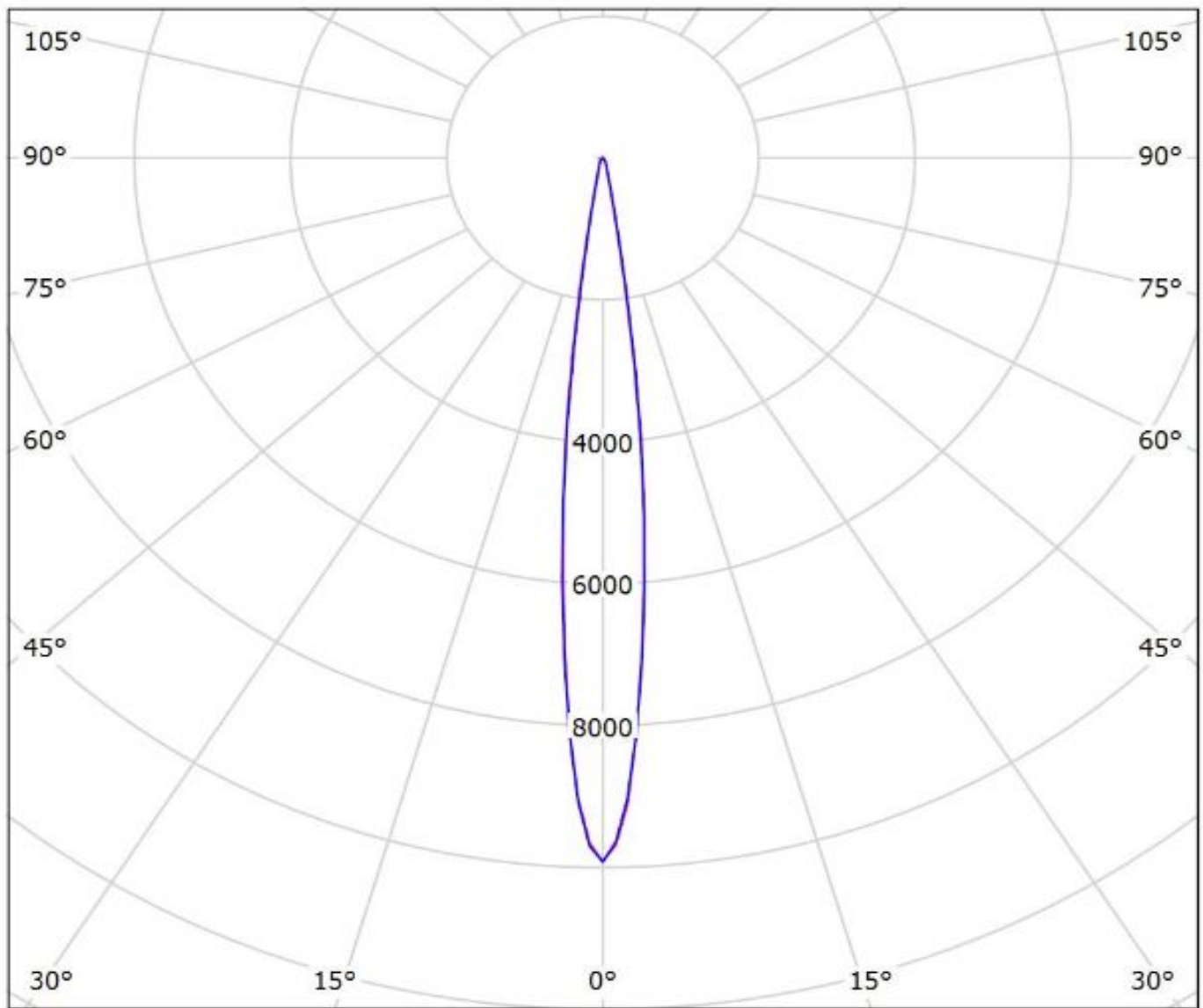


Luminaire: LEDiL Oy CP15776\_CARMEN-W-C\_(VERO10+F15616)  
Lamps: 1 x Bridgelux\_VERO10\_(30-E1000B-Y2)\_+F15616\_HEKLA-SOCKET-  
F\_820.387lm@250mA\_CCT=3000K\_P=6.48806W\_I=0.25A





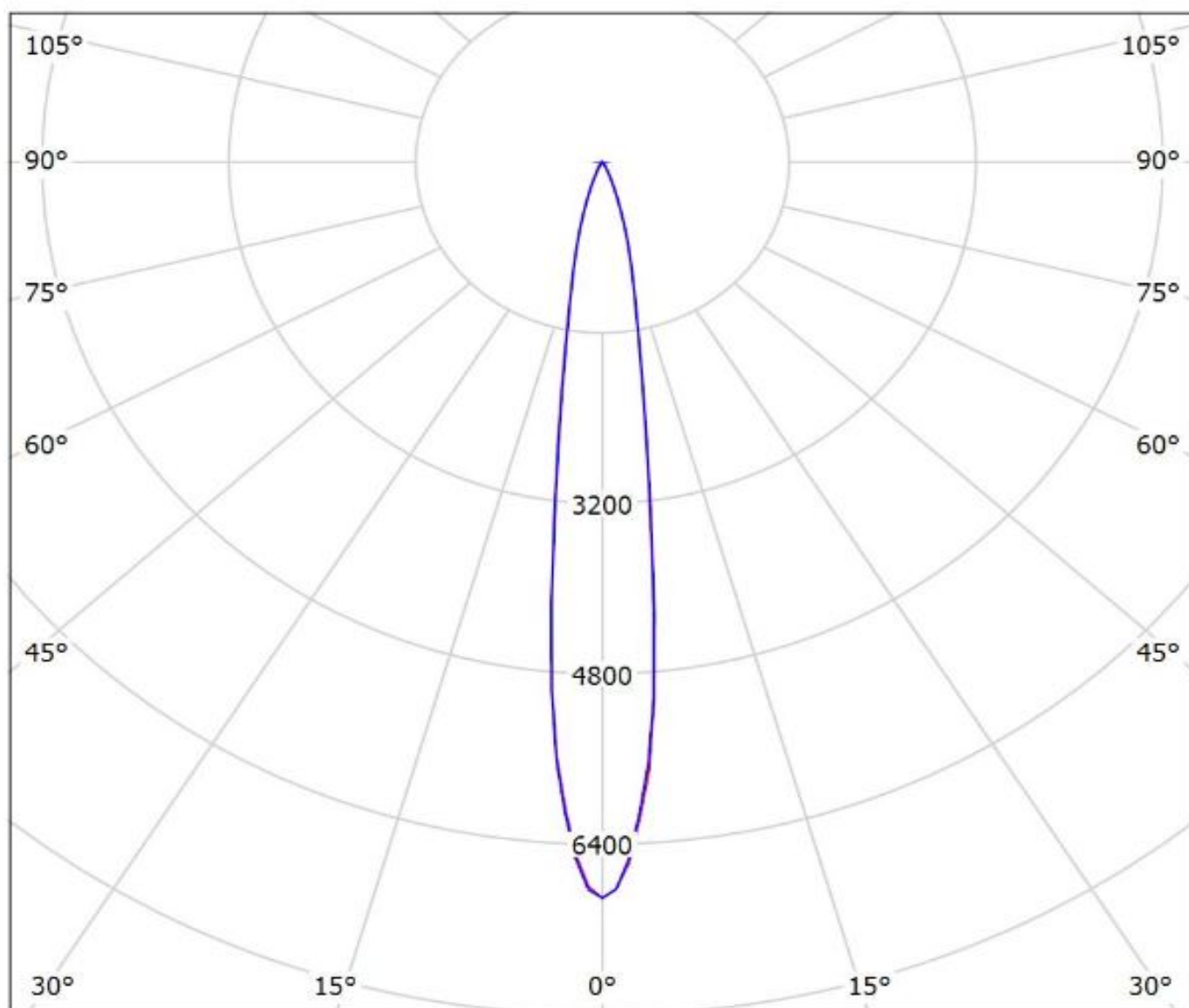
Luminaire: LEDiL Oy CP15916\_CARMEN-RS-C\_(VERO10+F15616)  
Lamps: 1 x Bridgelux\_VERO10\_(30-E1000B-Y2)\_+F15616\_HEKLA-SOCKET-  
F\_820.387lm@250mA\_CCT=3000K\_P=6.48806W\_I=0.25A



cd/klm  
— C0 - C180 — C90 - C270

$\eta = 61\%$

Luminaire: LEDiL Oy CP15774\_CARMEN-S-C\_(VERO10+F15616)  
Lamps: 1 x Bridgelux\_VERO10\_(30-E1000B-Y2)\_+F15616\_HEKLA-SOCKET-  
F\_820.387lm@250mA\_CCT=3000K\_P=6.48806W\_I=0.25A

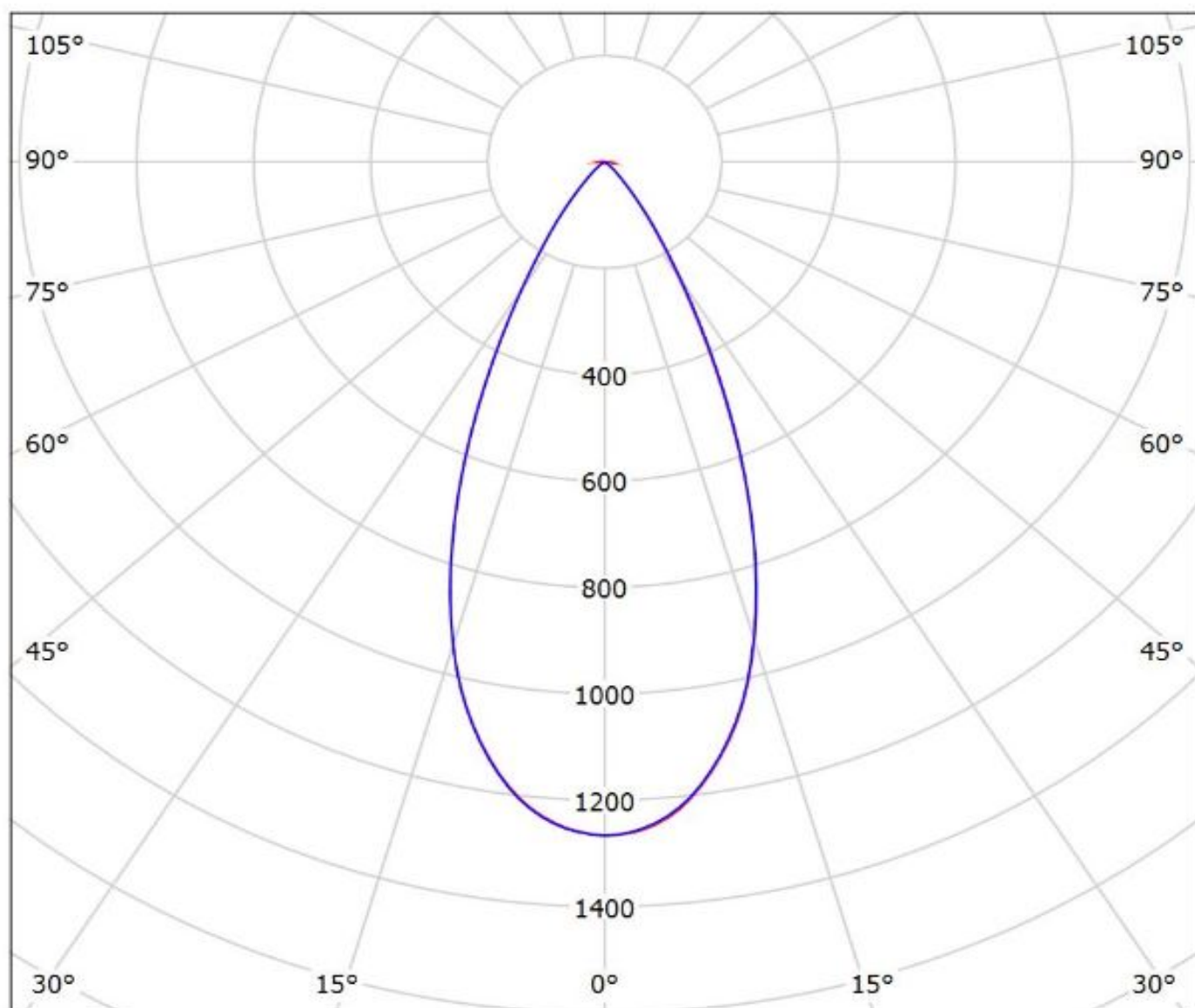


cd/klm

— C0 - C180 — C90 - C270

$\eta = 75\%$

Luminaire: LEDiL Oy CP15775\_CARMEN-M-C\_(VERO10+F15616)  
Lamps: 1 x Bridgelux\_VERO10\_(30-E1000B-Y2)\_+F15616\_HEKLA-SOCKET-  
F\_820.387lm@250mA\_CCT=3000K\_P=6.48806W\_I=0.25A



cd/klm  
— C0 - C180 — C90 - C270

η = 74%

Luminaire: LEDiL Oy CP15776\_CARMEN-W-C\_(VERO10+F15616)  
Lamps: 1 x Bridgelux\_VERO10\_(30-E1000B-Y2)\_+F15616\_HEKLA-SOCKET-  
F\_820.387lm@250mA\_CCT=3000K\_P=6.48806W\_I=0.25A

