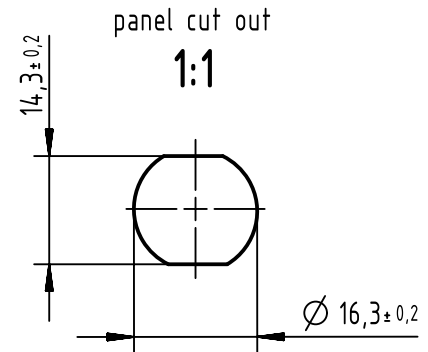
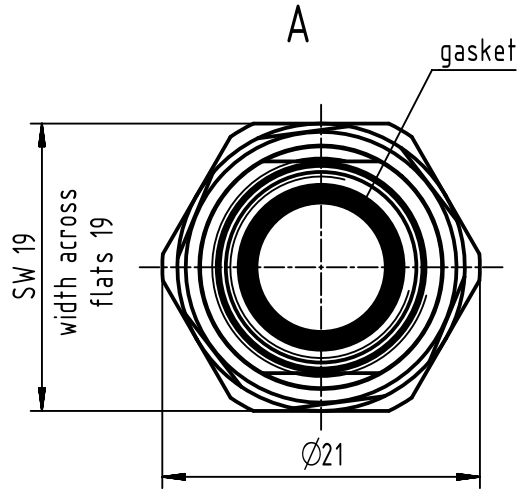
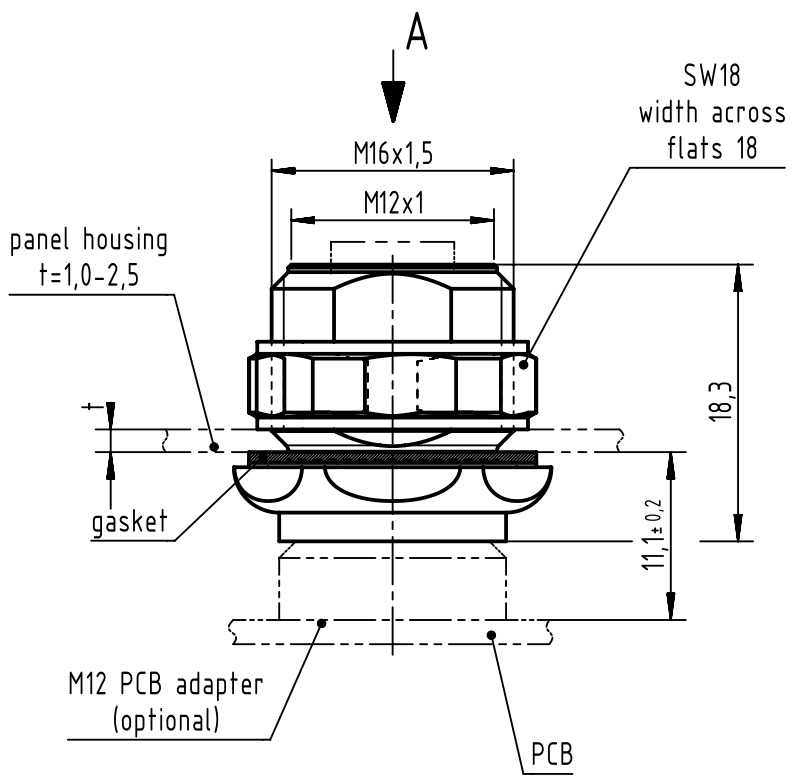


1 2 3 4 5 6

A
B
C
D



	All Dimensions in mm Original Size DIN A4		Scale 2:1	Free size tol.		Ref. Sub.	
		All rights reserved Department EC PD - RO	Created by STOICA	Inspected by AVRAM	Standardisation HOFFMANN	Date 2016-03-24	State Final Release
HARTING Electronics GmbH D-32339 Espelkamp		Title M12 housing back female			Doc-Key / ECM-Nr. 100600236/UGD/002/B 500000102230		
			Type TB	Number 21033022000		Rev. B	Page 1/1