

Pushbutton, 22 mm, round, plastic, blue, pushbutton, flat, momentary contact type, with holder 1 NO, Spring-type terminal



Figure similar

|  |  |
|--|--|
| <b>Product brand name</b>  | SIRIUS ACT   |
| <b>Product designation</b>   | Pushbuttons  |
| <b>Design of the product</b>   | Complete unit  |
| <b>Product type designation</b>  | 3SU1   |
| <b>Manufacturer's article number</b>   |  |
| <ul style="list-style-type: none"> <li>• 1 of supplied contact module</li> <li>• of the supplied holder</li> <li>• of the supplied actuator</li> </ul> | <a href="#">3SU1400-1AA10-3BA0</a><br><a href="#">3SU1500-0AA10-0AA0</a><br><a href="#">3SU1000-0AB50-0AA0</a> |
| <b>Number of command points</b>  | 1  |

| Actuator   |                        |
|--|------------------------|
| <b>Manner of function of the actuating element</b>                           | Momentary contact type |
| <b>Product extension optional Light source</b>                               | No                     |
| <b>Color</b>   |                        |
| <ul style="list-style-type: none"> <li>• of the actuating element</li> </ul> | Blue                   |
| <b>Material of the actuating element</b>                                     | plastic                |
| <b>Shape of the actuating element</b>  | round                  |
| <b>Outer diameter of the actuating element</b>                               | 29.45 mm               |

|   |  |
|---|--|
| Number of contact modules                               | 1  |
| <b>Front ring</b>                                       |  |
| Product component front ring                            | Yes  |
| Design of the front ring                                | Standard   |
| Material of the front ring                              | plastic  |
| Color of the front ring                                 | black  |
| <b>Holder</b>   |  |
| Material of the holder                                  | Plastic  |
| <b>Display</b>  |  |
| Number of LED modules                                   | 0  |
| <b>General technical data</b>                           |  |
| <b>Product function</b>                                 |  |
| • positive opening                                      | No   |
| <b>Product component</b>                                |  |
| • Light source  | No   |
| <b>Insulation voltage</b>                               |  |
| • rated value   | 500 V  |
| <b>Degree of pollution</b>                              | 3  |
| <b>Type of voltage</b>                                  |  |
| • of the operating voltage                              | AC/DC  |
| <b>Surge voltage resistance rated value</b>             | 6 kV   |
| <b>Protection class IP</b>                              | IP66, IP67, IP69(IP69K)                              |
| • of the terminal                                       | IP20   |
| <b>Degree of protection NEMA rating</b>                 | NEMA 1, 2, 3, 3R, 4, 4X, 12, 13                      |
| <b>Shock resistance</b>                                 |  |
| • acc. to IEC 60068-2-27                                | Sinusoidal half-wave 50 g / 11 ms                    |
| • for railway applications acc. to DIN EN 61373         | Category 1, Class B                                  |
| <b>Vibration resistance</b>                             |  |
| • acc. to IEC 60068-2-6                                 | 10 ... 500 Hz: 5g                                    |
| • for railway applications acc. to DIN EN 61373         | Category 1, Class B                                  |
| <b>Operating frequency maximum</b>                      | 3 600 1/h  |
| <b>Mechanical service life (switching cycles)</b>       |  |
| • typical   | 10 000 000   |
| <b>Electrical endurance (switching cycles)</b>          |  |
| • typical   | 10 000 000   |
| <b>Thermal current</b>                                  | 10 A   |
| <b>Continuous current of the C characteristic MCB</b>   | 10 A; for a short-circuit current smaller than 400 A |
| <b>Continuous current of the quick DIAZED fuse link</b> | 10 A   |
| <b>Continuous current of the DIAZED fuse link gG</b>    | 10 A   |
| <b>Operating voltage</b>                                |  |
| • at AC   |  |

|                        |             |
|------------------------|-------------|
| — at 50 Hz rated value | 5 ... 500 V |
| — at 60 Hz rated value | 5 ... 500 V |
| • at DC                |             |
| — rated value          | 5 ... 500 V |

## Power Electronics

|                            |  |
|----------------------------|--|
| <b>Contact reliability</b> | One maloperation per 100 million (17 V, 5 mA), one maloperation per 10 million (5 V, 1 mA) |
|----------------------------|--|

## Auxiliary circuit

|  |              |
|--|--------------|
| <b>Design of the contact of auxiliary contacts</b> | Silver alloy |
|--|--------------|

|                              |   |
|------------------------------|---|
| <b>Number of NO contacts</b> |   |
| • for auxiliary contacts     | 1 |

## Connections/Terminals

|                                      |                      |
|--------------------------------------|----------------------|
| <b>Type of electrical connection</b> |                      |
| • of modules and accessories         | Spring-type terminal |

|   |                                     |
|---|-------------------------------------|
| <b>Type of connectable conductor cross-sections</b> |                                     |
| • solid without core end processing                 | 2x (0.25 ... 1.5 mm <sup>2</sup> )  |
| • finely stranded with core end processing          | 2x (0.25 ... 0.75 mm <sup>2</sup> ) |
| • finely stranded without core end processing       | 2x (0.25 ... 1.5 mm <sup>2</sup> )  |
| • at AWG conductors                                 | 2x (24 ... 16)                      |

|   |               |
|---|---------------|
| <b>Tightening torque of the screws in the bracket</b> | 1 ... 1.2 N·m |
|---|---------------|

## Ambient conditions

|                            |                |
|----------------------------|----------------|
| <b>Ambient temperature</b> |                |
| • during operation         | -25 ... +70 °C |
| • during storage           | -40 ... +80 °C |

|   |  |
|---|--|
| Environmental category during operation acc. to IEC 60721 | 3M6, 3S2, 3B2, 3C3, 3K6 (with relative air humidity of 10 ... 95 %, no condensation in operation permitted for all devices behind front panel) |
|---|--|

## Installation/ mounting/ dimensions

|                              |                      |
|------------------------------|----------------------|
| <b>Mounting type</b>         | front mounting       |
| • of modules and accessories | Front plate mounting |

|               |       |
|---------------|-------|
| <b>Height</b> | 40 mm |
|---------------|-------|

|              |       |
|--------------|-------|
| <b>Width</b> | 30 mm |
|--------------|-------|

|  |       |
|--|-------|
| <b>Shape of the installation opening</b> | round |
|--|-------|

|                          |         |
|--------------------------|---------|
| <b>Mounting diameter</b> | 22.3 mm |
|--------------------------|---------|

|  |        |
|--|--------|
| <b>Positive tolerance of installation diameter</b> | 0.4 mm |
|--|--------|

|                        |       |
|------------------------|-------|
| <b>Mounting height</b> | 11 mm |
|------------------------|-------|


|                           |         |
|---------------------------|---------|
| <b>Installation width</b> | 29.5 mm |
|---------------------------|---------|

|                           |         |
|---------------------------|---------|
| <b>Installation depth</b> | 49.7 mm |
|---------------------------|---------|

## Certificates/approvals

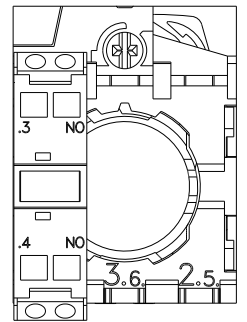
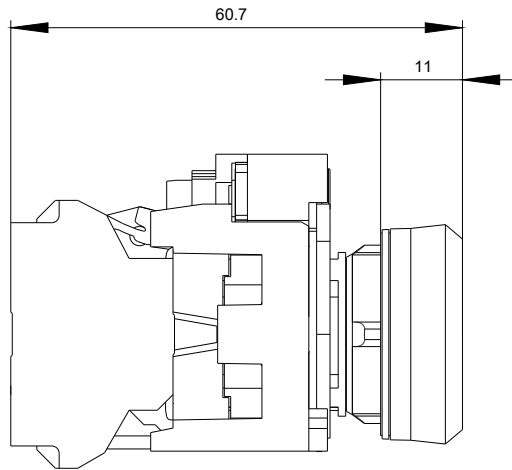
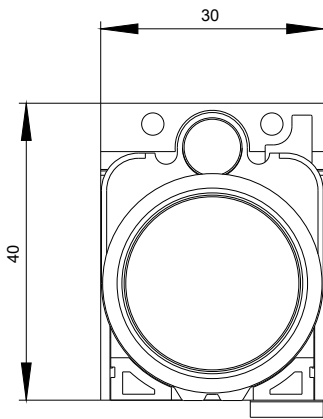
|  |  |   |   |   |  |
|--|--|---|---|---|--|
| General Product Approval   |  |   |   | Declaration of Conformity   | Test Certificates                        |
| <br>CCC | <br>CSA | <br>UL |  | <br>EG-Konf. | <a href="#">Special Test Certificate</a> |

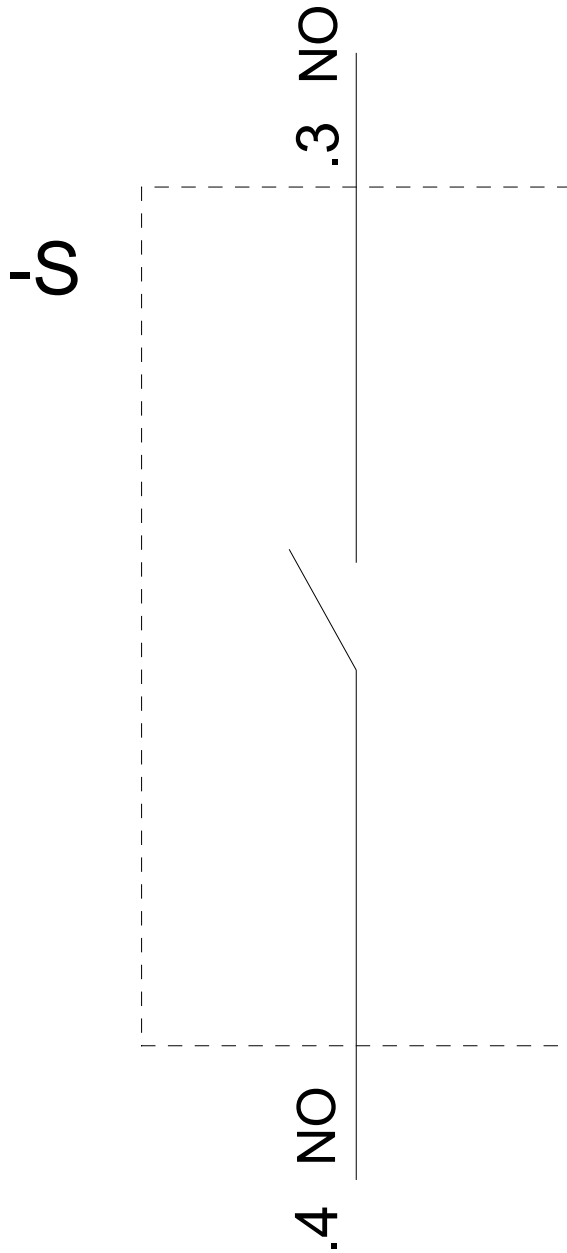
|  |  |  |  |   |   |
|--|--|--|--|---|---|
| Test Certificates                                  | Marine / Shipping  |  |  |   |   |
| <a href="#">Type Test Certificates/Test Report</a> | <br>ABS | <br>LRS | <br>PRS | <br>RINA | <br>RMRS |

|   |                              |
|---|------------------------------|
| Marine / Shipping   | other                        |
|  | <a href="#">Confirmation</a> |

Further information

- Information- and Downloadcenter (Catalogs, Brochures,...)**  
<http://www.siemens.com/industrial-controls/catalogs>
- Industry Mall (Online ordering system)**  
<https://mall.industry.siemens.com/mall/en/en/Catalog/product?mlfb=3SU1100-0AB50-3BA0>
- Cax online generator**  
<http://support.automation.siemens.com/WW/CAXorder/default.aspx?lang=en&mlfb=3SU1100-0AB50-3BA0>
- Service&Support (Manuals, Certificates, Characteristics, FAQs,...)**  
<https://support.industry.siemens.com/cs/ww/en/ps/3SU1100-0AB50-3BA0>
- Image database (product images, 2D dimension drawings, 3D models, device circuit diagrams, EPLAN macros, ...)**  
[http://www.automation.siemens.com/bilddb/cax\\_de.aspx?mlfb=3SU1100-0AB50-3BA0&lang=en](http://www.automation.siemens.com/bilddb/cax_de.aspx?mlfb=3SU1100-0AB50-3BA0&lang=en)





last modified:

12/12/2018