



ENGLISH

## Datasheet

# ABS Instrument Case, Grey, 190 x 100 x 60mm

RS Stock number 219-396

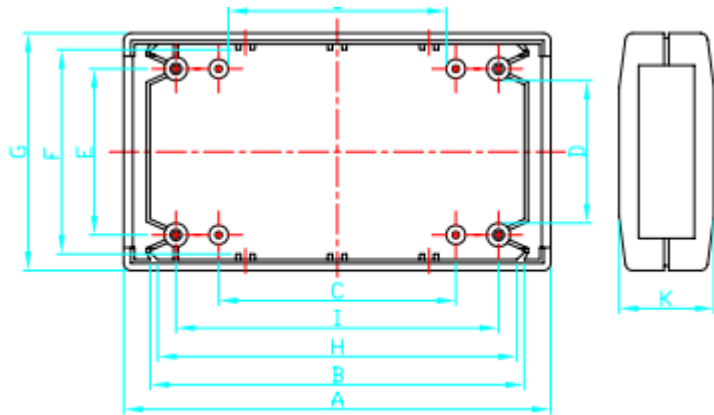
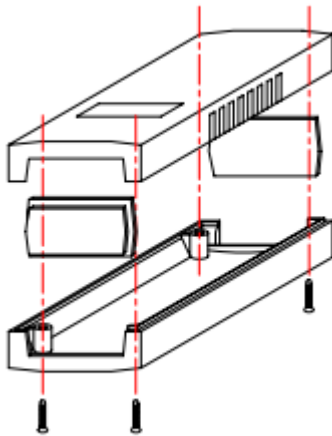


## Description:

Plastic enclosure, dark grey colour, made of heat resistant high-impact plastic UL-94V0. Provides protection against dust and moisture according to the standard IP54. Printed circuit boards may be horizontally or vertically mounted.

## Specifications:

|  |  |
|--|--|
| Colour:  | Dark grey                                    |
| Body Material:   | ABS  |
| External Dimensions:                                   | 190 (length) x 100 (width) x 60 (height)mm   |
| IP Rating:   | IP54   |
| Possibility of installation of printed circuit boards: | Horizontally and vertically, racks and rails |



Dimensions: mm

|   |     |
|---|-----|
| A | 190 |
| B | 180 |
| C | 150 |
| D | 65  |
| E | 75  |
| F | 83  |
| G | 100 |
| H | 176 |
| I | 168 |
| J | 140 |
| K | 60  |