

OVERALL ASSEMBLY DIMENSIONS:

EXTERNAL - 48.5 x 23.5 x 16.25

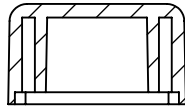
INTERNAL - 45 x 20 x 11.25

SELF TAPPING SCREW

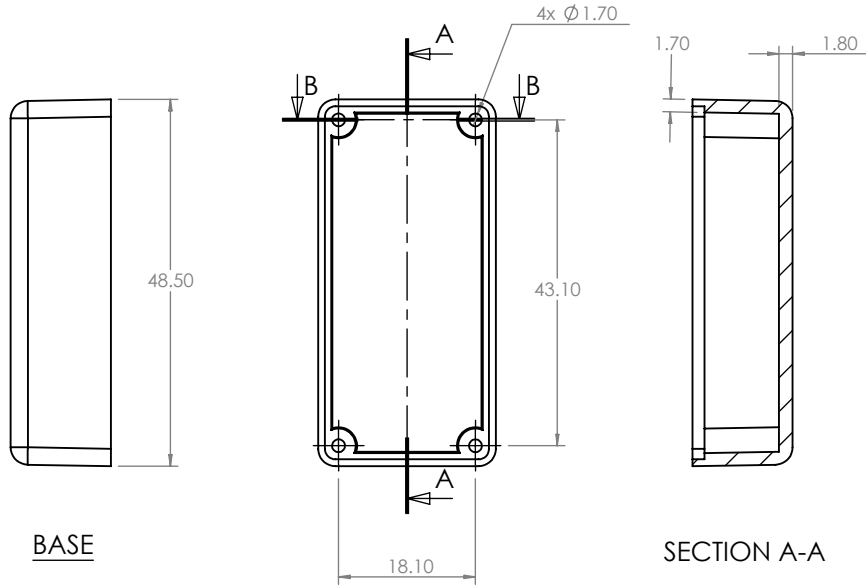
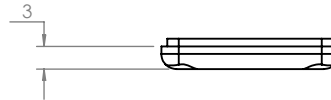
LID

BASE

ISO VIEW  
1:2

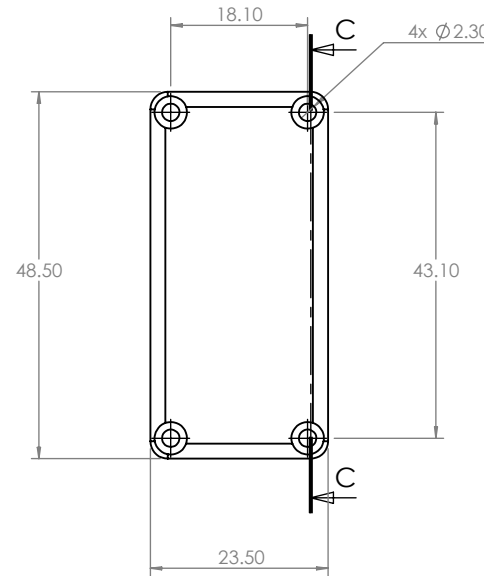


SECTION B-B



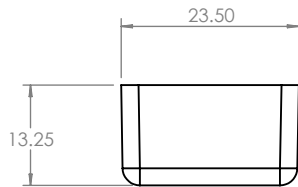
BASE

SECTION A-A



LID

SECTION C-C



				UNLESS OTHERWISE SPECIFIED: DIMENSIONS ARE IN MILLIMETERS		DO NOT SCALE DRAWING	REVISION. 0
				FINISH. LIGHT SPARK		TITLE: ASSEMBLY DRG FOR RX2KL05	
JAMES CARTER RD, MILDENHALL, SUFFOLK. IP28 7DE TEL: 01 638 716101 FAX: 01 638 716554 EMAIL: SALES@CAMDENBOSS.COM WEB: WWW.CAMDENBOSS.COM				MATERIAL. ABS		DWG NO. RX2KL05	A4
DRAWN	S.HARDINGE	SJH	12/03/07	PROJECTION.		SCALE. 1 : 1	SHEET 1 OF 1
CHKD	-	-	-				