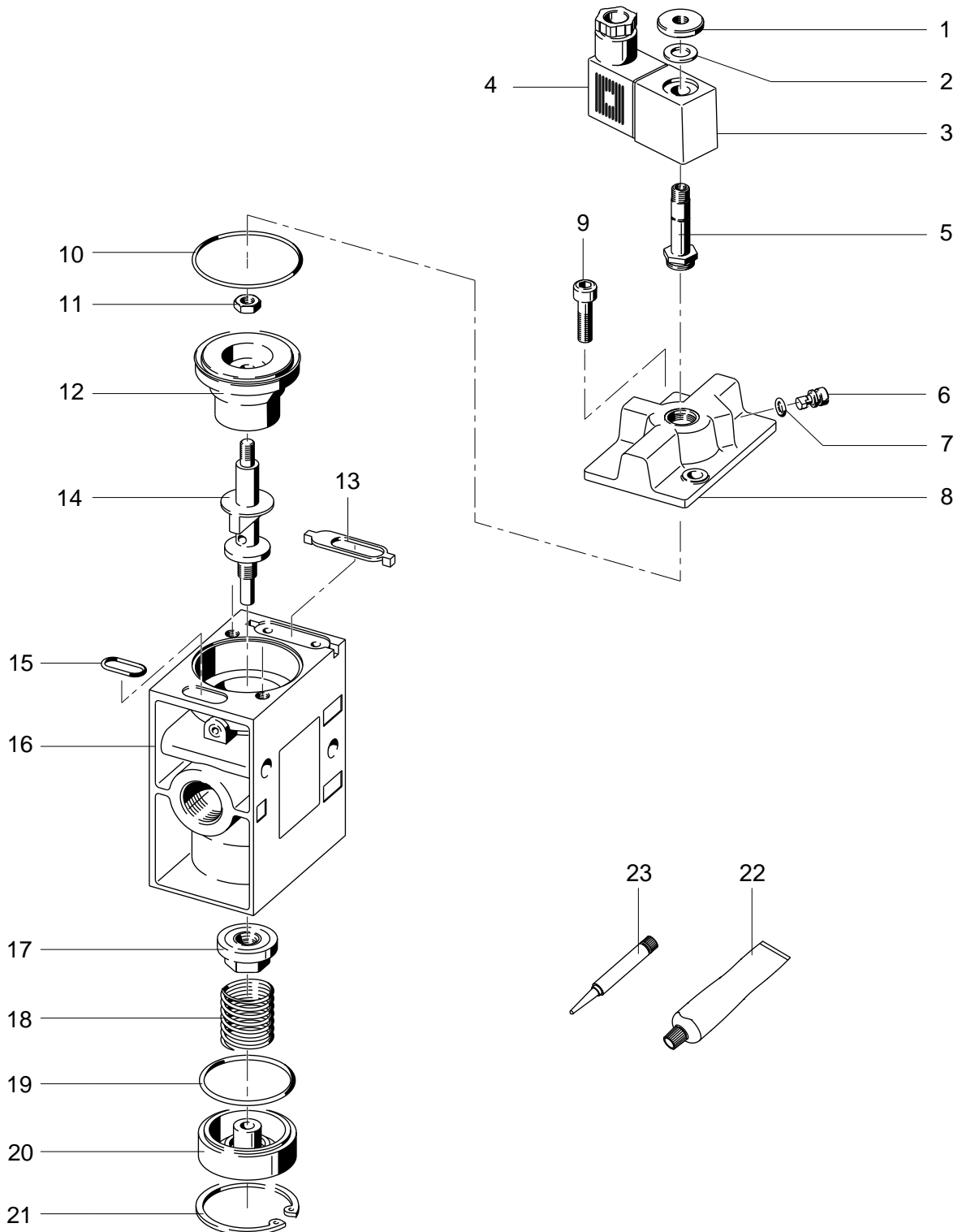


7884 MOFH-3-1/2 Solenoid valve - Series: All



7884 MOFH-3-1/2 Solenoid valve - Series: All

Pos.	Part no.	Type	Note	Qty.	Unit
A	104208	MCH-,VL/O-3-1/2 Set of wearing parts	Spare parts: 7, 10, 12, 13, 15, 17, 19, 22	1	PC
1	209407	M 8X0,75 FUER D03 Knurled nut		1	PC
2	200589	A 8 DIN 137 Spring washer		1	PC
3	4526	MSFG-12 Solenoid coil	Please order this position from the catalogue as an accessory.	1	PC
4	208281	MSSD-F Socket		1	PC
5	101006	KPL.M.ANKER O.SPULE Armature tube		1	PC
6	662756	MFH Bolt		1	PC
7		B-5X1,5-N-NBR75 O-ring ISO3601	Not available separately, see position A Grease using during assembly. See position 22	1	PC
8		MFH-3-1/2 VOLLST. Cover	Not available	1	PC
9	209354	ISO 4762-M6X14-10.9 Socket head screw		2	PC
10		B-45X1,5-N-NBR75 O-ring ISO3601	Not available separately, see position A Grease using during assembly. See position 22	1	PC
11	200718	DIN 934-M6-8 Hex nut	Tightening torque 1.5 Nm / 1.1 lbf ft	1	PC
12		MCH-5-1/2 Piston	Not available separately, see position A Grease using during assembly. See position 22	1	PC
13		MFH-3-1/2 Seal	Not available separately, see position A	1	PC
14	217481	MFH-3-1/2 Shaft		1	PC
15		B-15X1,5-N-NBR75 O-ring ISO3601	Not available separately, see position A Grease using during assembly. See position 22	1	PC
16		VL/O-3-1/2 Housing	Not available	1	PC
17		MCH-5-1/2 Sealing disc	Not available separately, see position A Tightening torque 1.5 Nm / 1.1 lbf ft	1	PC
18	213292	MFH-5-1/2 Compression spring		1	PC
19		B-39X2-N-NBR75 O-ring ISO3601	Not available separately, see position A Grease using during assembly. See position 22	1	PC
20	691817	MFH-3-1/2 Cover		1	PC
21	201030	DIN 472-42X1,75 Retaining ring		1	PC
22	397446	LUB-KB2-SILIKONFREI-20ML Lubricating grease		1	PC
23	8181256	CYBERBOND TM44 TB1ML Adhesive bonding agent		1	PC