

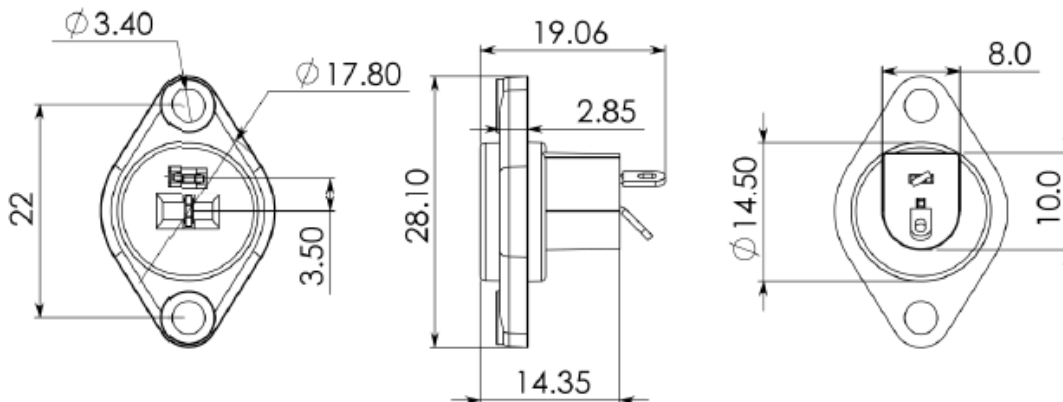
# Datasheet

## 2 Pole Female Straight DIN Connector

RS Stock number [491-128](#)



### Drawing (mm):



### Specifications:

Rating:	100V AC 1A Max.
Contact Resistance:	30 $\Omega$ Max.
Insulation Resistance:	Min. 100 Meg $\Omega$ @500 V DC
Voltage Withstand:	250 AC R.M.S. for 1 minute
Housing:	Bakelite
Terminals:	Brass Silver Ptd.