

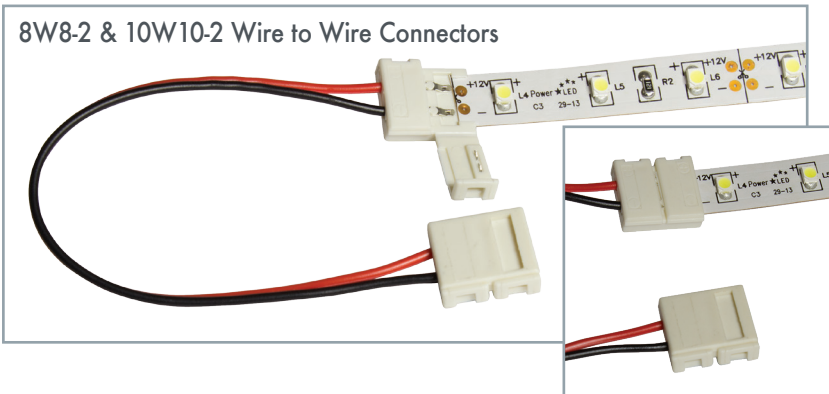
Lighting Accessories - Solderless Connectors for LED Tape

A wide variety of reliable, high-quality solderless connectors to give you easy solutions for connecting LED Flexi Strip Tapes, or terminating cut ends. Connecting your LED Flexi Strip Tape is now quick and easy without the need to solder.

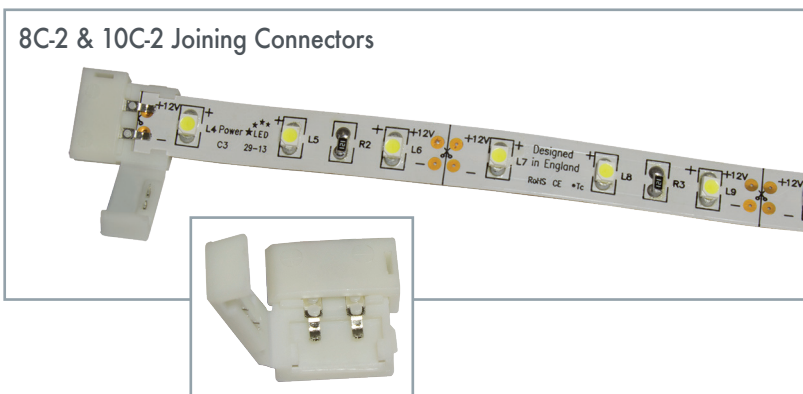
NEW!



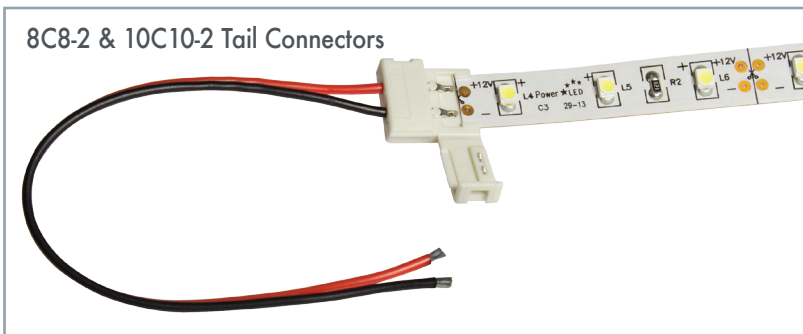
8W8-2 & 10W10-2 Wire to Wire Connectors



8C-2 & 10C-2 Joining Connectors



8C8-2 & 10C10-2 Tail Connectors



*To maintain IP65 water proofing, adequate sealing should be applied around the connections.

Product Features

- ★ Quick, clean and easy way to join and terminate LED Flexi strip
- ★ Suitable for use with use with 8mm & 10mm PCBs
- ★ Ideal for IP20 rated ; also suitable for IP65* tape where PV coating has been removed from solder joints
- ★ Tail cable, joining connector or wire connector for multiple configuration options
- ★ Suitable for 3528, 5050 & 2835 single colour LED strip

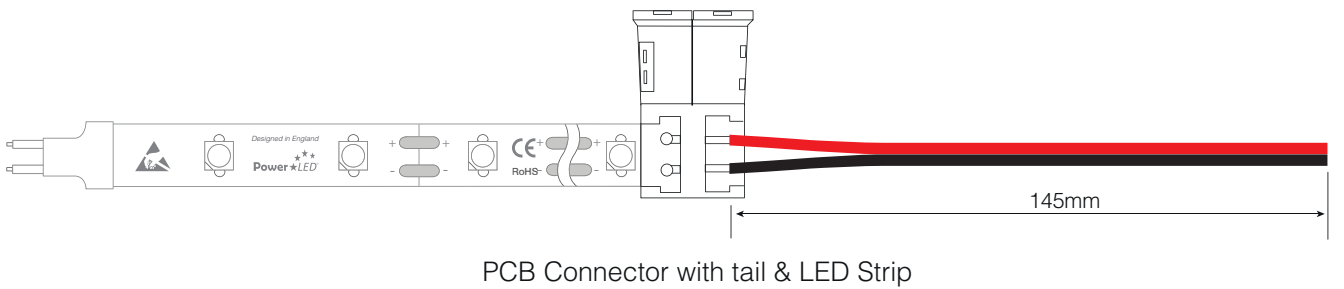
Lighting Accessories - Solderless Connectors for LED Tape

NEW!

8C8-2 & 10C10-2 Solderless Tail Connectors

Part Code	8C8-2	10C10-2
Description	8mm pcb tail connector 5 pcs per pack	10mm pcb tail connector 5 pcs per pack

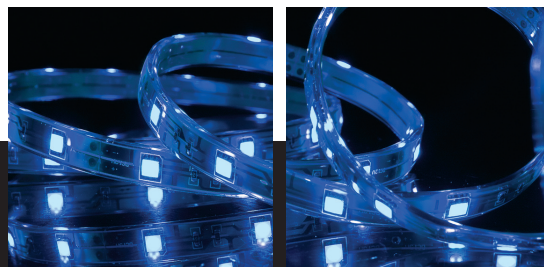
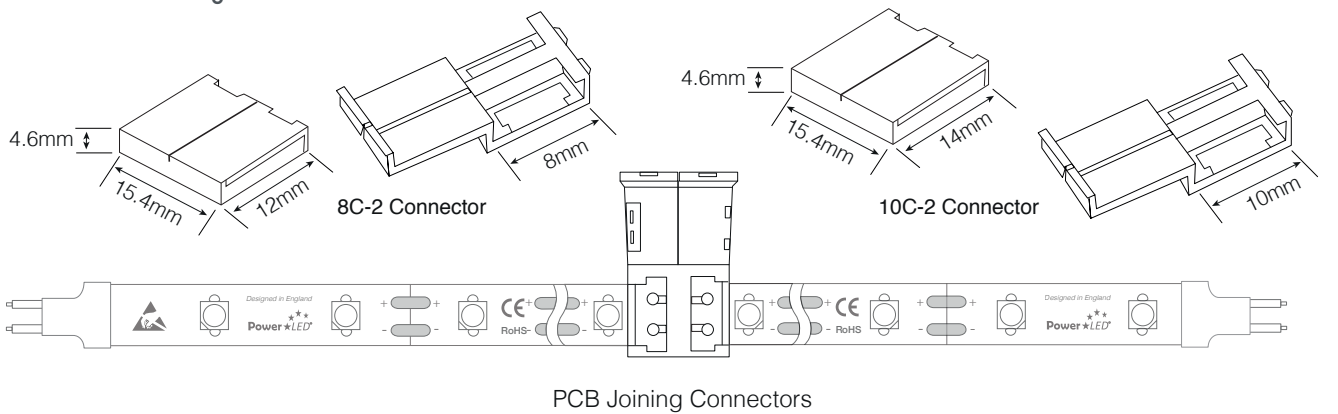
8C8-2 & 10C10-2 Tail Connectors



8C-2 & 10C-2 Solderless Joining Connectors

Part Code	8C-2	10C-2
Description	8mm pcb joining connector 5 pcs per pack	10mm pcb joining connector 5 pcs per pack

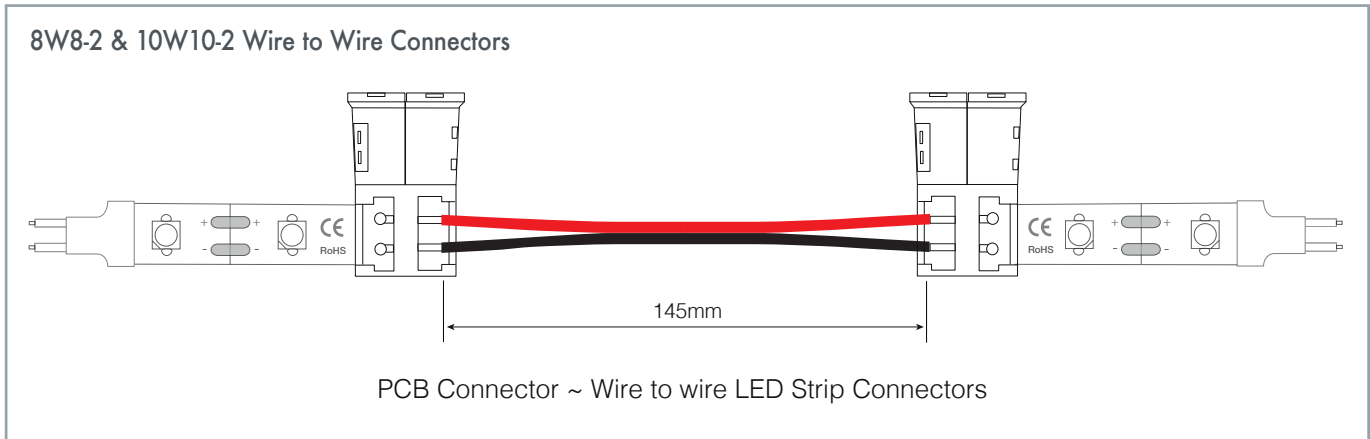
8C-2 & 10C-2 Joining Connectors



Lighting Accessories - Solderless Connectors for LED Tape

8W8-2 & 10W10-2 Solderless Wire to Wire Connectors

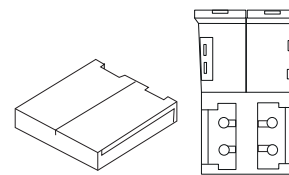
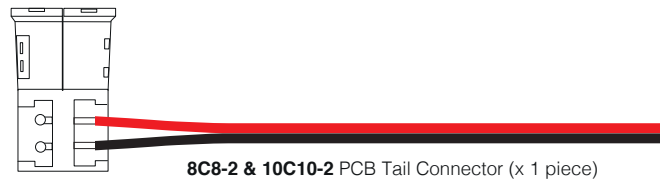
Part Code	8W8-2	10W10-2
Description	8mm pcb wire to wire joining connector 5 pcs per pack	10mm pcb wire to wire joining connector 5 pcs per pack



88-MP & 1010-MP Solderless Connector Multi-Packs

Part Code	88-MP	1010-MP
	8mm pcb multi pack (3pcs) 1 x each piece 8mm connectors	10mm pcb multi pack (3pcs) 1 x each piece 10mm connectors

88-MP & 1010-MP Connector multi pack



8C-2 & 10C-2 PCB Joining Connector (x 1 piece)



8W8-2 & 10W10-2 PCB Wire to wire Connector (x 1 piece)

