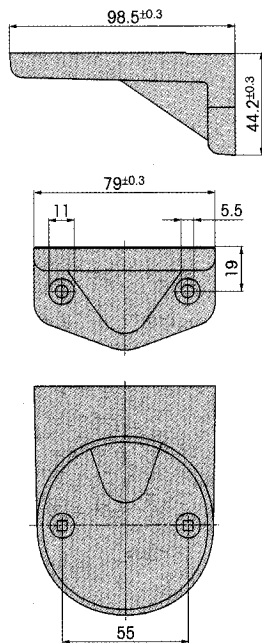


Technical Diagrams

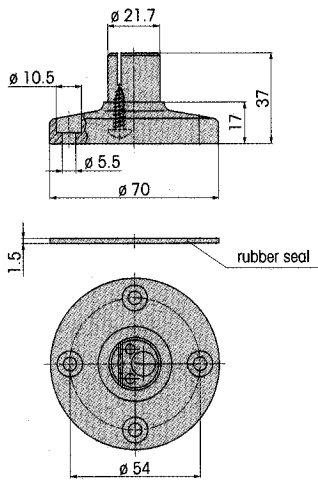
826/827/828 Special parts



975 826 05

Bracket

826/827/828 Special parts



975 840 90

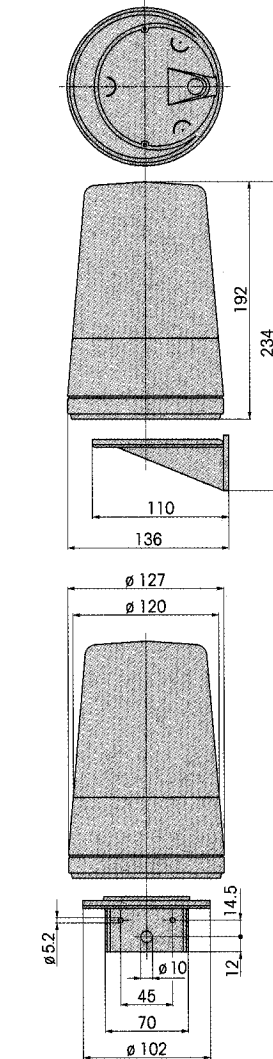
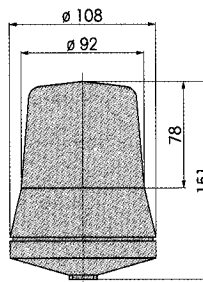
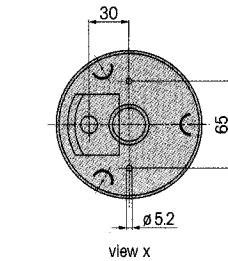
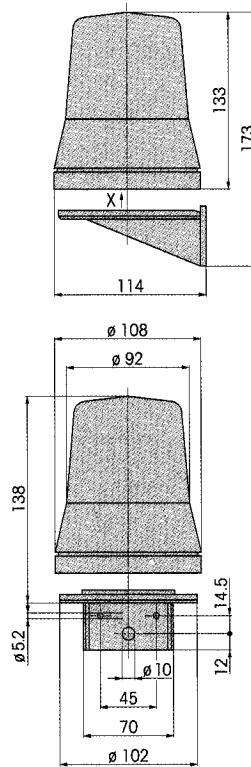
Base

830/834/835

Flashing Beacon

837

Double Flashing Beacon



839

Double Flashing Beacon

