



ENGLISH

M12 Connectivity

4 Port Distribution Box - 4 x M12, 5 pole (2 signals per port) with integral over-moulded home run cable

Stock No's 174-7886, 174-7887



Primary Features

LED indication for easy diagnostics

IP65, IP67 when leads inserted and tightened

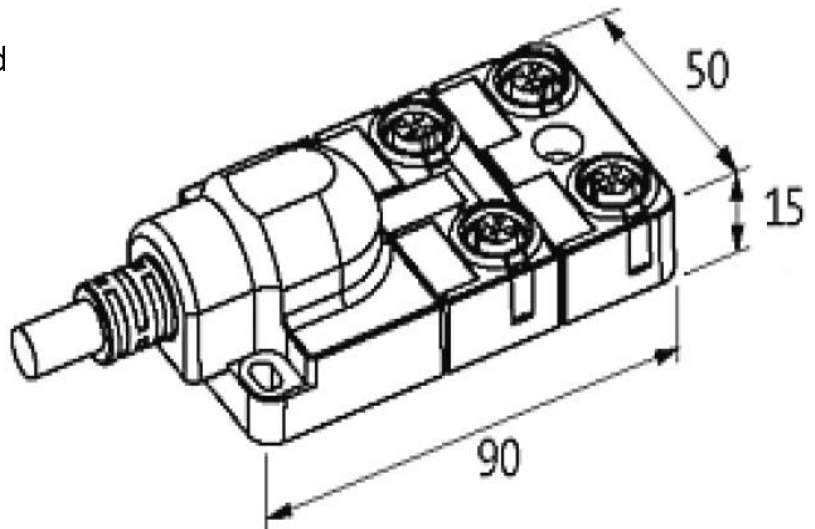
Integral over-moulded home run cable

UL and CSA approved

Available in home run cable lengths:

5 Metres (RS 174-7886)

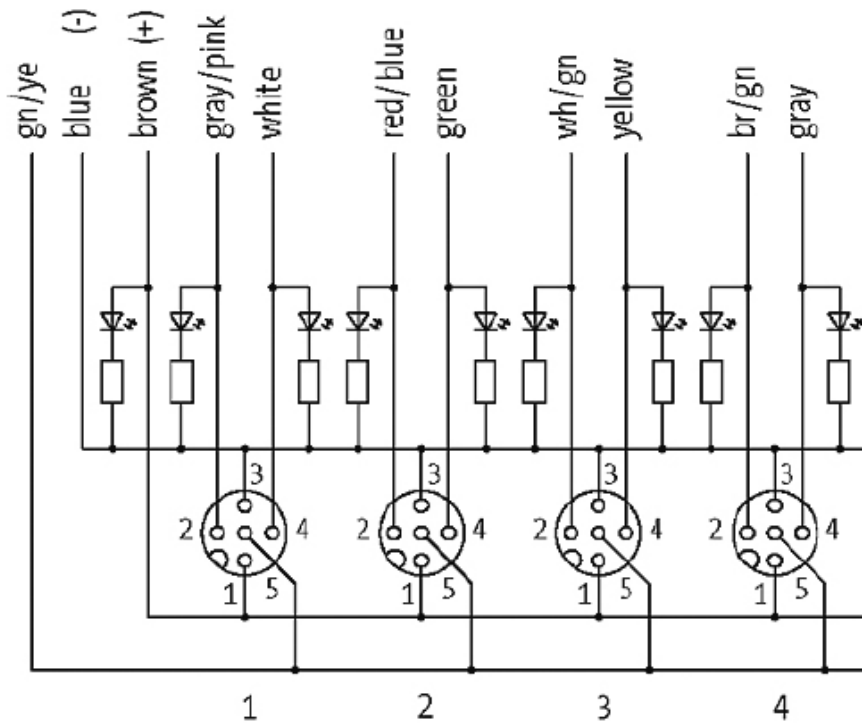
10 Metres (RS 174-7887)



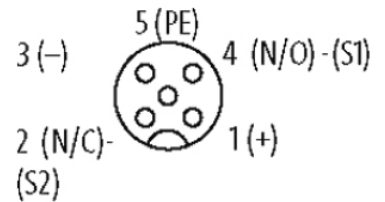


Wiring Schematic

174-7886, 174-7887



M12-Females 5-pole



for 2 signals per port

Contact Layout

PIN 1	(+)
PIN 2	(NC)/(S2)
PIN 3	(-)
PIN 4	(NO)/(S1)
PIN 5	(Earth)
LED display	LED (green): Power / LED (yellow): (S1) / LED (white): Signal (S2)

Cable

Cable number	363
No./diameter of wires	8×0.34 + 3×0.75 mm ²
Wire isolation	PVC
C-track properties	2 Mio.



Cable *continued*

174-7886, 174-7887

Jacket Color	gray
Material (jacket)	PUR/PVC (UL/CSA)
Outer Ø	8.1 mm ±5%
Bend radius (moving)	10 × outer Ø
Temperature range (fixed)	-30...+80 °C
Temperature range (mobile)	-5...+70 °C
Color (jacket)	gray
Bend radius (fixed)	10 × outer Ø

Technical Data

Operating voltage	24 V DC
Operating current per contact	max. 4 A
Total current	max. 8 A
Locking of ports	Screw thread M12 × 1 mm
Protection	IP65/IP67
Housing	Plastic, flame retardant
Temperature range	-20...+70 °C, depending on cable quality