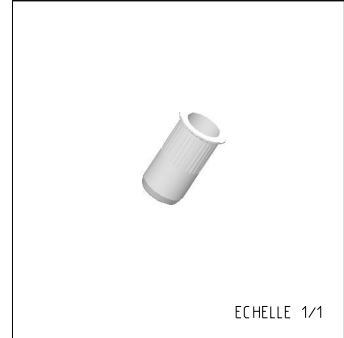
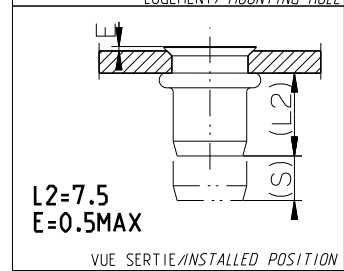
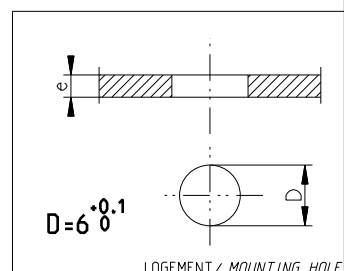
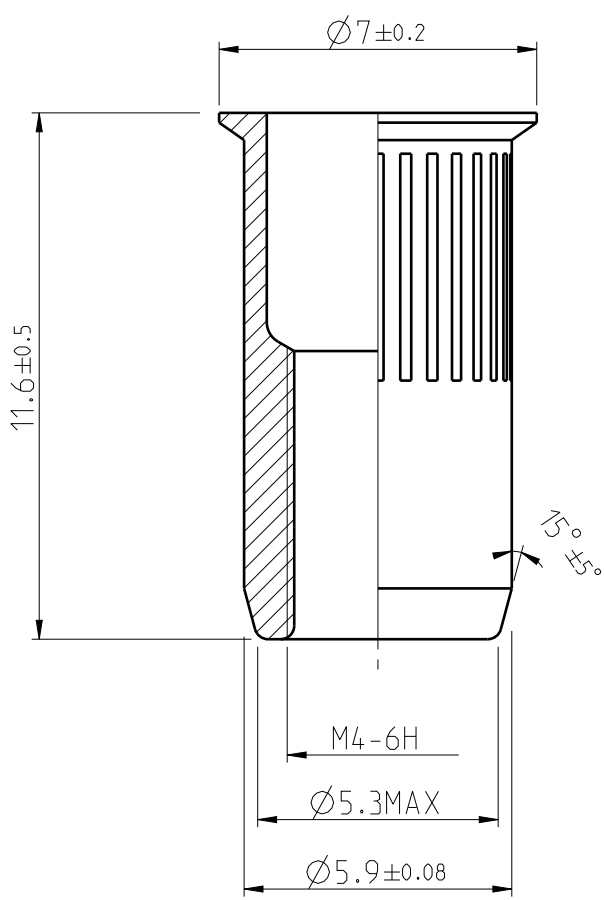


THIS DRAWING AND THE INTELLECTUAL PROPERTY RIGHTS ARE THE PROPERTY OF BÖLLHOFF-CAD SYSTEM : PRO-ENGINEER WILDPIRE 3.

CE PLAN APPARTIENT A LA SOCIETE BÖLLHOFF.IL NE PEUT ETRE COPIE, REPRODUIT OU COMMUNIQUE A DES TIERS SANS AUTORISATION.SYSTEME CAD : PRO-ENGINEER WILDPIRE 3.

HIERARCHISATION/ CLASSIFICATION : △SR CpK ≥ 1.66. △1 CpK ≥ 1.47. △2 CpK ≥ 1.33. △3 CpK ≥ 1. △GC GAUGE CONTROL / CONTROLE AUX ATTRIBUTS.
 AUTRES DIMENSIONS NON SUJETTES A CAPABILITE/OTHER DIMENSIONS NOT SUBJECT TO CAPABILITY.



ECHELLE 1/1

() = VALEUR INDICATIVE/INDICATIVE VALUE

25/01/10	JPG	SFR	L2 ETAIT 7 mm
DATE/DATE	NOM/NAME	VERIFIE PAR/CHECKED BY	DERNIERE MODIFICATION/LAST MODIFICATION

CE PRODUIT EST CONCU POUR ETRE SERTI SUR LES MATIERES SUIVANTES: **ACIER**
 THIS PRODUCT IS DESIGNED TO BE SET ON THE FOLLOWING MATERIALS: **STEEL**

EFFORT DE POSE MIN SUR EPAISSEUR MAX/ MIN SETTING LOAD ON MAX GRIP	(N): 6000		CHARGE D'EPREUVE/ PROOFLoad (N):	
PLAGE DE SERTISSAGE/GRIP RANGE	e(mm): 0.7 A/TO 3.0		6800	COUPLE DE SERRAGE MAX/ MAX TORQUE ON SCREW (N.m):
COURSE DE SERTISSAGE/STROKE	S(mm): 4 -e	LONGUEUR TARAUDAGE UTILE/ COMPLETE THREAD LENGTH:	5MIN	3
		FR (BÖLLHOFF SPECIFICATION)		PIECE IMMOBILISEE/ PART HELD STATIONARY

MATIERE/MATERIAL: X3CrNiCu 18-9-4 1.4567 A2	TRAITEMENT DE SURFACE/COATING:	<h1 style="margin: 0;">BÖLLHOFF</h1>
---	--------------------------------	--------------------------------------

	FORMAT/PAPER: A4	POIDS/WEIGHT: ~1.2 g	ECHELLE/SCALE: 6/1	DATE/DATE: 22/09/09	DESSINE PAR/ DRAWN BY: SFR	VERIFIE PAR/ CHECKED BY: JPG	FAMILLE/FAMILY: RIVKLE® M4 N° PLAN/DRAWING NUMBER
--	----------------------------	--------------------------------	------------------------------	-------------------------------	---	---	--

DESIGNATION RF66 M 4 030	N° ARTICLE/PART NUMBER 34366040230	TYPE 02	REV. B
------------------------------------	--	-------------------	------------------