


Ordering number CA12803_EVA-M

Family	Eva	FWHM	26 degrees
Type	Assembly	Efficiency	85 %
LED	MK-R	cd/lm	2.900
Color	Black	Gerber File	Available
Diameter	37.7 mm		
Height	17 mm		
Style	Round		
Optic Material	PMMA		
Holder Material	PC		
Fastening	Screw, tape		
Status	Ready		


Ordering number CA12858_EVA-O

Family	Eva	FWHM	38+20 degrees
Type	Assembly	Efficiency	84 %
LED	MK-R	cd/lm	2.700
Color	Black	Gerber File	Available
Diameter	37.7 mm		
Height	17.2 mm		
Style	Round		
Optic Material	PMMA		
Holder Material	PC		
Fastening	Screw, tape		
Status	Ready		


Ordering number CA12804_EVA-W

Family	Eva	FWHM	48 degrees
Type	Assembly	Efficiency	80 %
LED	MK-R	cd/lm	1.150
Color	Black	Gerber File	Available
Diameter	37.7 mm		
Height	17 mm		
Style	Round		
Optic Material	PMMA		
Holder Material	PC		
Fastening	Screw, tape		
Status	Ready		

NOTE: The typical divergence will be changed by different color, chip size and chip position tolerance. The typical total divergence is the full angle measured where the luminous intensity is half of the peak value.



PRODUCT DATASHEET

Eva series

last update 24/4/2013

GENERAL INFORMATION

- Product series especially designed & optimized for MK-R series of LEDs.
- Special care taken to make light distribution as uniform as possible.
- Lens material optical grade PMMA with high UV and temperature resistance. Allows use of high current and temperature conditions.

Please find more information about used material from below:

http://ledil.fi/sites/default/files/Documents/Technical/Material/PMMA%20N%20UL94_Yellow%20Card.pdf

<http://ledil.fi/sites/default/files/Documents/Technical/Material/PMMA%20N%20PLEXIGLAS-Datasheet.pdf>

- Optic holder molded by high quality PC material (120 degrees of Celcius / 248 degrees of Fahrenheit).

D

C

B

A

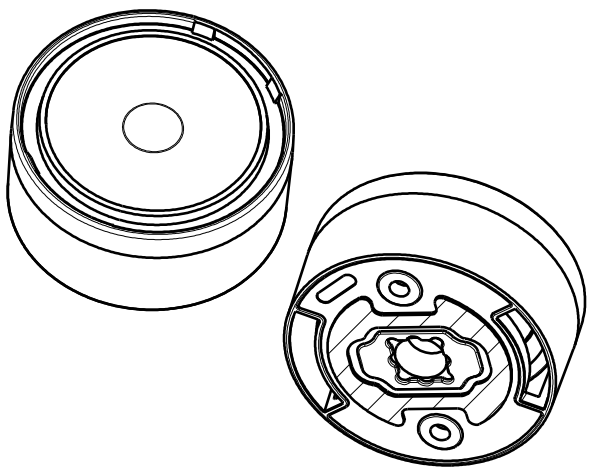
4

3

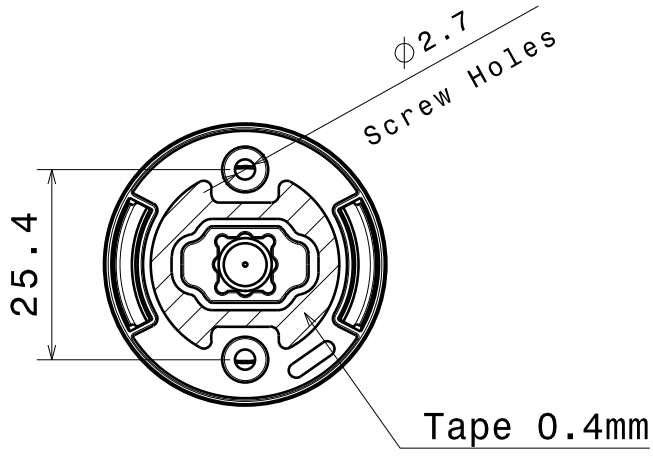
2

1

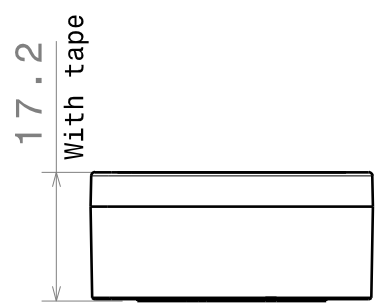
1



Isometric view

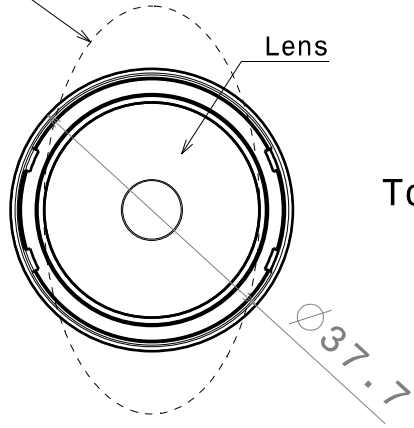


Tape 0.4mm



Front view

Oval beam direction



Top view

Materials:
 Lens PMMA
 Holder PC, BLACK
 Tape Pu foam

This drawing is our property.
 It can't be reproduced
 or communicated without
 our written agreement.



Ledil Oy
 Tehdaskatu 13
 FIN-24100 SALO
 Finland

DRAWING TITLE
 Datasheet EVA-LUXEON-M-WITH-TAPE Assembly

DRAWN BY
 mav

DATE
 12.4.2012

CHECKED BY
 sn

DATE
 12.4.2012

SIZE A4 DRAWING NUMBER

REV
 1

DESIGNED BY
 pl

DATE
 17.02.2011

SCALE 2:1 WEIGHT (g)

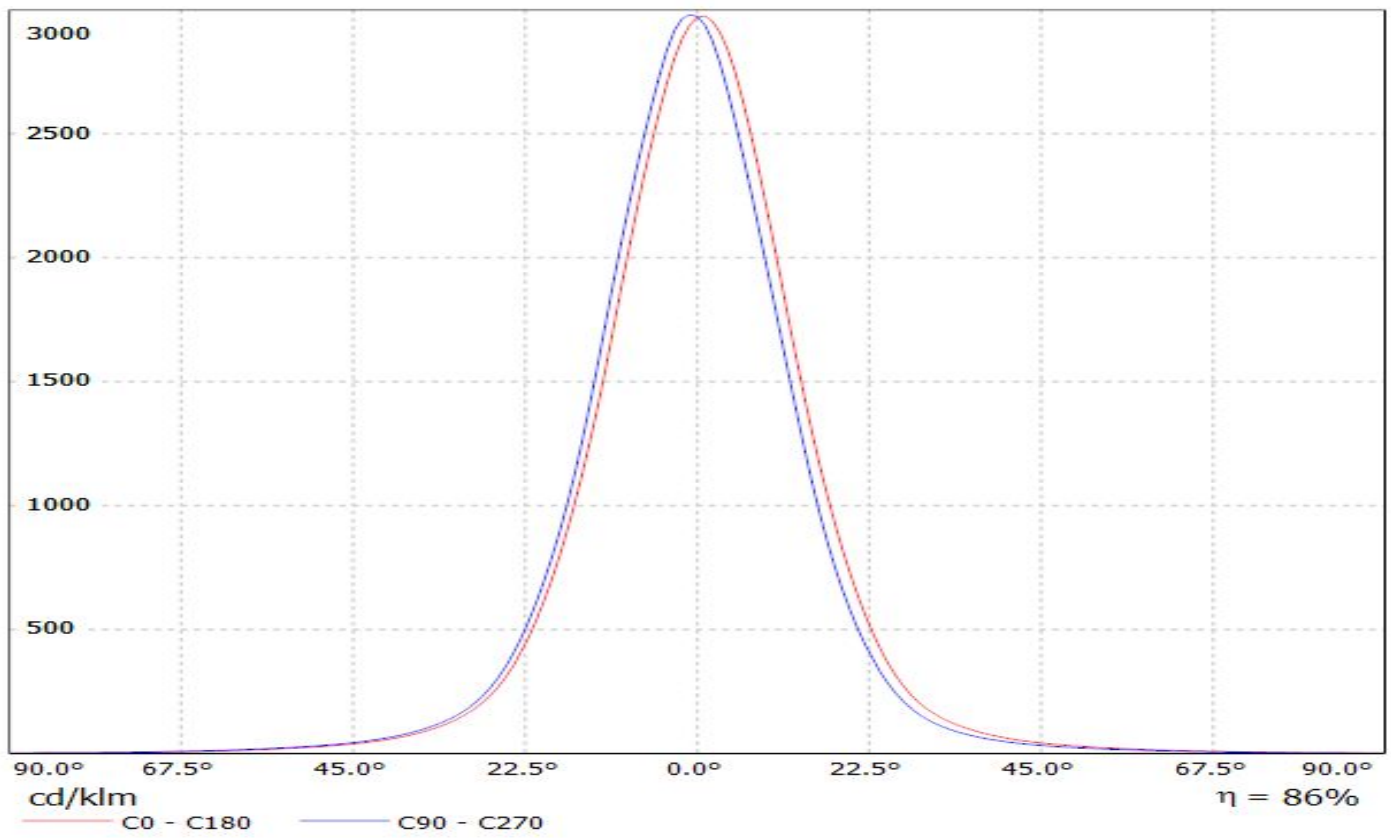
SHEET 1/1

D

A

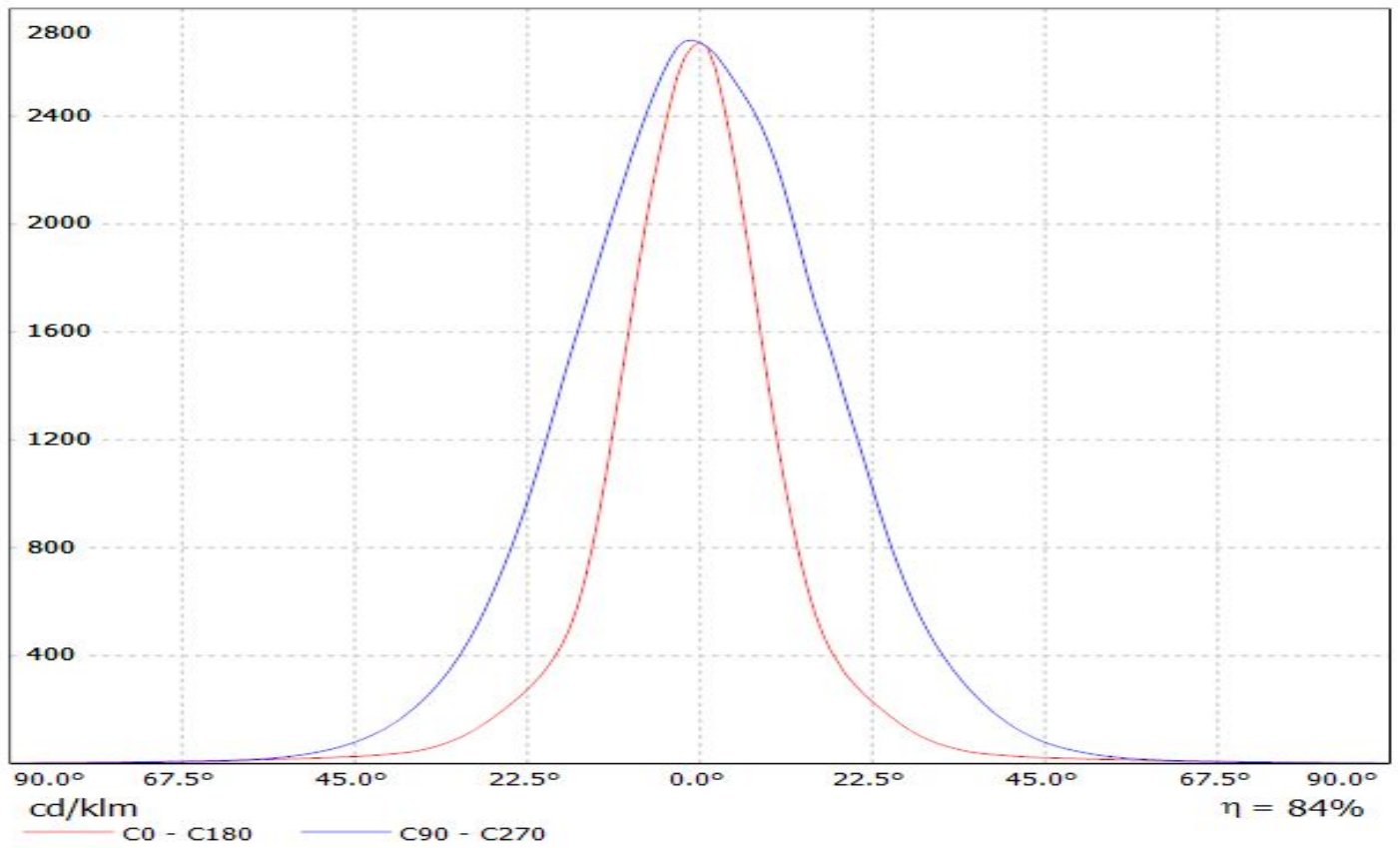
LEDiL Oy CA12803_EVA-M_(MKR) Eff. 85,8% / LDC (Linear)

Luminaire: LEDiL Oy CA12803_EVA-M_(MKR) Eff. 85,8%
Lamps: 1 x Cree MKR (365lm@250mA)

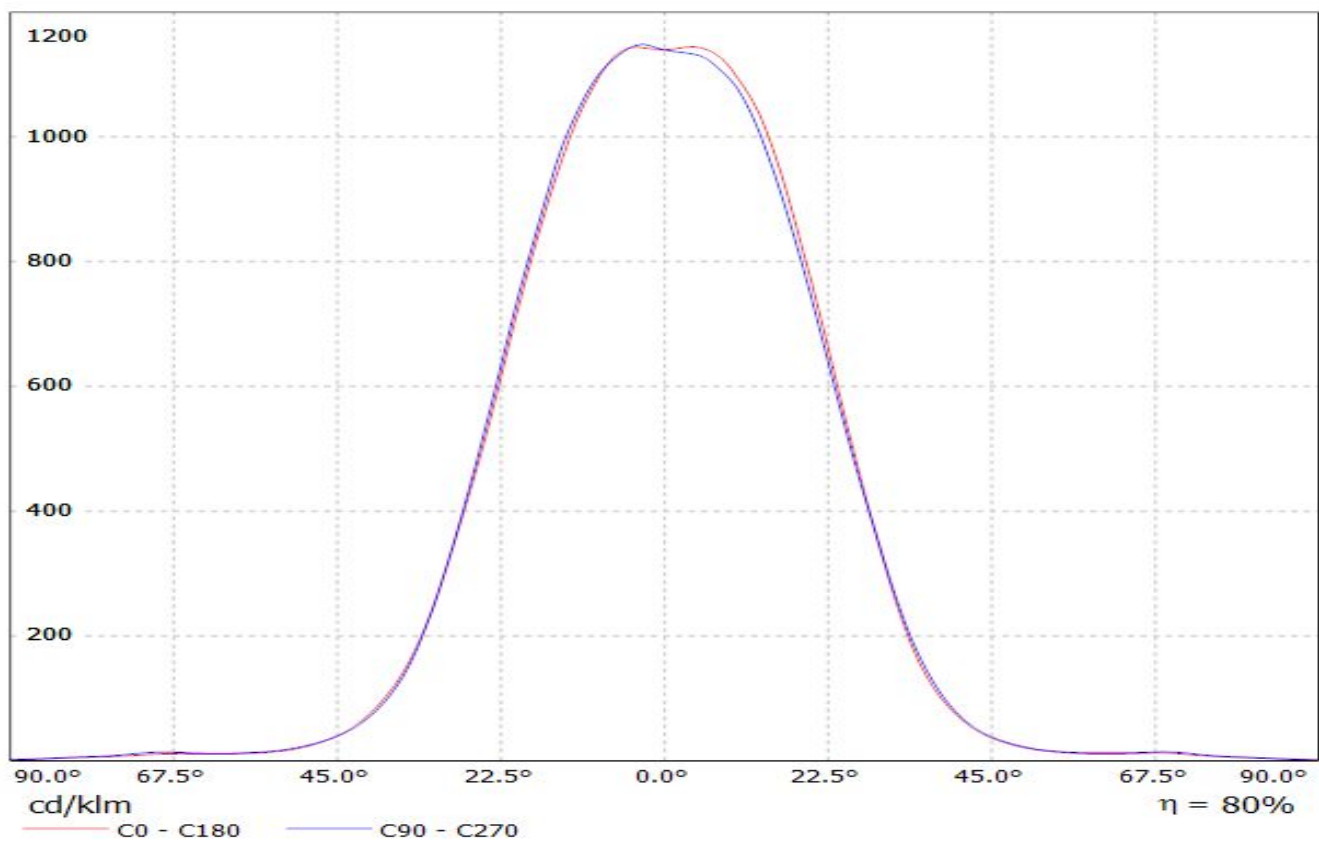


LEDiL Oy CA12858_EVA-O_(MKR) Eff.83,9% / LDC (Linear)

Luminaire: LEDiL Oy CA12858_EVA-O_(MKR) Eff.83,9%
Lamps: 1 x Cree MKR (365lm@250mA)



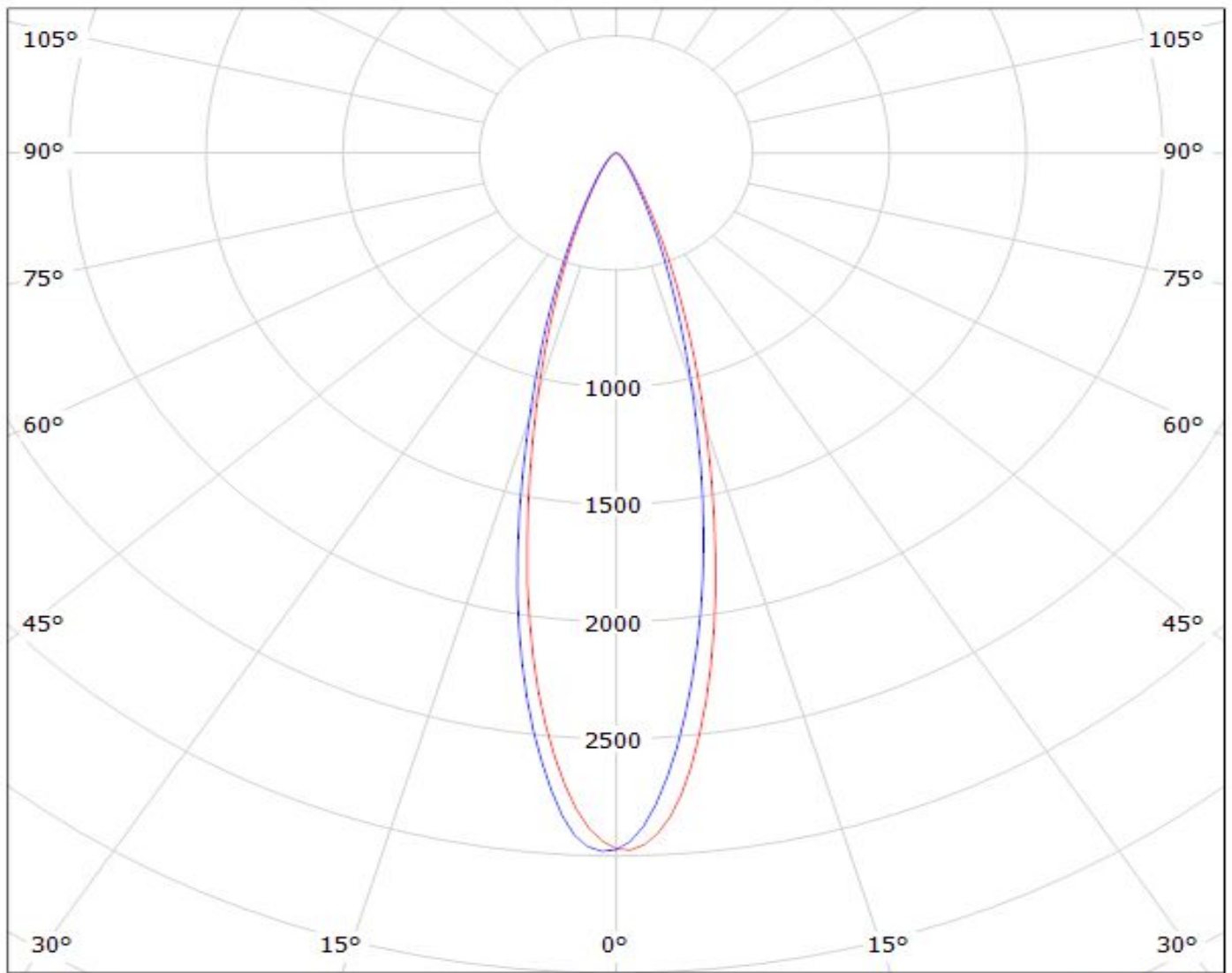
Luminaire: LEDiL Oy CA12804_EVA-W_(MK-R) Eff. 79,8%
Lamps: 1 x Cree MK-R (356lm@250mA)



LEDiL Oy CA12803_EVA-M_(MKR) Eff. 85,8% / LDC (Polar)

Luminaire: LEDiL Oy CA12803_EVA-M_(MKR) Eff. 85,8%

Lamps: 1 x Cree MKR (365lm@250mA)



cd/klm

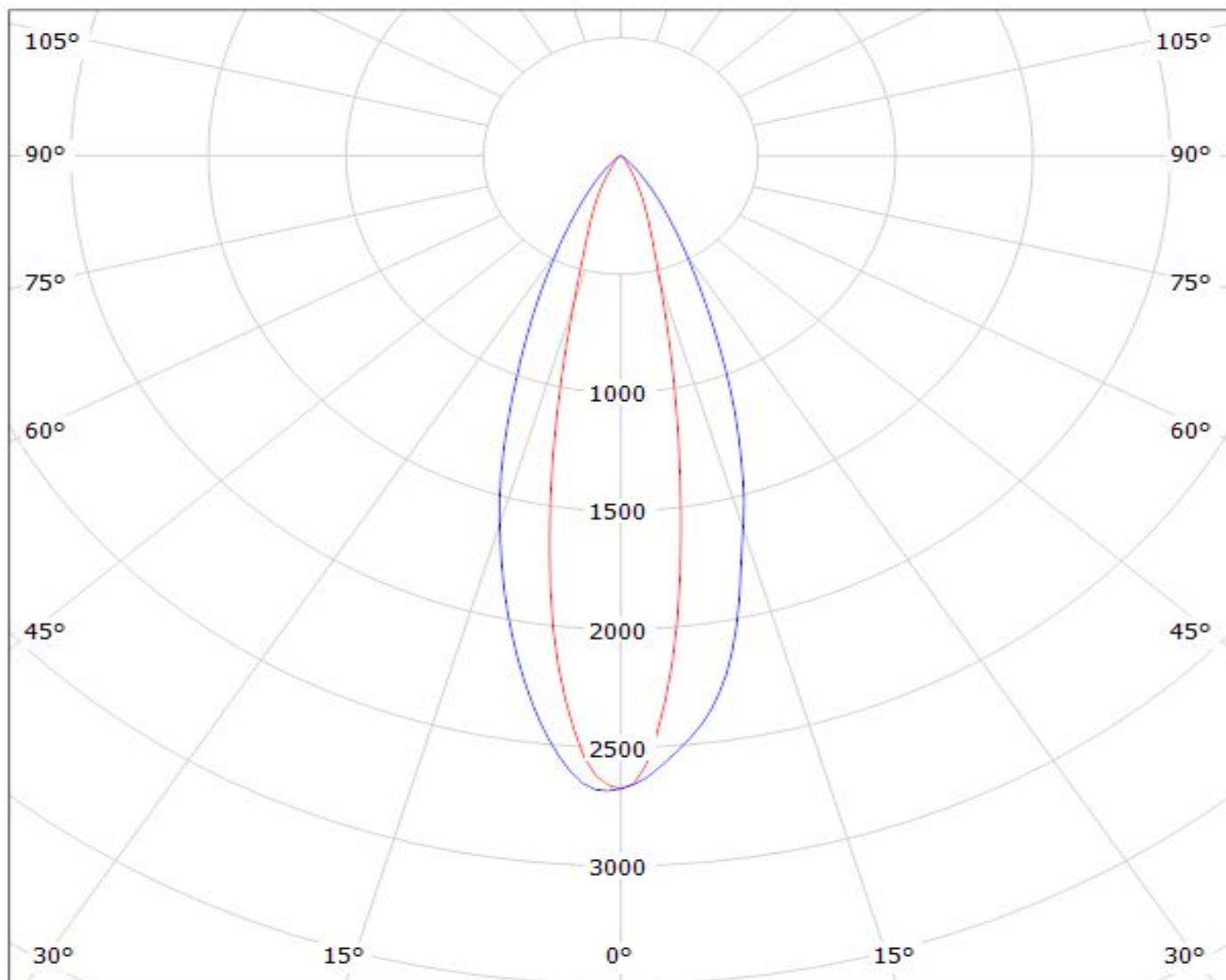
— C0 - C180

— C90 - C270

$\eta = 86\%$

LEDiL Oy CA12858_EVA-O_(MKR) Eff.83,9% / LDC (Polar)

Luminaire: LEDiL Oy CA12858_EVA-O_(MKR) Eff.83,9%
Lamps: 1 x Cree MKR (365lm@250mA)



cd/klm

— C0 - C180

— C90 - C270

$\eta = 84\%$

Luminaire: LEDiL Oy CA12804_EVA-W_(MK-R) Eff. 79,8%
Lamps: 1 x Cree MK-R (356lm@250mA)

