

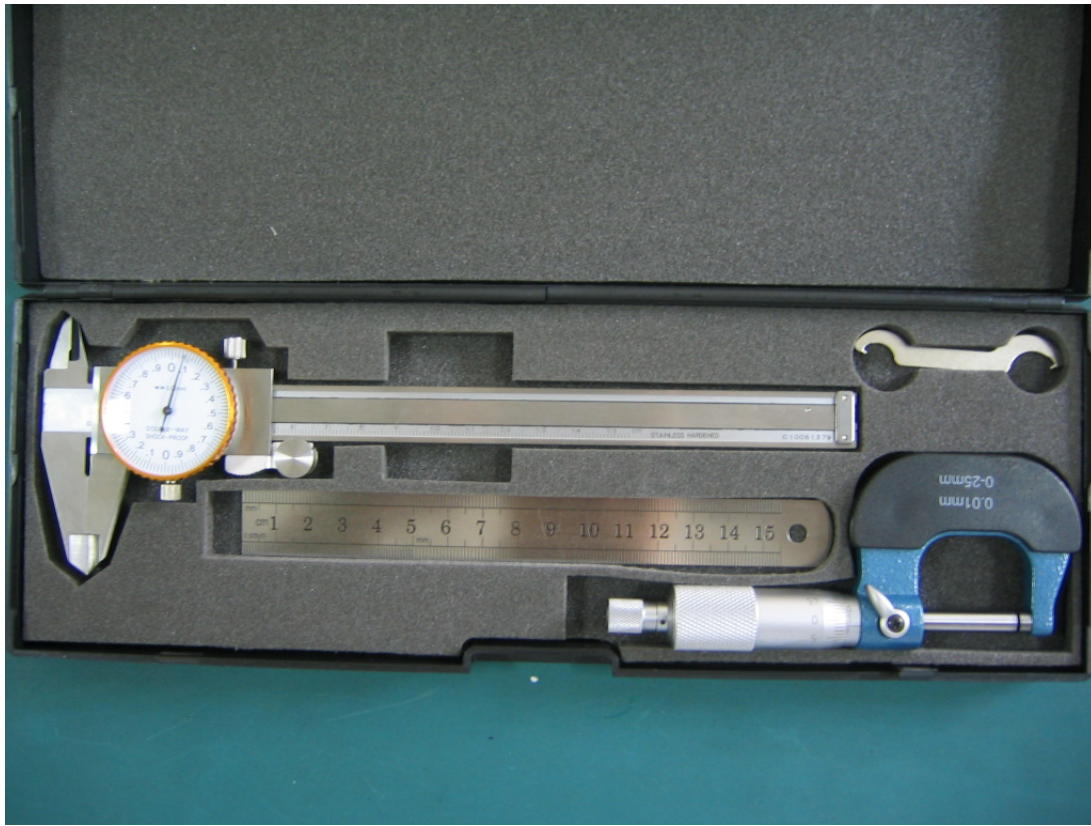
705-1181

Metric Workshop Set

Specification: Outside Micrometeter 0-25mm/Dial Caliper 0-150mm/Steel Ruler 150mm

Resolution: Micrometer:0.01mm/Dial Caliper:0.02mm/Steel Ruler:1mm

Accuracy: Micrometer:0.004mm/Dial Caliper:±0.03mm



FEATURES

The slider is covered to seal out dirt and grease.

Dial caliper measures four ways: ID, OD, Depth&Step.

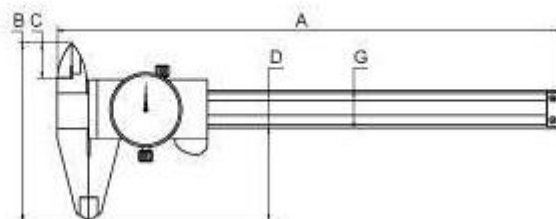
Accuracy can change: 0.001" and 0.02mm.

Zero can be quickly and easily reset.

Dial caliper shockproof system protects it is gear mechanism.

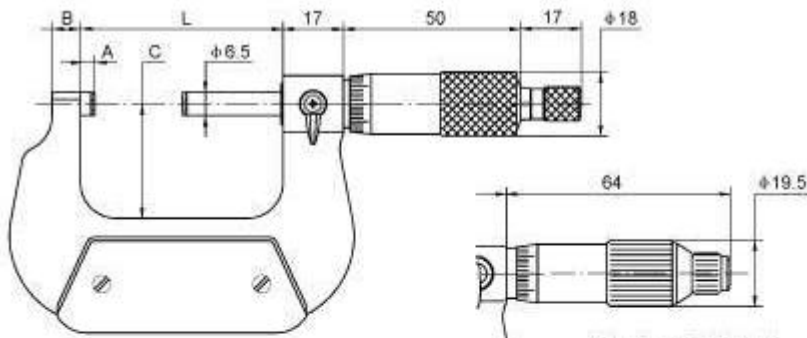
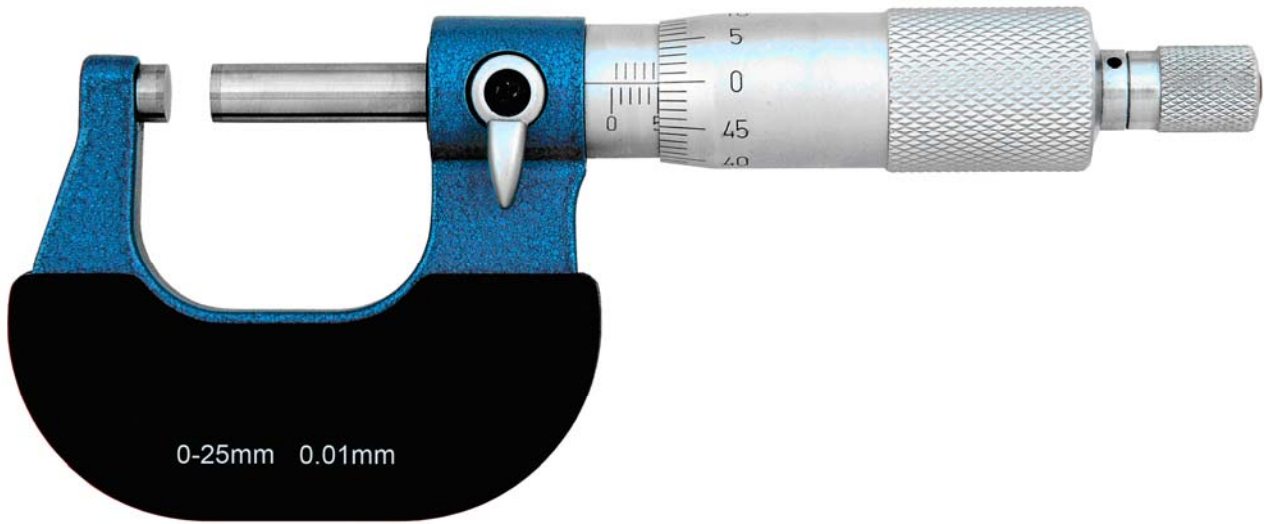
Rugged stainless steel construction and satin chrome finish for long life.

Fitted plastic case.



Dimensions

Range	A	B	C	D	G
0-100mm/0-4"	160mm	60mm	12.5mm	30mm	13mm
0-150mm/0-6"	234mm	77mm	16mm	40mm	16mm
0-200mm/0-8"	290mm	90.5mm	19mm	50mm	17mm



Ratchet stop

Friction thimble
Ratchet friction thimble

Dimensions

Range		A	B	C	L
Metric	Inch				
0-25mm	0-1"	3.0mm	6mm	24mm	32mm
25-50mm	1-2"	3.0mm	8mm	32mm	57mm
50-75mm	2-3"	3.0mm	8mm	45mm	82mm
75-100mm	3-4"	3.0mm	8mm	57mm	107mm
100-125mm	4-5"	3.0mm	8mm	70mm	133mm
125-150mm	5-6"	3.0mm	8mm	82mm	158mm
150-175mm	6-7"	5.5mm	8mm	95mm	183mm
175-200mm	7-8"	5.5mm	8mm	107mm	209mm



Stainless Steel Ruler:150mm

150X19X0.6mm