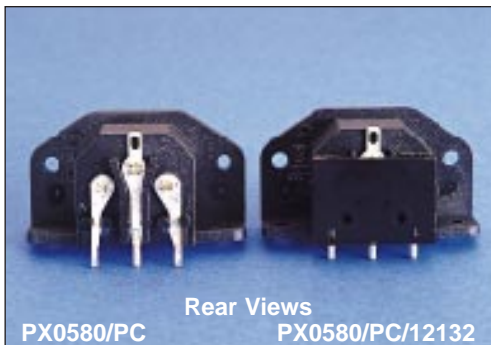
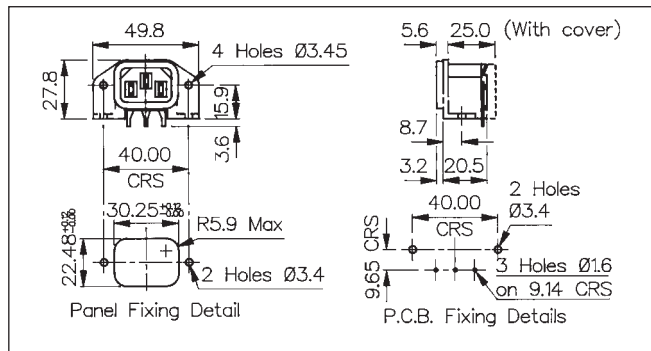
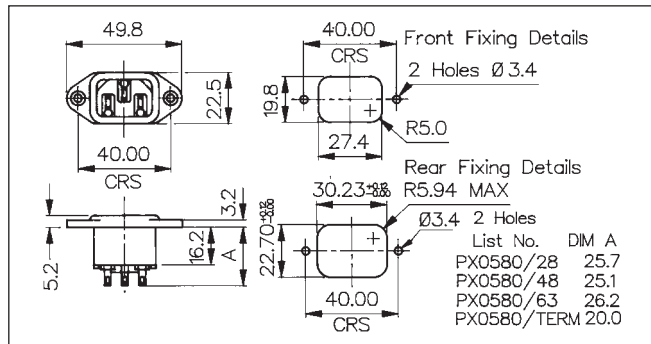


EN60 320 (BS4491 Standard Sheet C14 Class I) Cold Condition

CONNECTORS



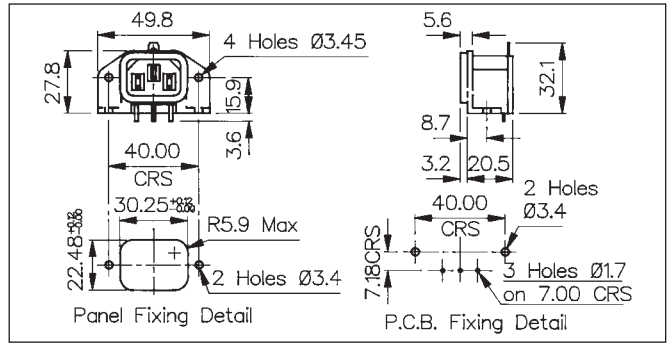
Data	List No.	PX0580/Termination	PX0580/PC
Fixing:		Flange.	P.C.B./Flange.
Terminations:		/28 (2.8mm solder), /48 (4.8mm tab), /63 (6.3mm tab), /TERM (screw).	P.C. Spills.
Max. Rating:		10A. 250V a.c. (UL & CSA 15A 250V a.c.)	10A, 250V a.c. (UL & CSA 15A 250V a.c.)
Contact Resistance:		<10mΩ.	<10mΩ.
Insulation Resistance:		>10 ³ MΩ.	>10 ³ MΩ.
A.C. Breakdown:		Pole-Pole 5kV. Poles-Panel 10kV.	Pole-Pole 5.4kV. Poles-Panel 10kV.
Operating Temp. Range:		-40°C to + 70°C.	-40°C to + 70°C.
Max. Pin Temp.:		+70°C.	+70°C.
Mouldings:		Nylon, Flammability Rating UL.94V-O.	Nylon, Flammability Rating UL.94V-O.
Contacts:		Brass: Pins, Nickel Plated. Tabs, Tin Plated. Screw Terms, Nickel Plated.	Brass: Pins, Nickel Plated. Spills, Tin Plated.
Approvals:			
Accessories / Notes:		P.No.11328. KT0006 (PX0587 & PZ0100 only) (See Page 40).	Note: Standard without cover. With cover add /12132.
Mating Connectors:		PX0587, PX0587/SE, PX0588, PZ0100, PZ0200.	PX0587, PX0587/SE, PX0588, PZ0100, PZ0200.



IEC Power Inlets

EN60 320 (BS4491 Standard Sheet C14 Class I) Cold Condition

CONNECTORS



Data	List No.	PX0580/PC/7		
Fixing:		P.C.B./Flange.		
Terminations:		P.C. Spills.		
Max. Rating:		10A. 250V a.c. (UL & CSA 15A 250V a.c.).		
Contact Resistance:		<10mΩ.		
Insulation Resistance:		>10 ³ MΩ.		
A.C. Breakdown:		Pole-Pole 4kV. Poles-Panel 6kV.		
Operating Temp. Range:		-40°C to + 70°C.		
Max. Pin Temp.:		+70°C.		
Mouldings:		Nylon, Flammability Rating UL.94V-O.		
Contacts:		Brass: Pins, Nickel Plated. Spills, Tin Plated.		
Approvals:				
Accessories / Notes:		Note: Standard with cover. Without cover add LC.		
Mating Connectors:		PX0587, PX0587/SE, PX0588, PZ0100, PZ0200.		