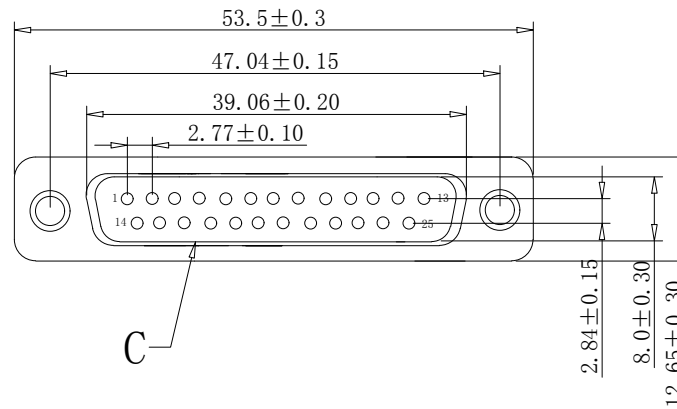
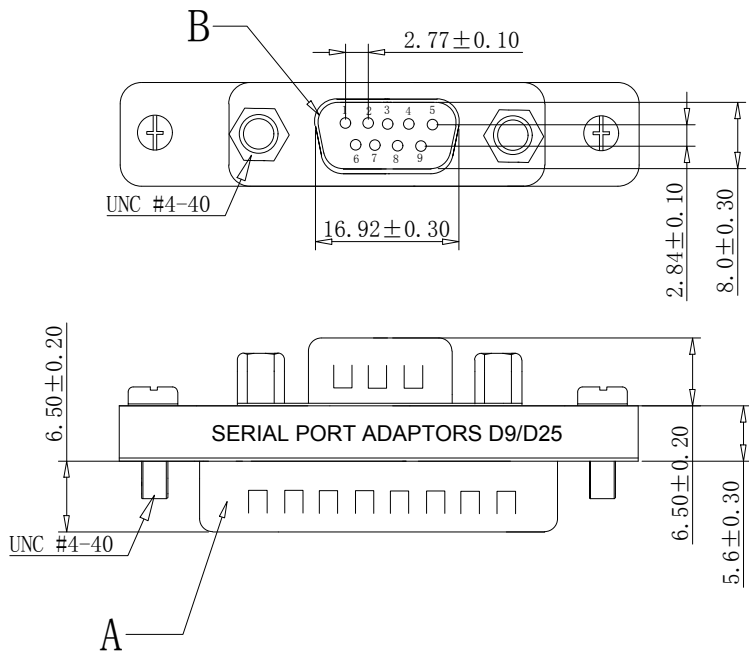


Mini D-Sub Adapter, 25-Pin Plug to 9-Pin Plug



NOTES:
 ELECTRICAL CHARACTER:
 1.100% OPEN&SHORTTESTING.
 2.ROHS and REACH COMPLIANT.
 3. Where the tolerance is not indicated, the tolerance is +/- 0.2
 4.connector connection method: soldering.
 5.THIS PRODUCT INCLUDED THE RAW MATERIAL:

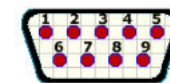
PE - Gold-plated copper
 nickel plated Iron shell

NO	ITEM	DESCRIPTION	COMPONENT
C	CONNECTOR 2	DB25 Male	
B	CONNECTOR 1	DB9 Male	
A	HOUSING	nickel plated Iron shell	

PIN ASSIGNMENT

DB9M	DB25M
1	8
2	3
3	2
4	20
5	7
6	6
7	4
8	5
9	22
G	G

COM Port Pinouts



COM1 (DB-9)



COM2 (DB-25)

1 Data Carrier Detect (DCD)	2 Transmit Data (TD)
2 Receive Data (RD)	3 Receive Data (RD)
3 Transmit Data (TD)	4 Request to Send (RTS)
4 Data Terminal Ready (DTR)	5 Clear to Send (CTS)
5 Signal Ground	6 Data Set Ready (DSR)
6 Data Set Ready (DSR)	7 Signal Ground
7 Request to Send (RTS)	8 Data Carrier Detect (DCD)
8 Clear to Send (CTS)	20 Data Terminal Ready (DTR)
9 Ring Indicator (RI)	22 Ring Indicator (RI)

Art. Nr.

RND 205-00931