

THIS DRAWING IS UNPUBLISHED.

RELEASED FOR PUBLICATION

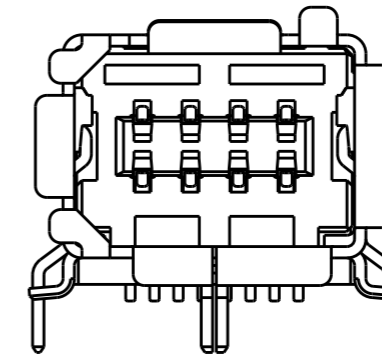
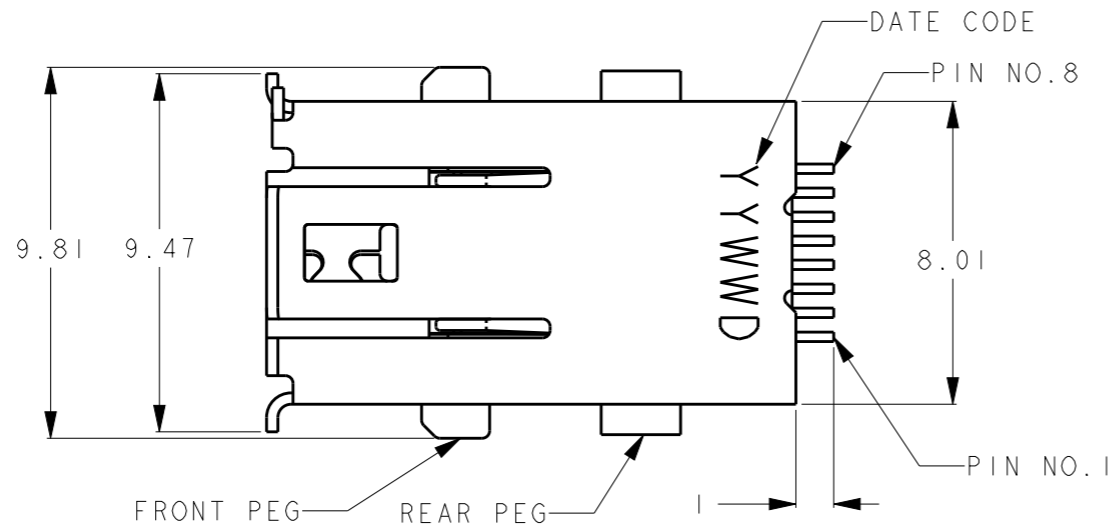
2016

© COPYRIGHT 2016 BY Tyco Electronics Japan G.K. ALL RIGHTS RESERVED.

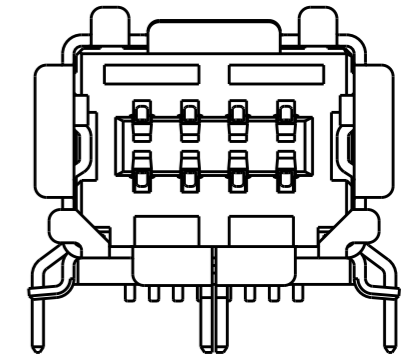
- 1 : AS SHOWN

REVISIONS

| P | LTR | DESCRIPTION | DATE      | DWN | APVD |
|---|-----|-------------|-----------|-----|------|
| A |     | RELEASED    | 28JUN2016 | T.S | N.Y  |
| B |     | REVISED     | 11JUL2016 | T.S | N.Y  |

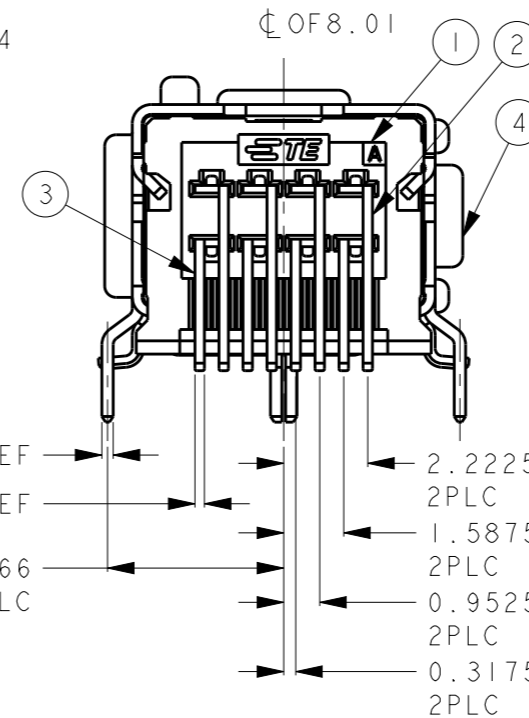
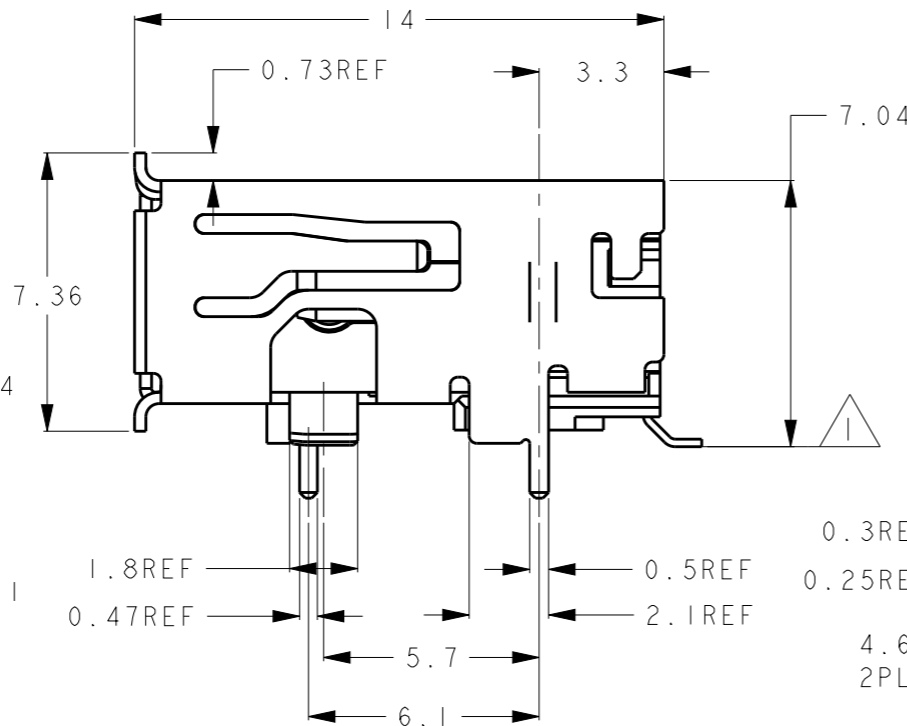
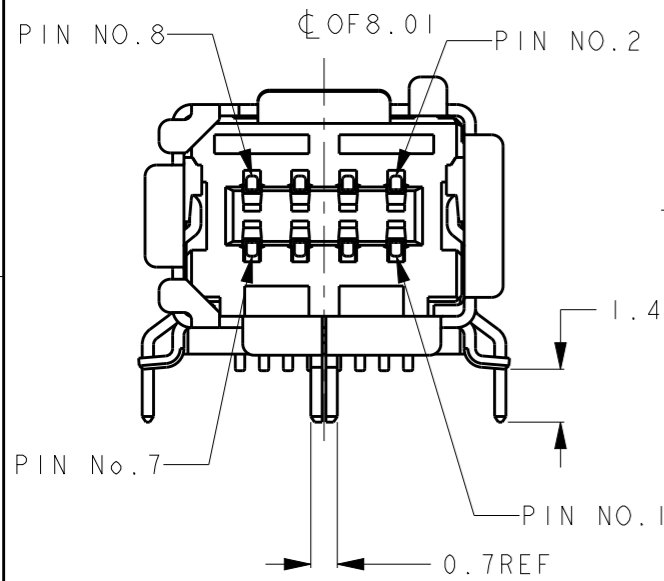


TYPE I



TYPE II

| P/N       | D-SHAPE | HOUSING COLOR |
|-----------|---------|---------------|
| 2294417-4 | TYPE II | NATURAL       |
| 2294417-1 | TYPE I  | BLACK         |



1 COPLANARITY: 0.08MAX (FRONT PEG, CONTACT)

2 DIMENSION DECIDED BY CUSTOMER

3. PRODUCT QUANTITY : 300/REEL

| ITEM | DESCRIPTION   | ITEM |
|------|---|------|
| 1    | HDR SHELL TYPE II<br>MATERIAL: SUS<br>UNDER ALL SURFACE Ni 0.00127MIN<br>ALL SURFACE Sn 0.002MIN  | 4    |
| -    | HDR SHELL TYPE I<br>MATERIAL: SUS<br>UNDER ALL SURFACE Ni 0.00127MIN<br>ALL SURFACE Sn 0.002MIN   |      |
| 4    | HDR LOWER CONTACT<br>MATERIAL: COPPER ALLOY<br>UNDER ALL SURFACE Ni 0.00127MIN<br>CONTACT AREA Au 0.0005MIN<br>SOLDERING AREA Sn 0.002MIN | 3    |
| 4    | HDR UPPER CONTACT<br>MATERIAL: COPPER ALLOY<br>UNDER ALL SURFACE Ni 0.00127MIN<br>CONTACT AREA Au 0.0005MIN<br>SOLDERING AREA Sn 0.002MIN | 2    |
| 1    | HDR HOUSING<br>MATERIAL: THERMO PLASTIC(UL94 V-0)<br>COLOR: NATURAL   | 1    |
| -    | HDR HOUSING<br>MATERIAL: THERMO PLASTIC(UL94 V-0)<br>COLOR: BLACK   |      |
| -4   | DESCRIPTION   | ITEM |

|   |  |                                      |   |                    |
|---|--|--------------------------------------|---|--------------------|
| THIS DRAWING IS A CONTROLLED DOCUMENT.                            |  | DWN<br>T. SHIMOYASU<br>28JUN2016     | TE Connectivity   |                    |
| DIMENSIONS:<br>単位: 耗<br>mm  |  | CHK<br>E. TAKEMASA<br>28JUN2016      |   |                    |
| TOLERANCES UNLESS OTHERWISE SPECIFIED:<br>一般公差 ±0.3               |  | APVD<br>N. YAMASAKI<br>28JUN2016     | NAME<br>名称 INDUSTRIAL MINI I/O CONN.<br>1.27MM PITCH 8P HDR ASSY SMT EMBOSS |                    |
| 0 PLC ±<br>1 PLC ±<br>2 PLC ±<br>3 PLC ±<br>4 PLC ±<br>ANGLES ±5° |  | PRODUCT SPEC<br>製品規格 108-78405       | SIZE<br>A3  | CAGE CODE<br>-     |
| MATERIAL<br>材料  |  | APPLICATION SPEC<br>取付適用規格 114-32132 | DRAWING NO<br>番号 C-2294417  | RESTRICTED TO<br>- |
| FINISH<br>仕上  |  | WEIGHT<br>1.08g                      | SCALE<br>尺度 5:1   | SHEET<br>1 OF 3    |
|   |  | CUSTOMER DRAWING                     | REV<br>B  |                    |

4

3

2

1

THIS DRAWING IS UNPUBLISHED.

RELEASED FOR PUBLICATION

2016

© COPYRIGHT 2016

BY Tyco Electronics Japan G.K.

ALL RIGHTS RESERVED.

REVISIONS

変更

| P | LTR | DESCRIPTION | DATE | DWN | APVD |
|---|-----|-------------|------|-----|------|
|   |     | SEE SHEET 1 |      |     |      |
|   |     |             |      |     |      |
|   |     |             |      |     |      |

REFERENCE PCB DIMENSIONS  
(STANDARD)  
t=1.6±0.1

REFERENCE PCB DIMENSIONS  
(SAME AS 1981080-1/1981386-1)  
t=1.6±0.1

THIS DRAWING IS A CONTROLLED DOCUMENT.

DWN

CHK

APVD

PRODUCT SPEC

製品規格

APPLICATION SPEC

取付適用規格

WEIGHT

CUSTOMER DRAWING

DIMENSIONS:  
単位: 耗  
mm

TOLERANCES UNLESS  
OTHERWISE SPECIFIED:

一般公差 ±0.3

0-PLC ±

1-PLC ±

2-PLC ±

3-PLC ±

4-PLC ±

ANGLES ±5°

MATERIAL

材料

FINISH

仕上

TE Connectivity

NAME

名称

INDUSTRIAL MINI I/O CONN.  
1.27MM PITCH 8P HDR ASSY SMT EMBOSS

SIZE

A3

CAGE CODE

-

DRAWING NO

番号

C=2294417

RESTRICTED TO

-

SCALE

尺度 4:1

SHEET

2 OF 3

REV

B

1470-19 (3/13)

THIS DRAWING IS UNPUBLISHED.

RELEASED FOR PUBLICATION

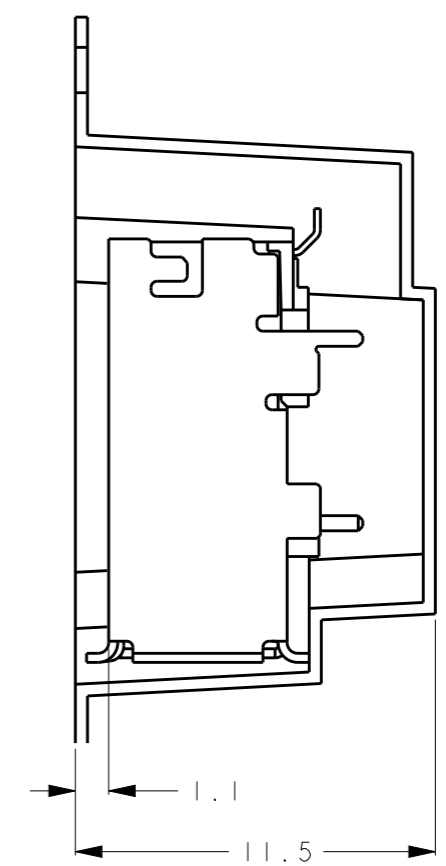
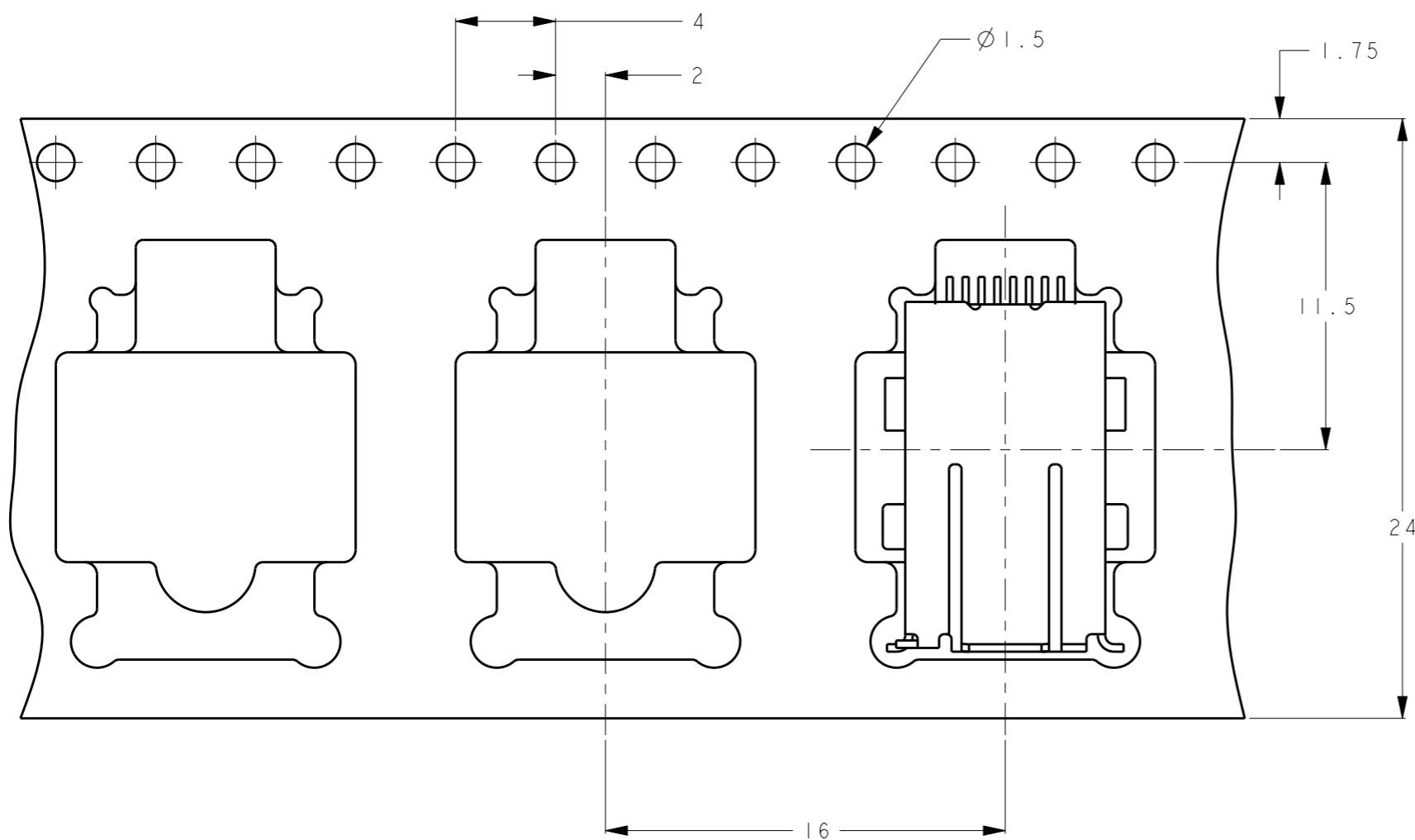
2016

© COPYRIGHT 2016 BY Tyco Electronics Japan G.K. ALL RIGHTS RESERVED.



REVISIONS

変更

| P | LTR | DESCRIPTION | DATE | DWN | APVD |
|---|-----|-------------|------|-----|------|
|   |     | SEE SHEET 1 |      |     |      |
|   |     |             |      |     |      |
|   |     |             |      |     |      |



EMBOSS TAPE

|   |  |                            |  |               |
|---|--|----------------------------|--|---------------|
| THIS DRAWING IS A CONTROLLED DOCUMENT.  |  | DWN                        |  <b>TE Connectivity</b> |               |
| DIMENSIONS:<br>単位: 耗<br>mm  |  | CHK                        |  |               |
|  |  | APVD                       |  |               |
| TOLERANCES UNLESS OTHERWISE SPECIFIED:<br>一般公差 $\pm 0.5$                              |  | PRODUCT SPEC<br>製品規格       | NAME<br>名称 INDUSTRIAL MINI I/O CONN.<br>1.27MM PITCH 8P HDR ASSY SMT EMBOSS                                  |               |
| 0 PLC $\pm$   |  | APPLICATION SPEC<br>取付適用規格 | SIZE   | RESTRICTED TO |
| 1 PLC $\pm$   |  | WEIGHT                     | A3   | -             |
| 2 PLC $\pm$   |  | CUSTOMER DRAWING           | CAGE CODE  | SCALE         |
| 3 PLC $\pm$   |  |                            | -  | 4:1           |
| 4 PLC $\pm$   |  |                            | DRAWING NO<br>番号 C-2294417   | SHEET         |
| ANGLES $\pm 5^\circ$  |  |                            |  | 3 OF 3        |
| FINISH<br>仕上  |  |                            |  | REV           |
| MATERIAL<br>材料  |  |                            |  | B             |