

5

4

3

2

1



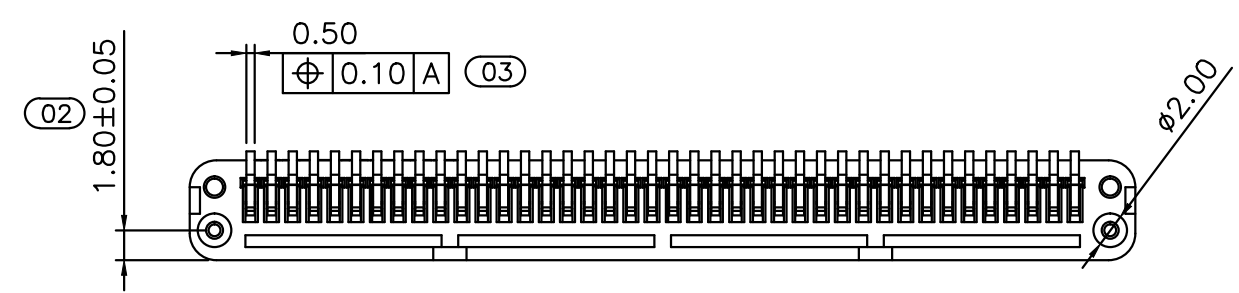
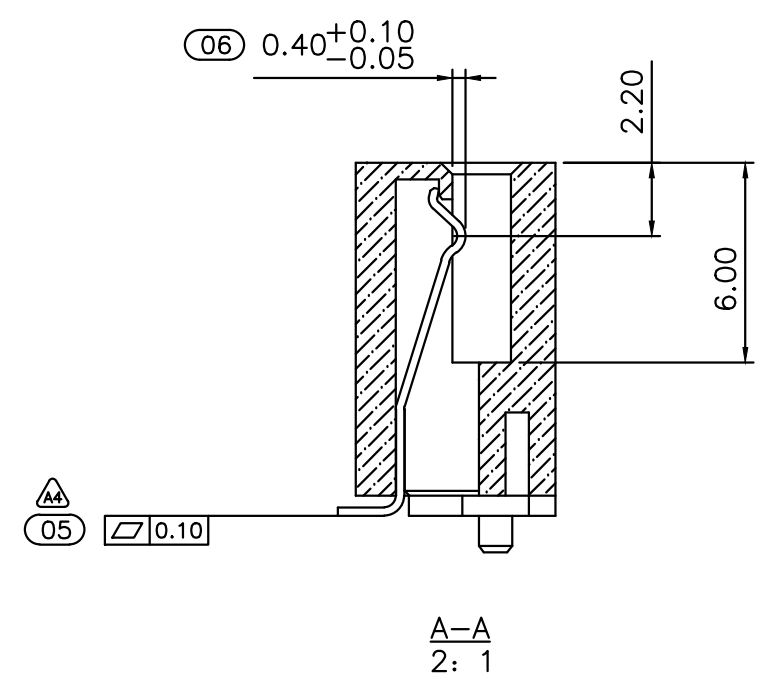
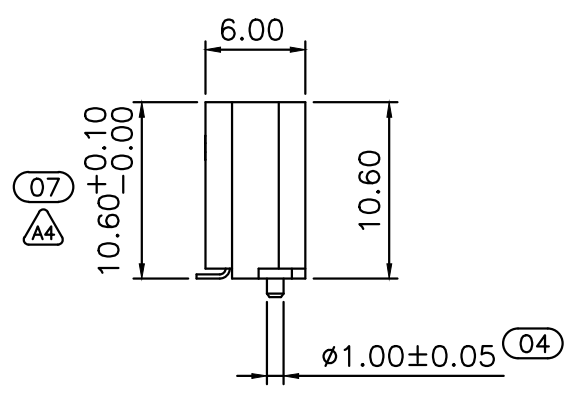
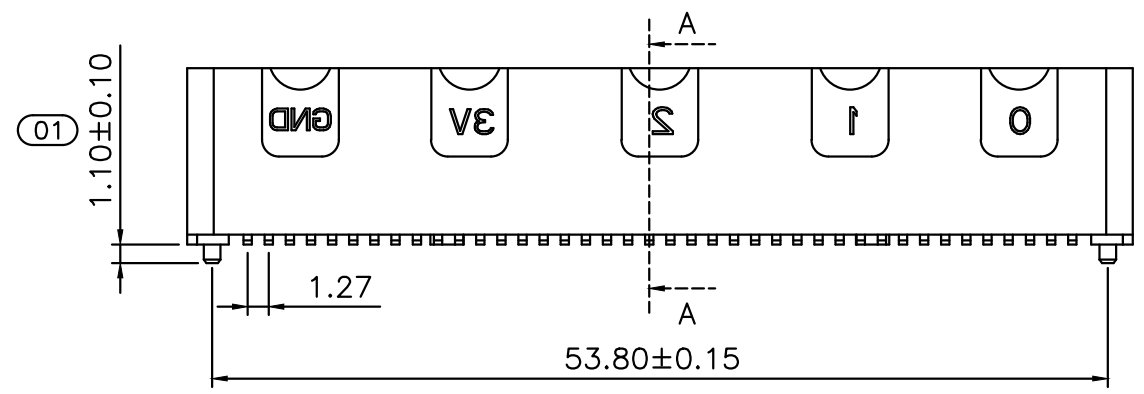
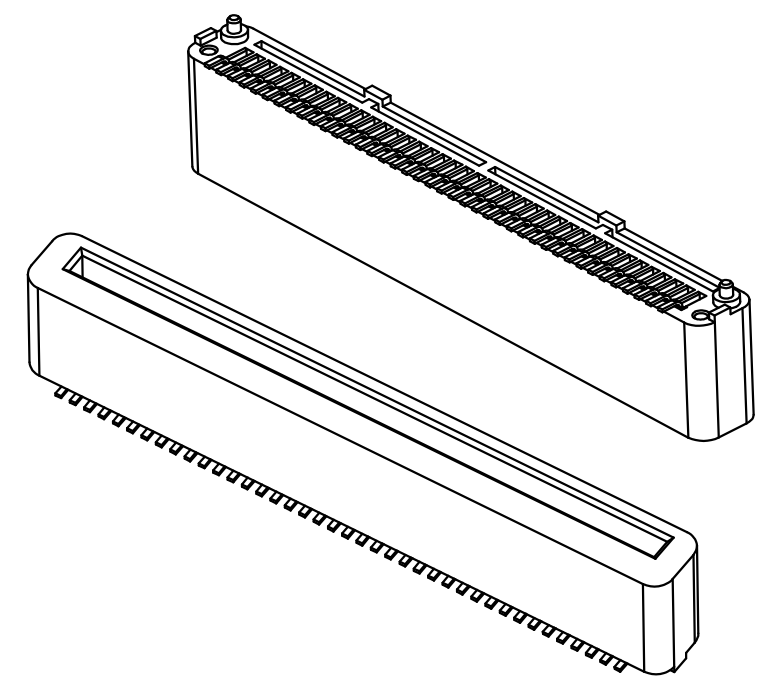
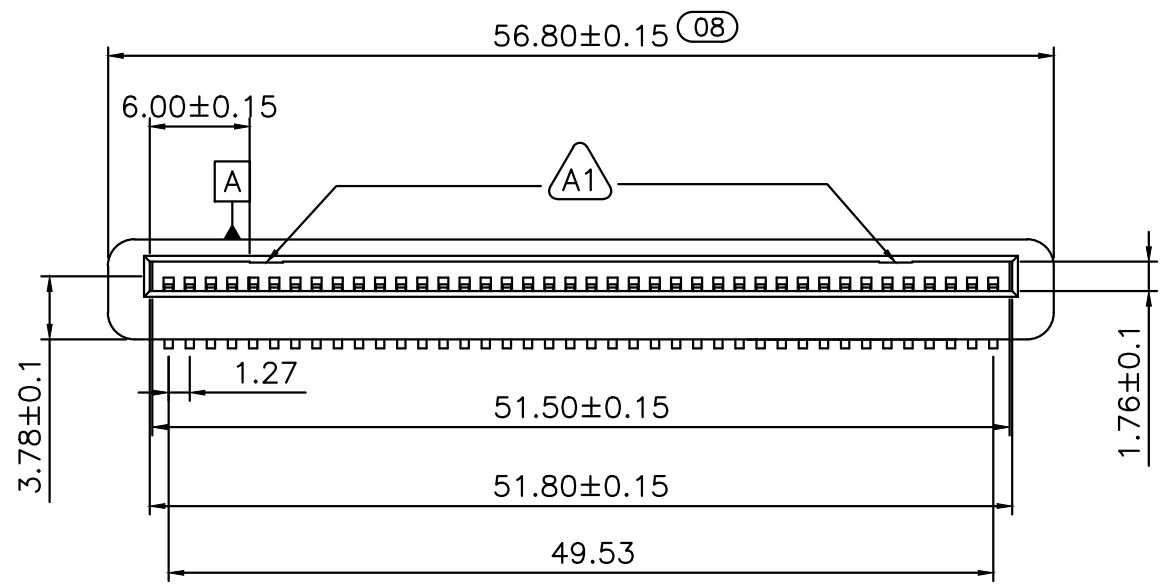
MATERIAL:
 1. HOUSING: HIGH TEMPERATURE RESISTANT NYLON RESIN WITH 30% GLASS FIBER
 2. CONTACTS: PHOSPHOR COPPER, T=0.25
 3. BOARD LOCK: COPPER ALLOY, T=0.30

PLATING:
 1. CONTACTS: 3U" MIN AU AT MATING AREA, 80U" MIN TIN AT SOLDER AREA, 50U" MIN NICKEL PLATED ALL OVER
 2. BOARD LOCK: 80U" MIN TIN OVER 50U" NICKEL UNDERPLATED

ENVIRONMENTAL:
 1. ROHS Compliant.

MECHANICAL PERFORMANCE:
 1. PLUGGING FORCE (BETWEEN MICRO BIT & CONNECTOR): 1KG
 2. PRODUCT LIFE: 1500 MATING CYCLES .

ELECTRICAL PERFORMANCE:
 1. RATED VOLTAGE: 250V AC
 2. RATED CURRENT: 1AMP
 3. LLCR: 30MΩ
 4. INSULATION RESISTANCE: 1000MΩ 500V DV
 5. VOLTAGE WITHSTAND: 500V 1MINUTE.



MIC127-140-A04	Micro Bit-connector_40p 180 SMT Au3u" PA9T
MIC127-140-A03	Micro Bit-connector_40p 180 SMT Au3u" PA9T
MIC127-140-A02	Micro Bit-connector_40p 180 SMT Au3u" PA9T
MIC127-140-A01	Micro Bit-connector_40p 180 SMT Au3u" LCP

THIS DRAWING IS A CONTROLLED DOCUMENT.

DIMENSIONS: mm	TOLERANCES UNLESS OTHERWISE SPECIFIED:
<p>THIRD ANGLE PROJECTION</p>	0 PLC ± 0.20
	1 PLC ± 0.15
	2 PLC ± 0.10
	3 PLC ± 0.05
	4 PLC ± -
	ANGLES ± 3'

DWN	2019\12\04
CHEK	2019\12\04
APVD	2019\12\04
PRODUCT SPEC	-
WEIGHT	-
ASSMBLE DRAWING	

DONG GUAN YU LIANG ELECTRONICS CO.,LTD	
NAME Micro Bit-connector_40p 180 SMT Au	
SIZE A4	DRAWING No. P = YL-ED-01392
SCALE 1 : 1	SHEET 1 of 1