


LDP- 12- 24DC

Order No.: 2833657



Plug-in module, for mounting on PR1 and PR2, with damping diode and yellow LED, polarity: **A1+**, **A2-**, input voltage: 12 -24 V DC \pm 20%

| Commercial data | |
|--------------------------|---|
| EAN |  4 017918 933845 |
| Pack | 10 |
| Customs tariff | 85366990 |
| Gross weight in pieces | 2.59 g |
| Country of Origin | CN |
| Catalog page information | Page 72 (IF-2011) |

Product notes

WEEE/RoHS-compliant since:
01/03/2006



Please note that the data given here has been taken from the online catalog. For comprehensive information and data, please refer to the user documentation at <http://www.download.phoenixcontact.com>. The General Terms and Conditions of Use apply to Internet downloads.

Certificates



Certification

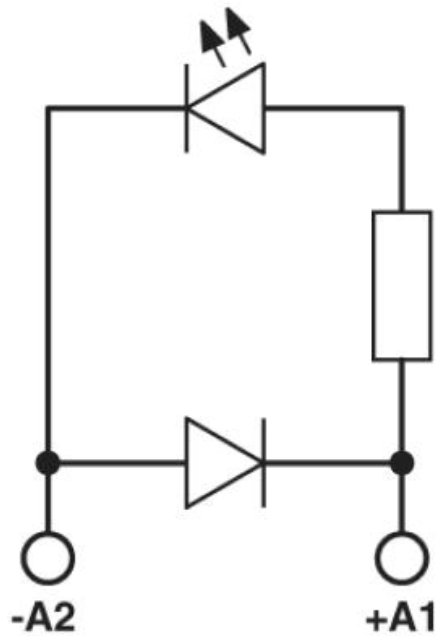
cULus Recognized

Certifications applied for:

Certification Ex:

Drawings

Circuit diagram



Address

PHOENIX CONTACT Ltd
Halesfield 13
Telford / Shropshire / TF7 4PG, England
Phone 01952 681 700
Fax 01952 681 799
<http://www.phoenixcontact.co.uk>



Phoenix Contact Ltd.
Technical modifications reserved;