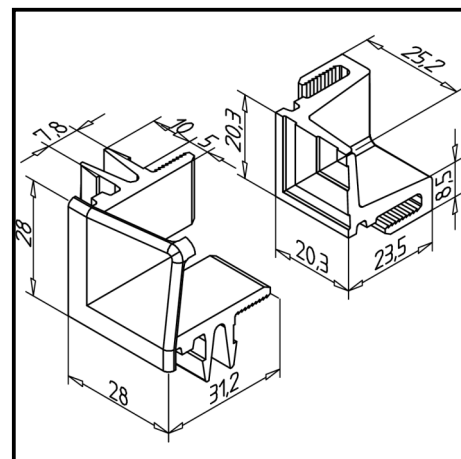
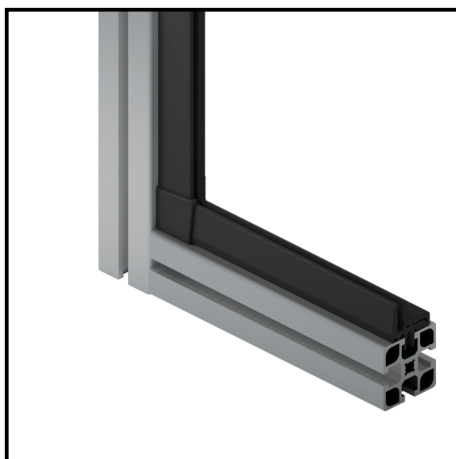
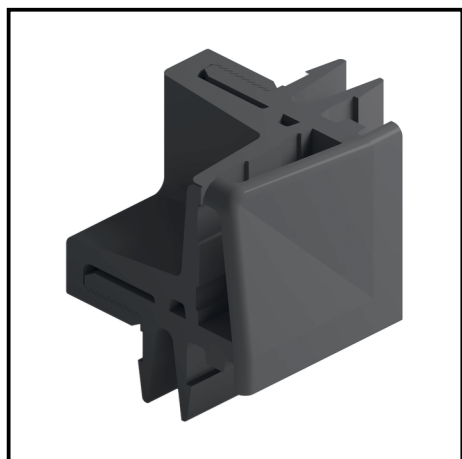


CORNER TRIM CLAMPING PROFILE GREY

Article Nr. 22.1221/0

[See the product on the website →](#)

[Download CAD Files →](#)



TECHN. DATA / ITEMS SUPPLIED

- ABS, Injection Mould, grey
- 2-piece
 - 1st part for fixing in the profile groove
 - 2nd part for fitting on part 1 and clamping the surface element
- Weight = 0.013 kg/piece

APPLICATIONS

- Use for increased design standard as a replacement for mitre cuts in clamping profile PVC

ASSEMBLY

- Position part 1 in the 4 corners of the profile frame
Clip in part 1 of the clamping profile, all round between the corner pieces and insert surface element
Fit part 2 of the clamping profile and end cap and use it to tightly clamp the surface element
- Cut to size dimension of the clamping profile:
clear width of the frame - 51 mm