




## Product information ELST 412 PG9 Sn

Industrial Connecting Solutions:Archive - Industrial Connectors:Circular Connectors E-series M12 / M12 push-pull (Archive):with screw locking:Appliance connector for front panel - front panel mounting:ELST 412 PG9 Sn

<http://www.e-catalog.beldensolutions.com/link/57078-24228-62529-24256-24257-24276-36842/en/conf/ui/state>

|  |   |
|--|---|
| Name                                     | ELST 412 PG9 Sn   |
|  |                |
|  | Appliance connector, with wire ends, PG 9 front mounting thread, screw locking, O-ring included |
| <b>Delivery informations</b>             |   |
| Availability                             | no longer available   |
| <b>Product description</b>               |   |
| Description                              | Appliance connector, with wire ends, PG 9 front mounting thread, screw locking, O-ring included |
| Type                                     | ELST 412 PG9 Sn   |
| Order No.                                | 932 916-206   |
| Type of contact                          | male  |
| Number of contacts                       | 4   |
| Cable material                           | PVC   |
| Cable length                             | 0.2 m   |
| Conductor size                           | 0.34 mm <sup>2</sup>  |
| Standard                                 | IEC 61076-2-101 (Ed. 1)/ IEC 60947-5-2  |
| Housing Color                            | metallic  |
| <b>Technical data</b>                    |   |
| Pin dimensions                           | 1 mm  |
| Wire stranding                           | 7 x 0.25 mm   |
| Rated voltage                            | AC/DC 250 V   |
| Rated current                            | 4 A   |
| <b>Material</b>                          |   |
| Contact material                         | Cu Zn   |
| Contact surface material                 | Sn  |
| Contact bearer material                  | PA  |
| Housing material                         | Cu Zn/Ni  |
| O-Ring                                   | NBR   |
| <b>Environmental conditions</b>          |   |
| Protection class (IEC 60529)             | IP 67   |
| Pollution severity                       | 3   |
| Temperature range                        | -25 °C to +90 °C  |
| <b>Inflammability class</b>              |   |
| Contact bearer                           | 94 V-2  |
| <b>Approvals</b>                         |   |
| UL                                       | UL  |
| <b>Packing unit</b>                      |   |
| Packaging unit                           | 100 pieces  |
| <b>Scope of delivery and accessories</b> |   |
| Accessories to order separately          | fastening nut ELST M PG9,<br>order no. 733 877-001  |



# HIRSCHMANN

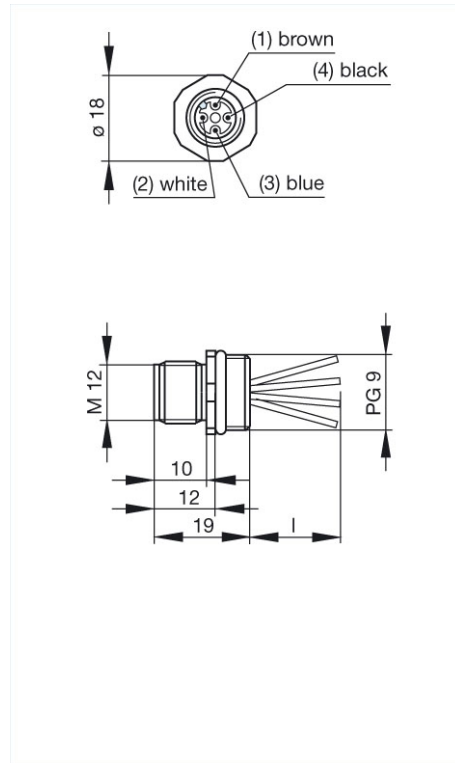
A BELDEN BRAND

Industrial Connecting Solutions:Archive - Industrial Connectors:Circular Connectors E-series M12 / M12 push-pull (Archive):with screw locking:Appliance connector for front panel - front panel mounting:ELST 412 PG9 Sn

<http://www.e-catalog.beldensolutions.com/link/57078-24228-62529-24256-24257-24276-36842/en/conf/uistate>

Picture

Drawing



#### Belden Deutschland GmbH

Im Gewerbepark 2  
58579 Schalksmühle  
Germany  
Phone: +49 7127/14-1806  
E-Mail: [icos-sales@belden.com](mailto:icos-sales@belden.com)

The information published in the websites has been compiled as carefully as possible. It is subject to alteration without notice in technical as well as in price-related/commercial respect. The complete information and data were available on user documentation. Mandatory information can only be obtained by a concrete query.