

Actuator:		
Design of the operating mechanism		mushromm pushbutton, Ø 40 mm
Shape / of the activation element		round
Manner of function / of the activation element		No Yes
<ul style="list-style-type: none"> • arresting lock • tentative 		
Outer diameter / of the activation element	mm	40
Material / of the activation element		plastic

Button:		
Design of the button		raised
Color / of the button		green

Front ring:		
Material / of the front ring		metal
Color / of the front ring		silver

General technical details:		
Design of the product		Ø 40 mm
Number of control points		1
Number of indicator lights / installable		1
Number of switching positions		2
Product extension / optional / fluorescent materials		Yes
Product function / emergency-OFF function		No
Type of unlocking device		without
Resistance against shock		<= 30g <= 50g
<ul style="list-style-type: none"> • for devices with incandescent lamp / according to IEC 60068-2-27 • for devices without incandescent lamp / according to IEC 60068-2-27 		
Operating cycles / maximum	1/h	1,000
Resistance against vibration / according to IEC 60068-2-6		20 ... 200 Hz: 5g
Mechanical operating cycles as operating time / typical		3,000,000
Item designation		S
<ul style="list-style-type: none"> • according to DIN 40719 extendable after IEC 204-2 / according to IEC 750 		

- according to DIN EN 61346-2

S

Auxiliary Contacts:

Number of NC contacts / for auxiliary contact	0
Number of NO contacts / for auxiliary contact	0
Number of change-over switches / for auxiliary contact	0

Installation/mounting/dimensions:

Color / of the lens	green
Product component / front ring	Yes
Material / of the housing	metal
Type of mounting	front mounting
Installation width	mm 22
Shape / of the installation hole	round
Mounting diameter	mm 22
Height	mm 40
Width	mm 40
Depth	mm 53.5
Tightening torque / of the screws in the holder / maximum	N-m 1

Ambient conditions:

Ambient temperature		
<ul style="list-style-type: none"> • during the operating phase 	°C	70 ... -25
<ul style="list-style-type: none"> • during storage 	°C	-40 ... 80
Protection class IP		IP67
Climatic class / according to DIN EN ISO 6270-2		KTW24

Certificates/approvals:

General Product Approval


[ROSTEST](#)


Test Certificates

[Manufacturer](#)

Shipping Approval

[ABS](#)

[PRS](#)

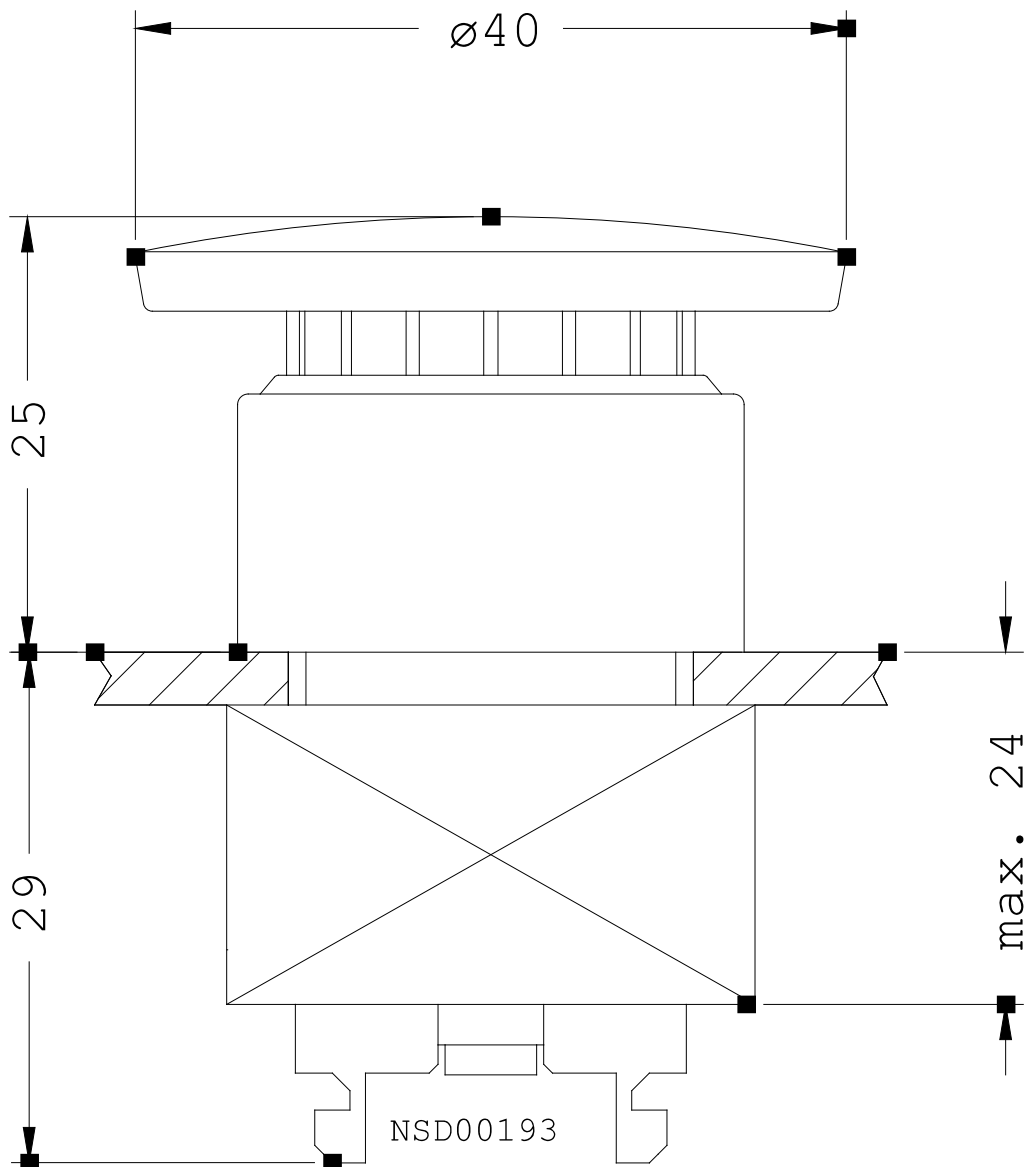

other

[Manufacturer](#)

Further information:

Information- and Downloadcenter (Catalogs, Brochures,...)

<http://www.siemens.com/industrial-controls/catalogs>



last change:

Sep 6, 2010