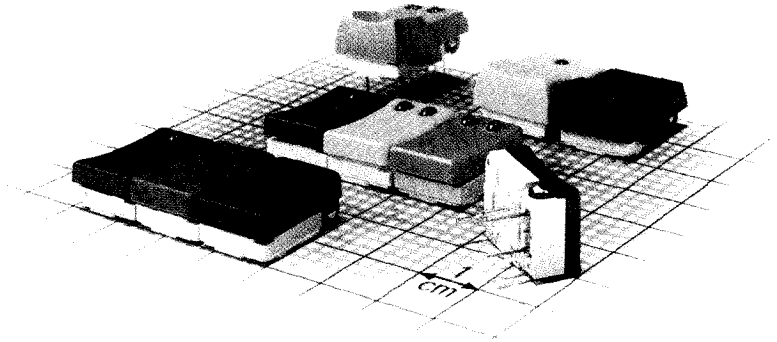


DMB and MDPL Key Switches



Momentary key switch for printed circuit board mounting.

DMB, momentary switch with rocker

action, suitable for control keyboards:

– either in line: 15.24 mm [.600 inch]

spacing

– or in keyboard: 15.24 mm × 20.32 mm

[.600 inch × .800 inch] spacing.

This key switch uses the MD basic

module (gold plated or silver plated).

An illuminated version is also available

(1 or 2 LED: red, green, yellow).

MDPL, illuminated disc key switch with

rocker type button, positive tactile

feedback, 1 or 2 LED mounting possible

(red, green, yellow).

This key switch uses the MDP basic

module (gold plated or silver plated).

Can be used in line: 12.7 mm [.500 inch]

spacing or in keyboard 12.7 mm ×

20.32 mm [.50 inch × .80 inch]

spacing.

Construction

Function	Momentary	
Contact arrangement	1 make contact = SPST, NO	
Illumination	Optionally 1 or 2 LEDs	
Distance between button centers, min.	horizontal	DMB 15.24 mm [.600 inch] MDPL 12.7 mm [.500 inch]
	vertical	DMB and MDPL 20.32 mm [.800 inch]
Terminals	PC pins	

Electrical data

		silver	gold
Switching power max.		6 W AC/DC	3 W AC/DC
Switching voltage max.		100 V AC/DC	100 V AC/DC
Switching current max.		100 mA AC/DC	50 mA AC/DC
Dielectric strength (50 Hz/1 Min.)		300 V	300 V
Operating life with max. switching power	DMB	> 10 ⁶ operations	> 2 × 10 ⁶ operations
	MDPL	> 2 × 10 ⁵ operations	> 2 × 10 ⁵ operations
Contact resistance, initial		≅ 10 mΩ	≅ 15 mΩ
Insulation resistance		≅ 10 ¹¹ Ω	≅ 10 ¹¹ Ω
Contact bounce		≅ 100 μs	≅ 100 μs

Mechanical data

	DMB	MDPL
Switching travel/total travel	1.5 mm/2.0 mm [.0591 inch/.0787 inch]	0.6 mm/0.7 mm [.0236 inch/.0276 inch]
Operating force	2N ± 25% [200 grams ± 25%]	2N ± 25% [200 grams ± 25%]

Further data

Contact material	silver plated, gold plated
Soldering by static bath	255°C for 5 s
Operating temperature	- 25°C to + 70°C
Storage temperature	- 40°C to + 85°C

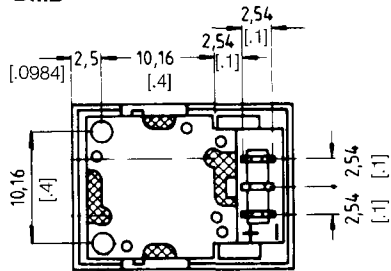
LED data

Colors	Red	Green	Yellow
Direct current (mA)	20	25	25
Reverse voltage (V)	4	4	4
Direct voltage (at 20 mA)	2.1	2.1	2.1
Light intensity (mcd)	1.5	4	2.5
Max. soldering time at 230°C temperature (seconds)	5	5	5

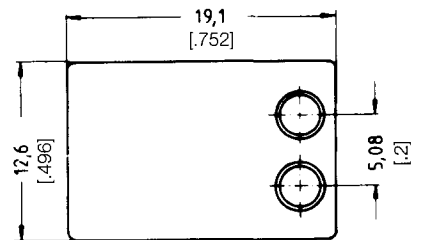
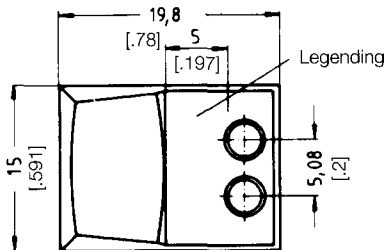
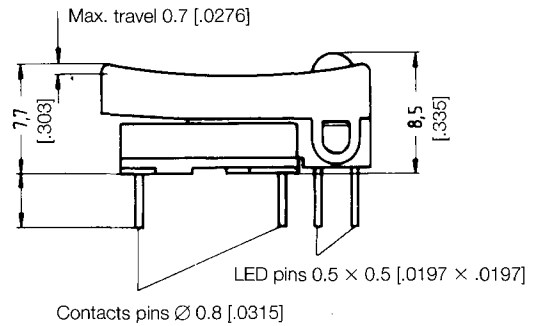
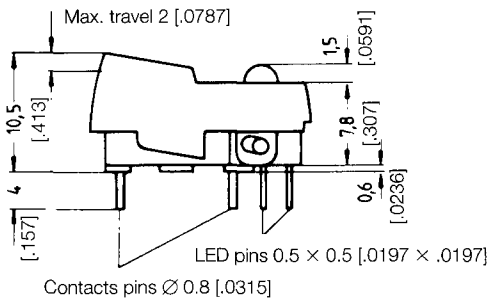
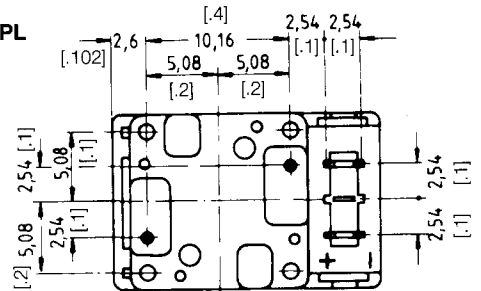
Ordering code: see next page.

Dimensional Drawings · Dimensions in mm [inch]

DMB



MDPL



Ordering code		1	2	3	4	5	6
		Example:					
		DMB	2	S	40-50	BTN	90
1	Designation: DMB, MDPL	→	→	→	→	→	→
2	LED: 0 = without, 1 = 1 LED 2 = 2 LED	→	→	→	→	→	→
3	Contact material: S = silver, G = gold	→	→	→	→	→	→
4	LED color: 40 = red, 50 = green, 30 = yellow, 40-50 = red-green, 40-30 = red-yellow	→	→	→	→	→	→
5	Button: BTN	→	→	→	→	→	→
5	Button color: 00 = white, 20 = light grey, 30 = yellow, 40 = red, 50 = green, 60 = blue, 80 = ivory, 90 = black	→	→	→	→	→	→