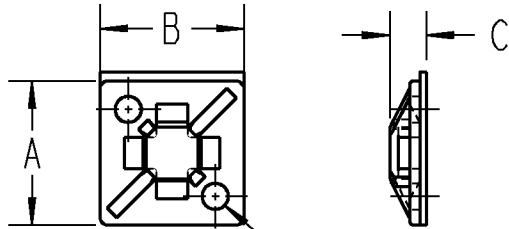


# Ty-Rap

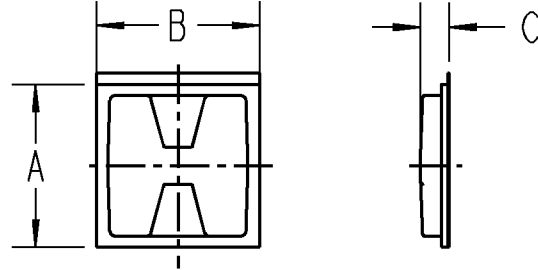
NOTICE:  
DUE TO VARIATIONS IN DETECTION EQUIPMENT SENSITIVITY AND DIFFERENCES IN FOOD DENSITY, DETECTABILITY TESTING OF THIS PRODUCT FOR THE INTENDED FOOD PROCESSING ENVIRONMENT IS RECOMMENDED BEFORE USING.

FIG. I



SCREW SIZE  
(PAN HEAD)

FIG. III



MATERIAL:

NDT SUFFIX - NYLON

PDT SUFFIX - POLYPROPYLENE

ADHESIVE: PRESSURE SENSITIVE FOAM

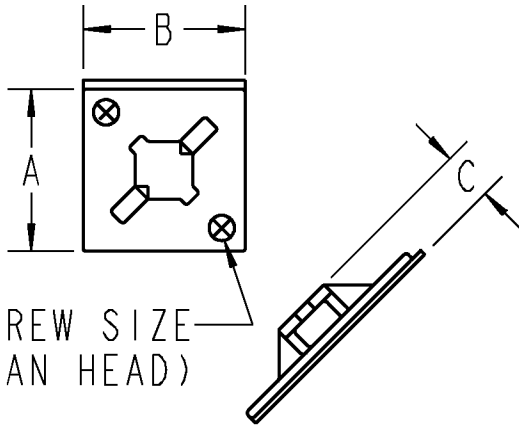
COLOR: BLUE

APPLY TO CLEAN, DRY SURFACE AT A TEMPERATURE OF 65°F(18°C) OR ABOVE.

STORE IN COOL, DRY PLACE BELOW 76°F(24°C), AWAY FROM HEAT AND LIGHT.

DETECTABLE WITH METAL AND X-RAY DETECTION EQUIPMENT.

FIG. III



SCREW SIZE  
(PAN HEAD)

BULK PACK CATALOG NUMBERS IDENTIFIED IN TABLE,  
STANDARD PACK HAS A 5 AFTER THE TC (e.g. TC5342A-NDT).

TC347A-PDT	III	.30	1.125	1.125	.34	#8
TC347A-NDT	III	.30	1.125	1.125	.34	#8
TC344A-PDT	I	.14	.750	.750	.19	#5
TC344A-NDT	I	.14	.750	.750	.19	#5
TC342A-PDT	II	.19	1.125	1.125	.25	---
TC342A-NDT	II	.19	1.125	1.125	.25	---
CATALOG No.	FIG.	MAX. CABLE TIE WIDTH	A	B	C	SCREW SIZE

**GENERAL NOTES**

1. ALL DIMENSIONS ARE FOR REFERENCE ONLY.
2. DIMENSIONS IN BRACKETS [ ] ARE IN METRIC UNITS.

**REVISIONS**

\*\* SEE ERN ( \*\*\*\* ) FOR APPROVAL SIGNATURES & RELEASE DATE.  
PROJECT NO: \*\*\*\*

**Thomas & Betts**  
www.tnb.com

DESCRIPTION: **DETECTABLE MOUNTING BASES,  
ADHESIVE**

ORIGINAL PROJECT NO / ( ERN NO )

009D000294 / (2013989)

SHEET NO:

1 OF 1

REV. NO:

\*\*

DRAWING NO:

**WSD-001087**