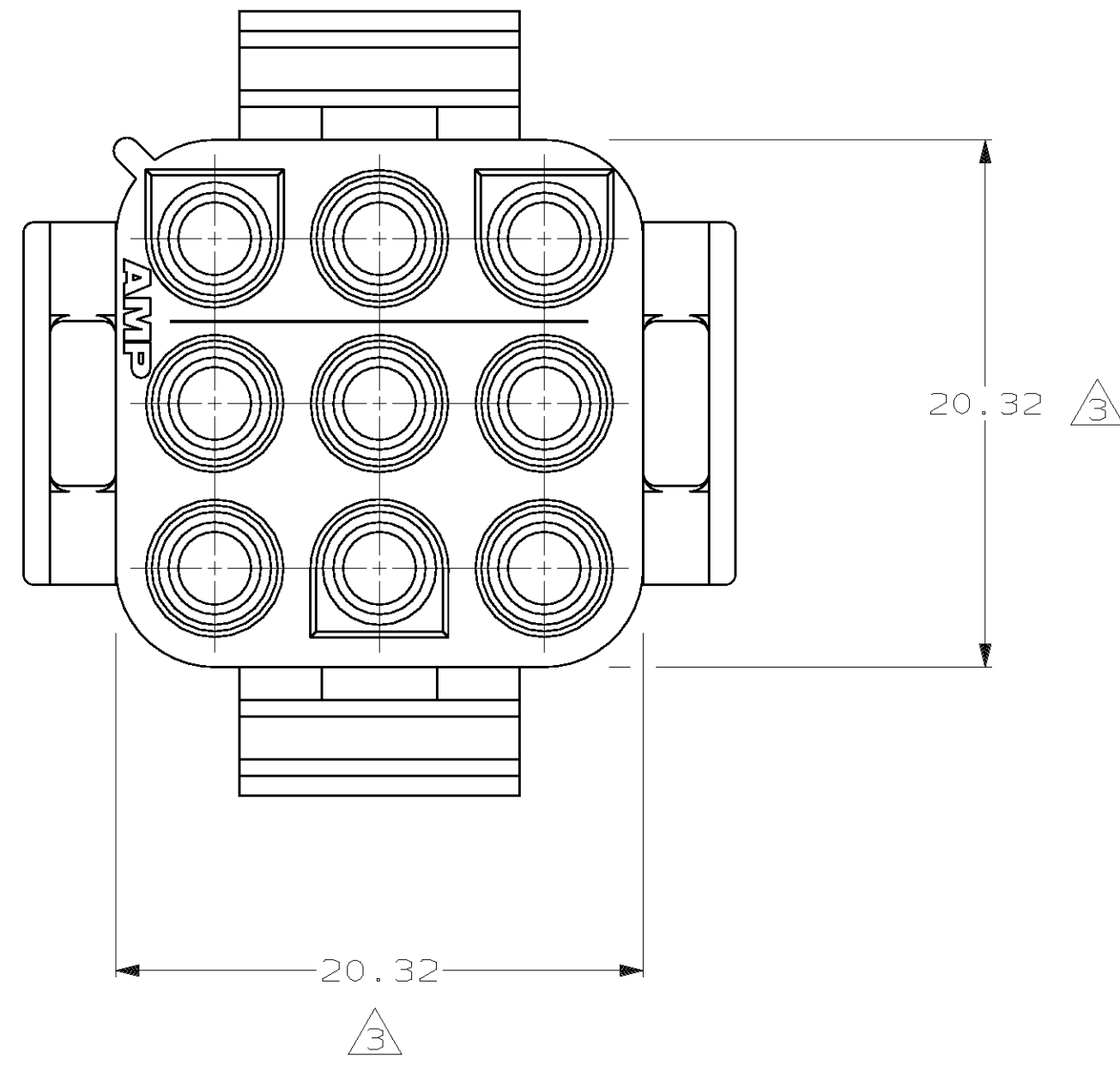
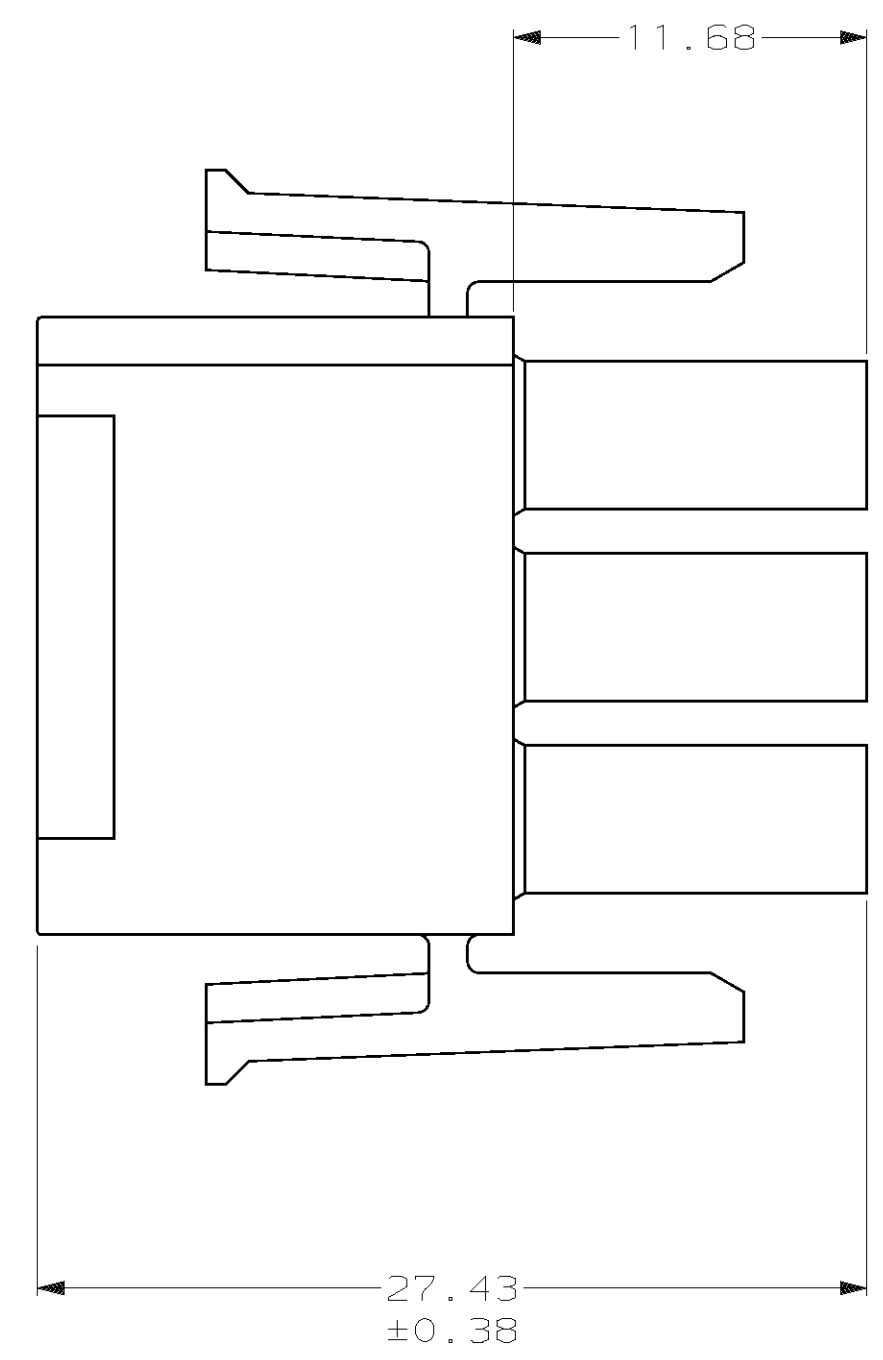
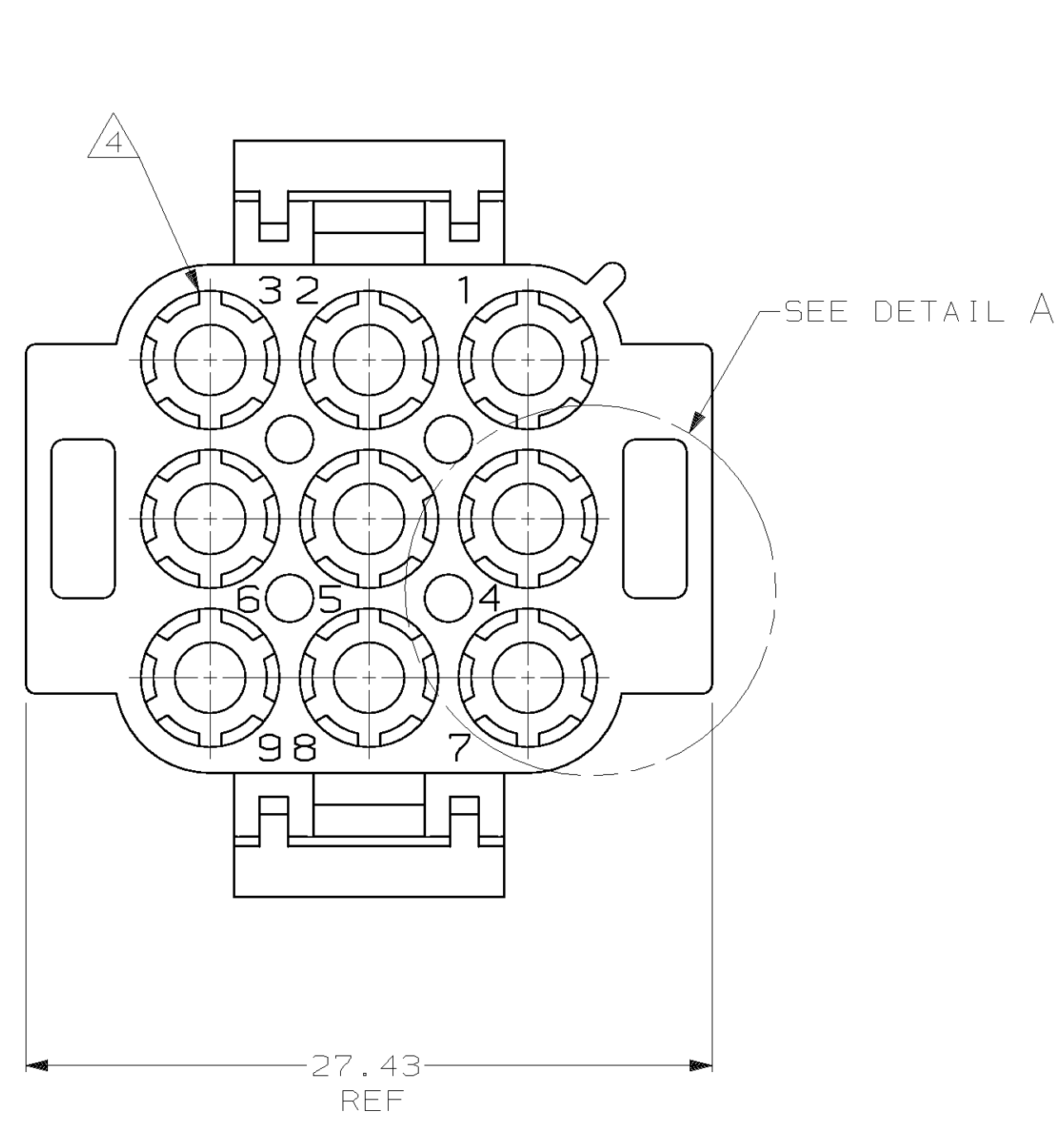
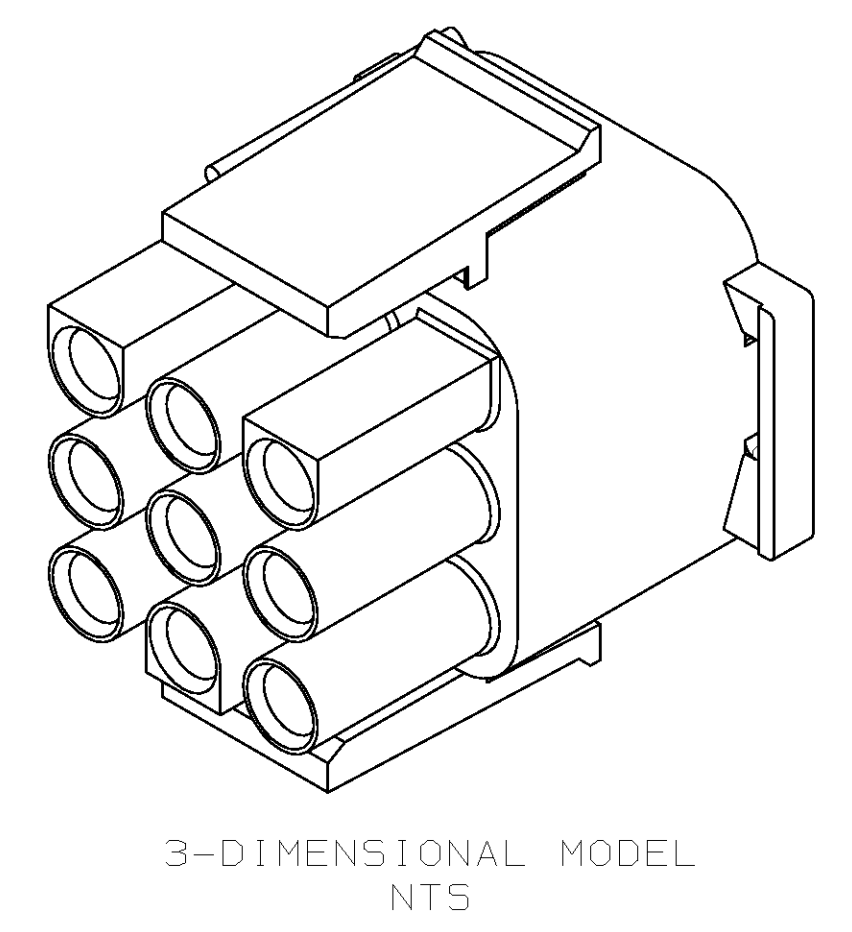
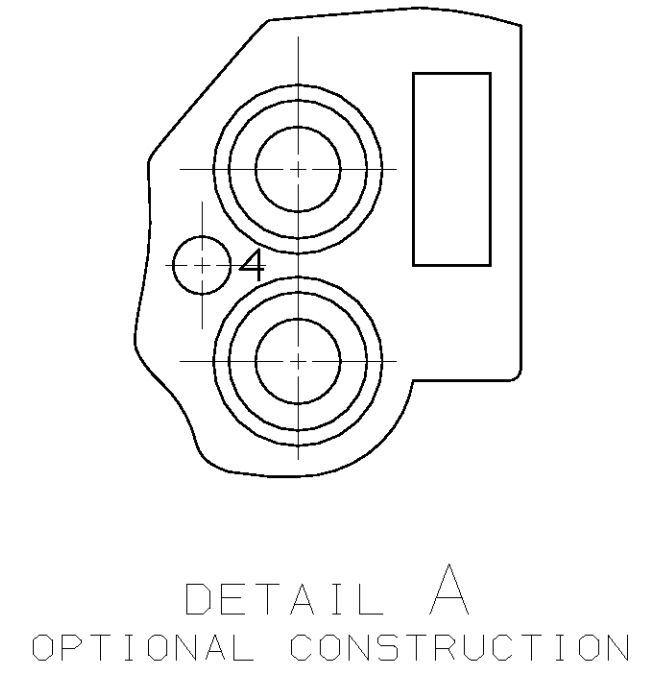
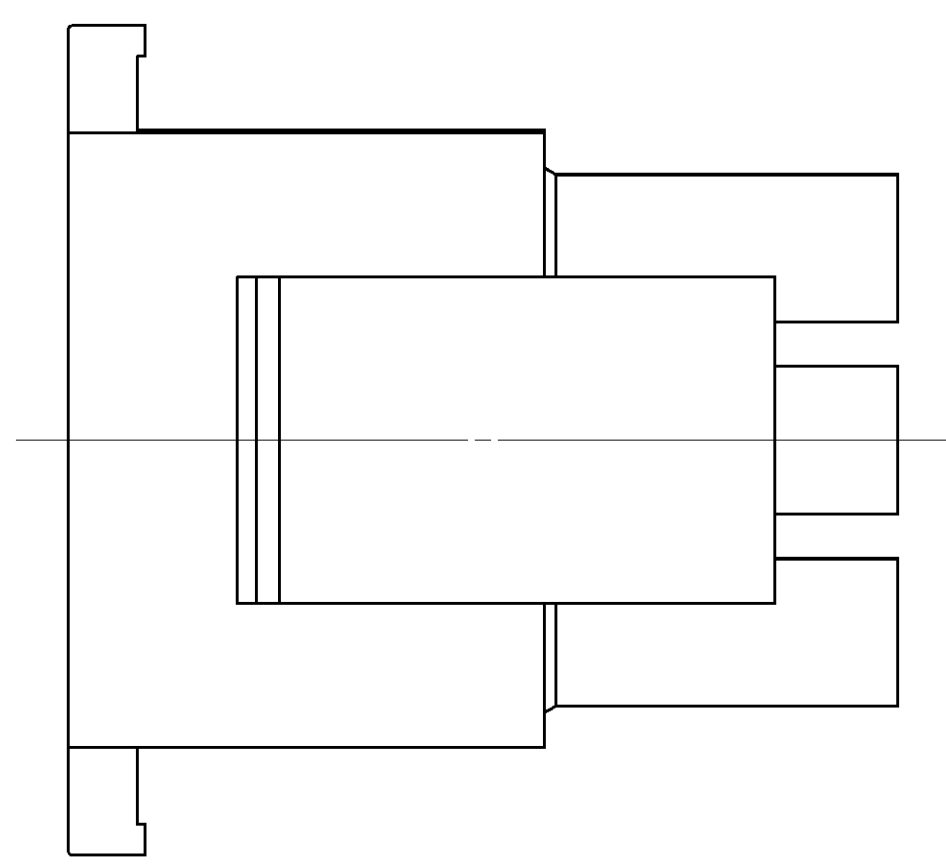


LOC		DIST		P		F		ZONE		LTR		REVISIONS		
CM	53											DESCRIPTION	DATE	APPD
												REV PER EC OL30-0007-97	2-12-97	JH RS



- MATES WITH APPROPRIATE UNIVERSAL MATE-N-LOK™ CAP OR HEADER.
 - SMALL NICKS ARE PERMITTED ON THE CIRCUIT TOWERS WHICH COULD INCREASE THE INITIAL HOUSING MATING FORCE BY UP TO 4.4 NEWTONS [1.0 LBS]. NO INDIVIDUAL NICKED TOWER SHALL INCREASE THIS FORCE BY OVER 2.2 NEWTONS [0.5 LBS].
- 3 DIMENSION INDICATED IS AS MOLDED. ADDITIONAL GROWTH DUE TO SUBSEQUENT MOISTURE ABSORPTION MAY OCCUR.
- 4 SIX RIBS EQUALLY SPACED, NO SPECIFIC ORIENTATION.



MM	IN
27.43	1.080
20.32	.800
11.68	.460
0.38	.015
0.13	.005
MM	IN

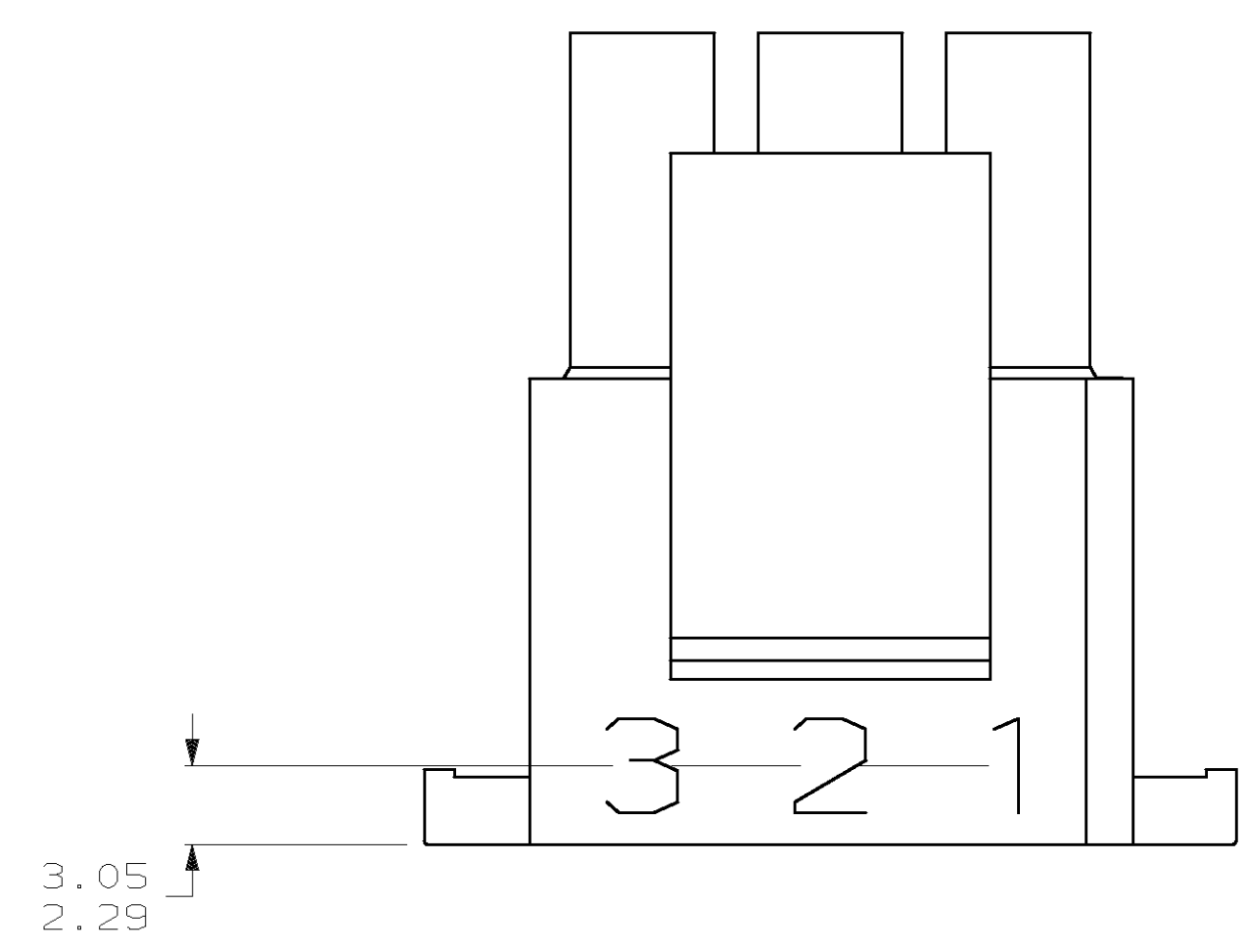
CONVERSION TABLE



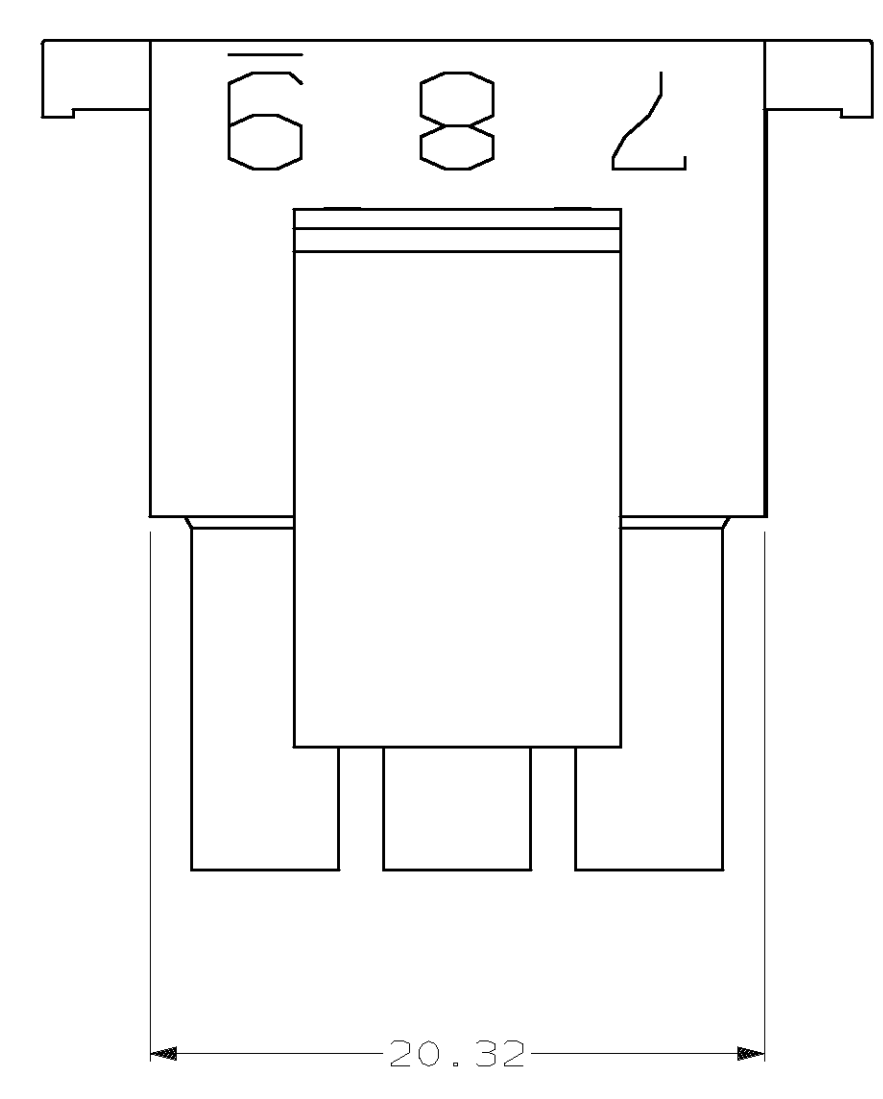
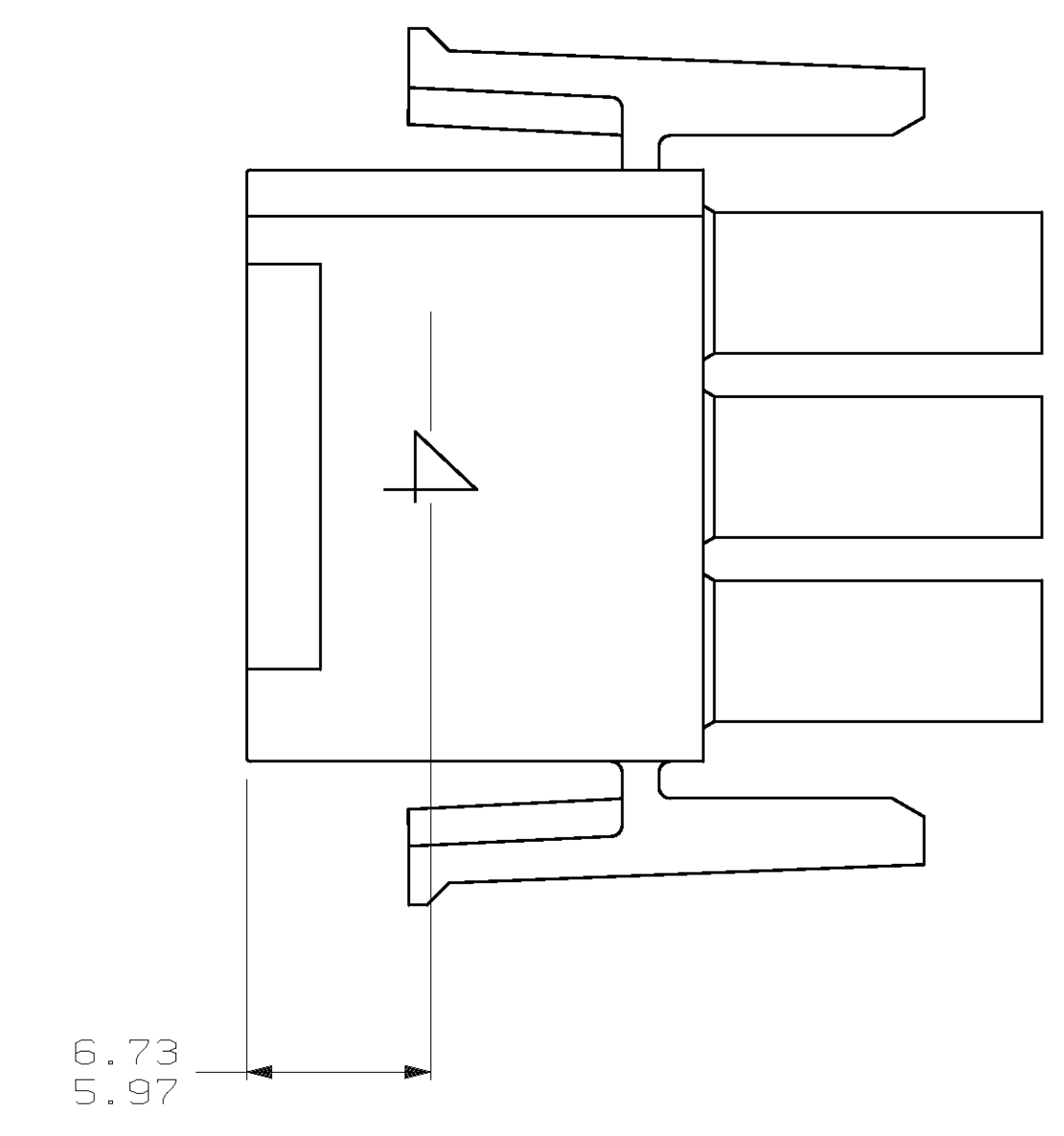
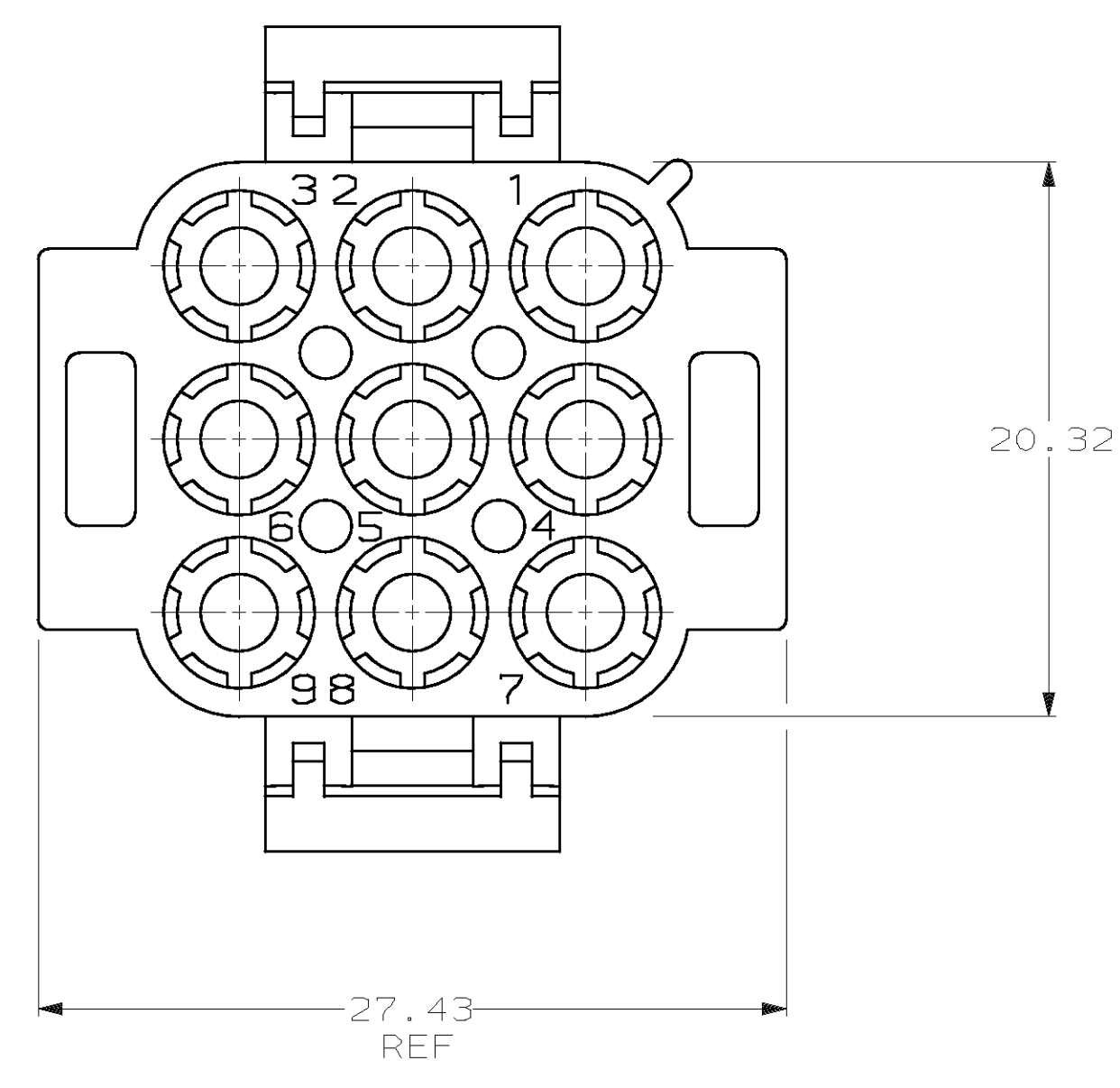
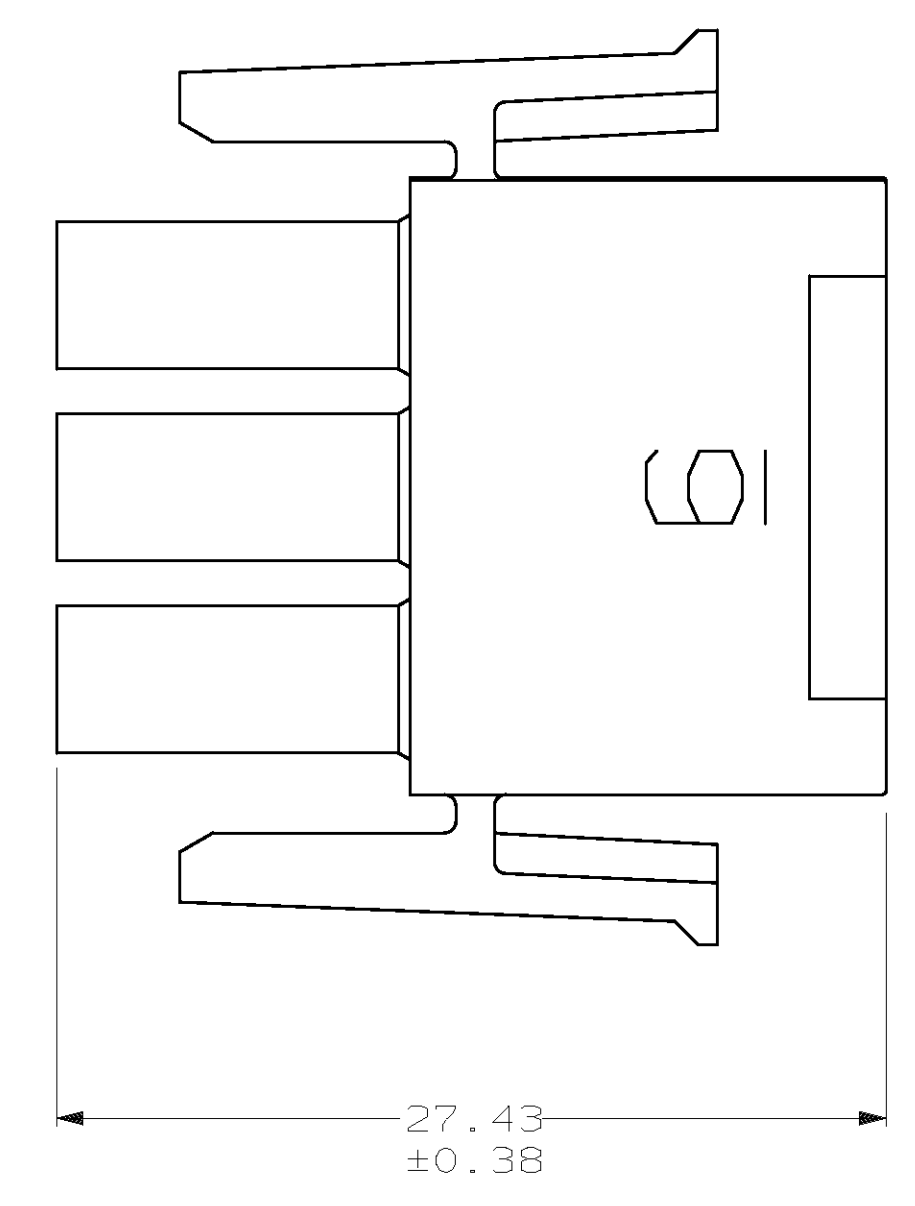
BLACK	1-480706-9
RED	1-480706-2
BROWN	1-480706-1
NATURAL	1-480706-0
COLOR	PART NO

DO NOT SCALE PRINT. UNLESS SPECIFIED DIMENSIONS IN mm (INCHES)		DR 1-10-92 K. WHITAKER		AMP Incorporated Harrisburg, PA 17105-3608	
TOLERANCES ON:		CHK 1-10-92 R. SWING			
2 PLC DEC ± 0.13		APPD 1-13-92 D. SELF		NAME PLUG, 9 CIRCUIT, UNIVERSAL MATE-N-LOK™	
3 PLC DEC ± -		APPD 1-13-92 D. SELF		SIZE D 00779	
ANGLES ± 0°30'		PRODUCT SPEC		DRAWING NO 480706	
MATERIAL NYLON, UL 94V-2		APPLICATION SPEC		CAGE CODE 00779	
FINISH		WEIGHT		SCALE 4:1	
				SHEET 1 OF 2	

LOC		DIST		P		F		ZONE		LTR		REVISIONS			
CM	53											DESCRIPTION	DATE	APPD	
												AD	SEE SHEET 1		



1. STAMP NUMBERS 3.18 HIGH AT WIRE END OF HOUSING (12 POINT DAVID TYPE).
2. CHARACTERS TO BE POSITIONED ON HOUSING TO BE READ FROM WIRE END ONLY.
3. VIOLET, BLACK, BROWN, AND BLUE COLORED BLOCKS TO BE STAMPED WITH WHITE CHARACTERS. ALL OTHER COLORED BLOCKS TO BE STAMPED WITH BLACK CHARACTERS.



MM	IN	MM	IN
3.18	.125	-	-
3.05	.120	27.43	1.080
2.29	.090	20.32	.800
0.38	.015	6.73	.265
0.13	.005	5.97	.235

CONVERSION TABLE

METRIC

DO NOT SCALE PRINT. UNLESS SPECIFIED DIMENSIONS IN mm (INCHES)		DR 1-10-92 K. WHITAKER		NATURAL		2-480706-0	
TOLERANCES ON:		CHK 1-10-92 R. SWING		COLOR		PART NO	
2 PLC DEC ± 0.13		APPD 1-13-92 D. SELF		AMP AMP Incorporated Harrisburg, PA 17105-3608			
3 PLC DEC ± -		APPD 1-13-92 D. SELF					
ANGLES ± 0°30'		PRODUCT SPEC -		NAME PLUG, 9 CIRCUIT, UNIVERSAL MATE-N-LOK™			
MATERIAL -		APPLICATION SPEC -		SIZE	CAGE CODE	DRAWING NO	
FINISH -		WEIGHT -		D	00779	480706	
				SCALE	SHEET		
				4:1	2 OF 2		