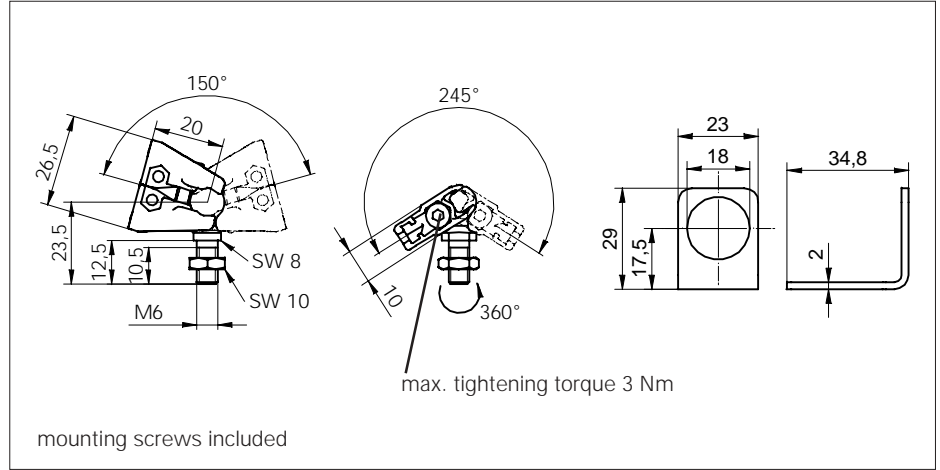


# SENSOFIX series 18 RD

### Art.-Code: 151658

- large freedom of movement makes it simple to adjust the sensor
- assemble on plates, profiles, sheet metals with only one screw
- mounting at a rod  $\varnothing 8$  mm is possible
- different mounting versions
- Higher operational safety of the sensors benefits though the exact adjustment



Technical data	
Material:	jaw
Material:	screw with ball-shaped head
Material:	steel sheet
Material:	screw, nut

	stainless steel
	steel galvanized
	stainless steel
	steel galvanized

