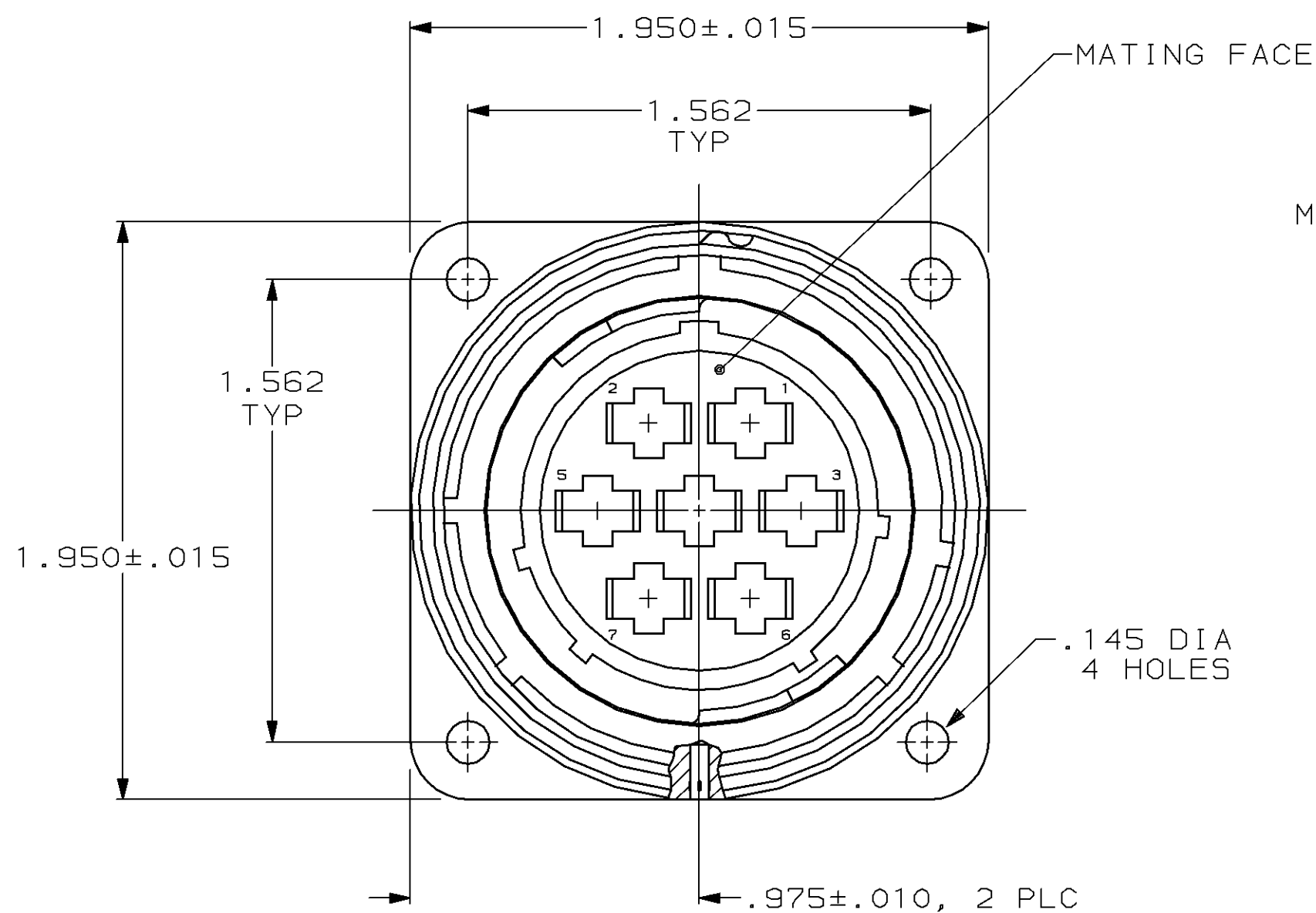


MOD		LOC		DIST		REVISIONS				
P	F	ZONE	LTR	DESCRIPTION	DATE	APPD				
4	BD	35					J	REDRAWN	6-27-91	-
							K	OBS -2 PER EC 0020-0394-93	11/17/94	RK



RECEPTACLE, REV SEX  
 ARRANGEMENT 23-7  
 MATERIAL: THERMOPLASTIC  
 COLOR: BLACK

METAL SHELL RECEPTACLE  
 MATERIAL: ZINC ALLOY  
 FINISH: NICKEL PLATED PER QQ-N-290

GROOVE PIN, 2 PLC  
 MATERIAL: STEEL ALLOY  
 FINISH: NICKEL PLATED  
 PER QQ-N-290

PERIPHERAL SEAL  
 SEE TABLE

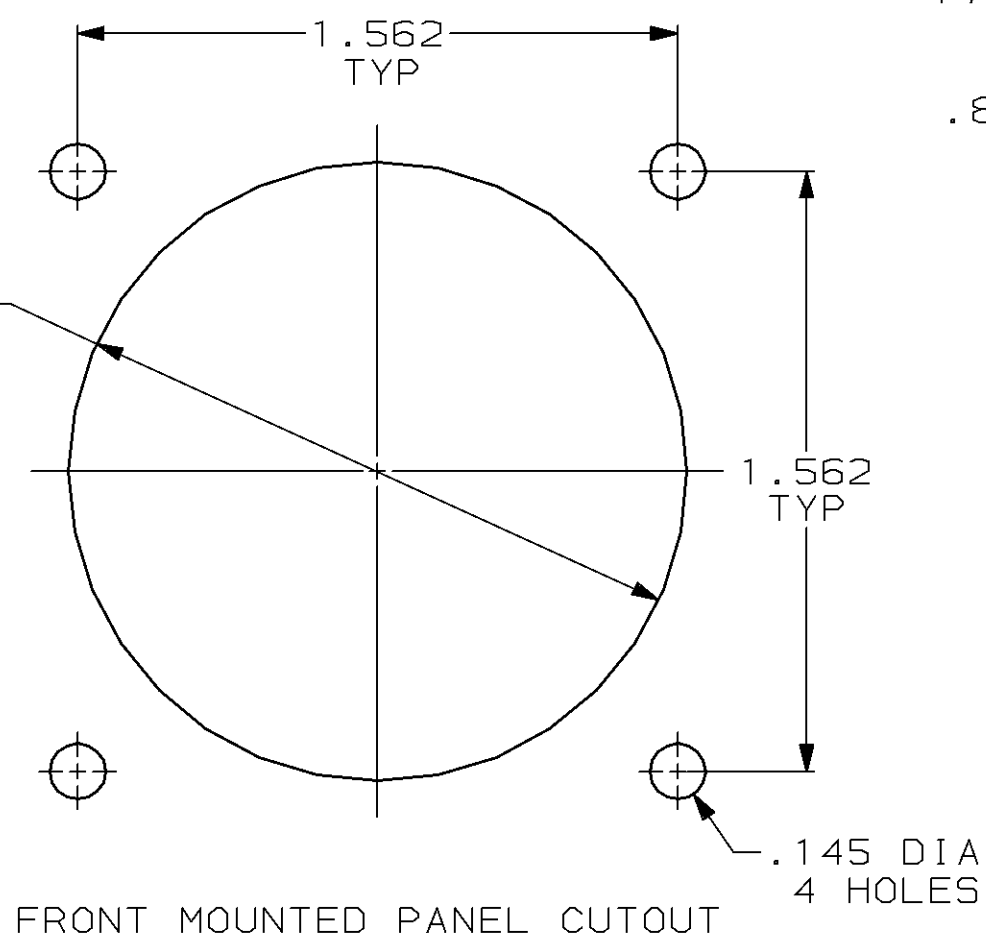
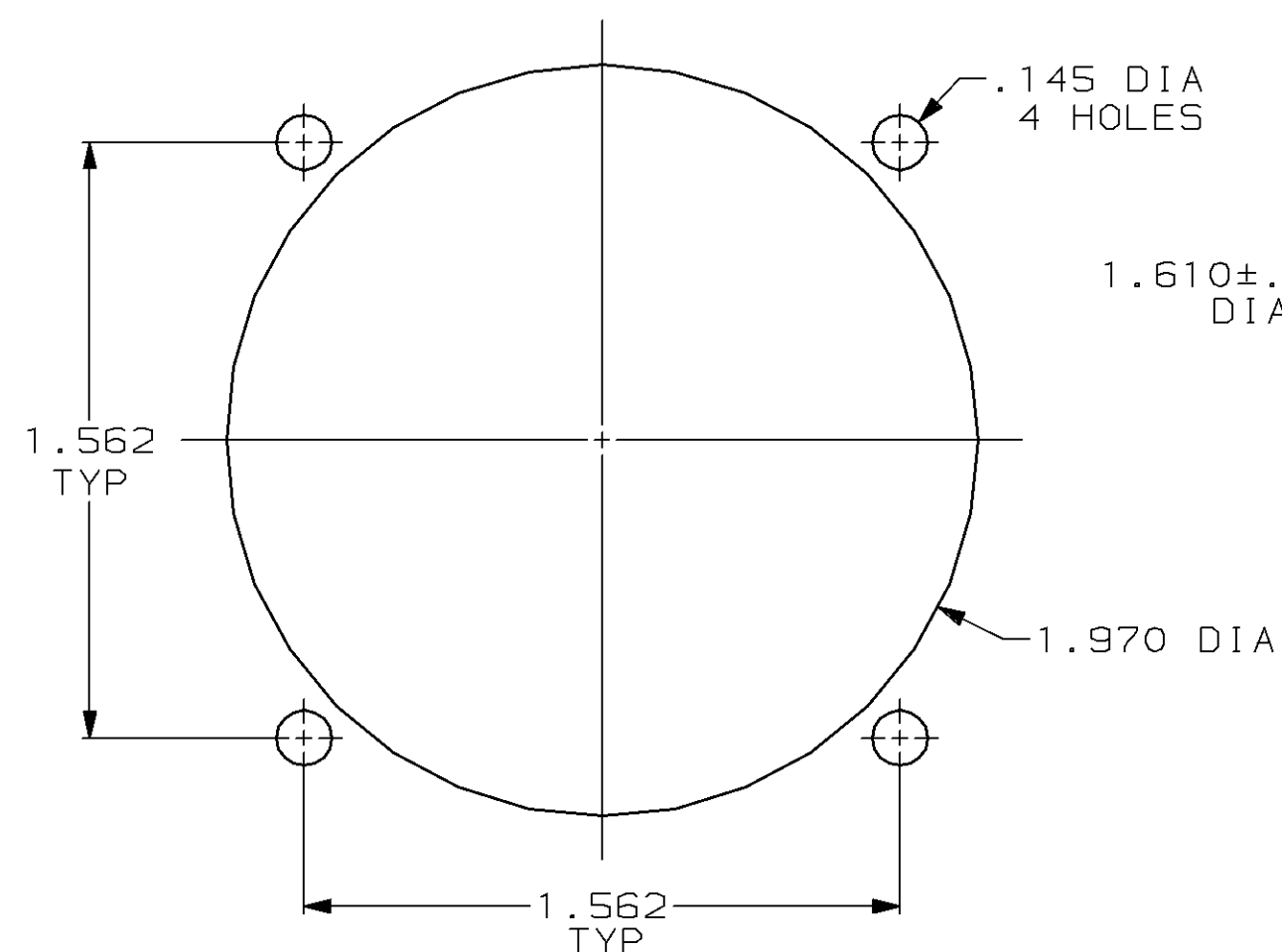
1.900 MAX

.125 MAX  
 PANEL THK

.125±.010

.875±.010

1.825 MAX



REAR MOUNTED PANEL CUTOUT

OBSOLETE	YES	208485-2
	NO	208485-1
	PERIPHERAL SEAL	PART NUMBER

- 208485-1 MATES WITH AMP PLUG 208484-1 OR -3. 208485-2 MATES WITH 208484-1 ONLY.
- AMP PART NUMBER AND DATE CODE TO BE LOCATED ON EDGE OF FLANGE.

DO NOT SCALE PRINT. UNLESS SPECIFIED DIMENSIONS IN INCHES TOLERANCES ON :	DR 6-27-91 R.LEE BG	AMP Incorporated Harrisburg, PA 17105-3608
	CHK 4-14-92 W.G.LENKER	
MATERIAL SEE CALLOUT	APPD 4-14-92 K.BEAVER	NAME RECEPTACLE ASSEMBLY, REV SEX, SERIES 3, 28-7, CMC
	APPD 4-15-92 C.ROHDE	
FINISH SEE CALLOUT	PRODUCT SPEC 108-10040	SIZE C 00779
	APPLICATION SPEC -	CAGE CODE 00779
	WEIGHT -	DRAWING NO 208485
		SCALE 2:1
		SHEET 1 OF 1