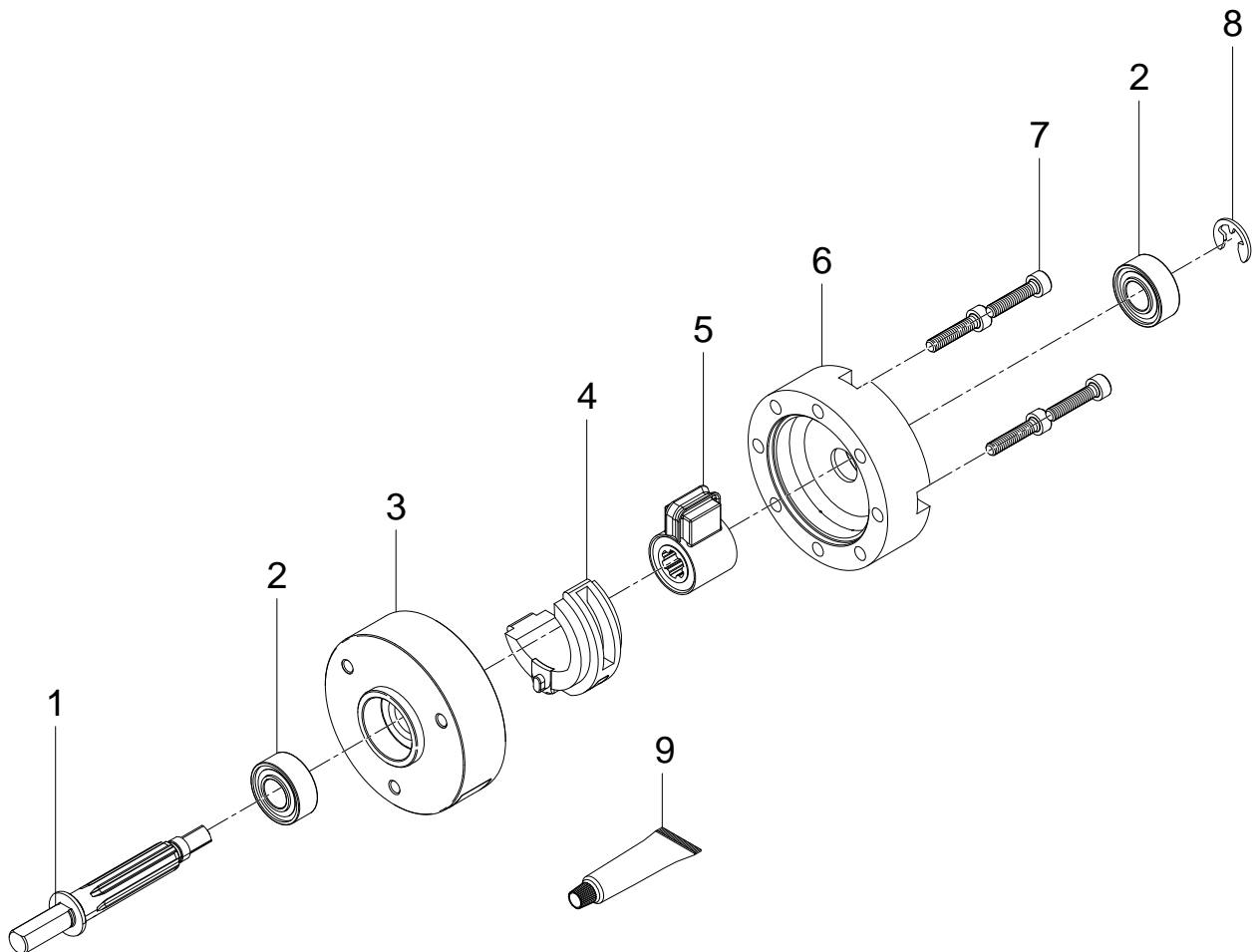


1845708 DRVS-8-90-P Semi-rotary drive - Series: All



1845708 DRVS-8-90-P Semi-rotary drive - Series: All

| Pos. | Part no. | Type | Note | Qty. | Unit |
|------|----------|--|--|------|------|
| A | 8173166 | DRVS-8 Set of wearing parts | Spare parts: 4, 5, 9 ▶ Replacing the wearing parts | 1 | PC |
| 1 | | DSM- 8- Shaft | Not available | 1 | PC |
| 2 | 365878 | D616-686-2Z Deep groove ball bearing | | 2 | PC |
| 3 | | DRVS-8:1 Housing | Not available Grease using during assembly. See position 9 | 1 | PC |
| 4 | | DSM-8-90 Chamber seal | Not available separately, see position A Grease using during assembly. See position 9 | 1 | PC |
| 5 | | DSM- 8- Vane | Not available separately, see position A | 1 | PC |
| 6 | | DSM-8:RI Housing | Not available Grease using during assembly. See position 9 | 1 | PC |
| 7 | | ISO 4762-M2,5X12-8.8 Socket head screw | Not available | 4 | PC |
| 8 | | DIN 6799-4 Retaining washer | Not available | 1 | PC |
| 9 | 684474 | LUB-KC1 SILIKONFREI 20ML Lubricating grease | | 1 | PC |