

# PRODUCT DATASHEET

## L 18 W/840

LUMILUX T8 | Tubular fluorescent lamps 26 mm, with G13 bases



---

### AREAS OF APPLICATION

- Public buildings
- Office lighting
- Industry
- Shops
- Supermarkets and department stores
- Street lighting
- Outdoor applications only in suitable luminaires

---

### PRODUCT BENEFITS

- Proven lamp technology
- Good economy thanks to high efficiency
- Available in many different light colors (2,700...8,000 K) for various applications

---

### PRODUCT FEATURES

- Very good lumen maintenance: 90 % throughout the service lifetime of the lamp
- Good color rendering group: 1B ( $R_a$ : 80...89)
- Dimmable
- Top-quality three-band phosphor: LUMILUX



**TECHNICAL DATA**

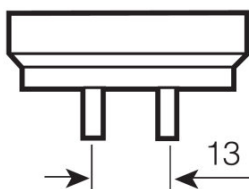
Electrical data

|                                     |   |
|-------------------------------------|---|
| Nominal voltage                     | 57.0 V  |
| Rated lamp efficacy (HF data 25 °C) | Under clarification by authority and standardization body |
| Rated wattage                       | 18.00 W   |
| Nominal wattage                     | 18.00 W   |

Photometrical data

|  |                    |
|--|--------------------|
| Rated lamp efficacy (standard condition) | 75 lm/W            |
| Color rendering index Ra                 | ≥80                |
| Luminous flux at 25 °C                   | 1350 lm            |
| Light color                              | 840                |
| Rated color temperature                  | 4000 K             |
| Nominal luminous flux                    | 1350 lm            |
| Light color (designation)                | LUMILUX Cool White |
| Rated LLMF at 2,000 h                    | 0.95               |
| Rated LLMF at 4,000 h                    | 0.92               |
| Rated LLMF at 6,000 h                    | 0.91               |
| Rated LLMF at 8,000 h                    | 0.90               |
| Rated LLMF at 12,000 h                   | 0.80               |
| Rated LLMF at 16,000 h                   | 0.90               |
| Rated LLMF at 20,000 h                   | 0.89               |
| Color temperature                        | 4000 K             |
| Luminous flux                            | 1350 lm            |
| Color rendering index Ra                 | ≥80                |

Dimensions & weight



G13  
IEC 7004-51  
DIN 49653 T1

|               |          |
|---------------|----------|
| Tube diameter | 26 mm    |
| Length        | 590.0 mm |

|  |           |
|--|-----------|
| <b>Length with base excl. base pins/connection</b> | 590.00 mm |
| <b>Diameter</b>                                    | 26.0 mm   |
| <b>Maximum diameter</b>                            | 26.0 mm   |

#### Temperatures & operating conditions

|   |         |
|---|---------|
| <b>Rated ambient temp.w.max.luminous flux</b> | 25.0 °C |
|---|---------|

#### Lifespan

|   |                       |
|---|-----------------------|
| <b>Service life</b>                           | 18000 h <sup>1)</sup> |
| <b>Lifespan</b>                               | 20000 h <sup>1)</sup> |
| <b>Rated lamp survival factor at 2,000 h</b>  | 0.99                  |
| <b>Rated lamp survival factor at 4,000 h</b>  | 0.99                  |
| <b>Rated lamp survival factor at 6,000 h</b>  | 0.99                  |
| <b>Rated lamp survival factor at 8,000 h</b>  | 0.90                  |
| <b>Rated lamp survival factor at 12,000 h</b> | 0.70                  |
| <b>Rated lamp survival factor at 16,000 h</b> | 0.45                  |
| <b>Rated lamp survival factor at 20,000 h</b> | 0.50                  |
| <b>Operation mode LLMF/LSF</b>                | HF                    |
| <b>Rated lamp life time</b>                   | 20000 h               |
| <b>Nominal lamp life time</b>                 | 20000 h               |

<sup>1)</sup> With preheat ECG

#### Additional product data

|                                    |        |
|------------------------------------|--------|
| <b>Base (standard designation)</b> | G13    |
| <b>Mercury content</b>             | 2.5 mg |
| <b>Show WEEE picto</b>             | Yes    |

#### Capabilities

|                            |     |
|----------------------------|-----|
| <b>Dimmable</b>            | Yes |
| <b>Suitable for indoor</b> | Yes |

#### Certificates & standards

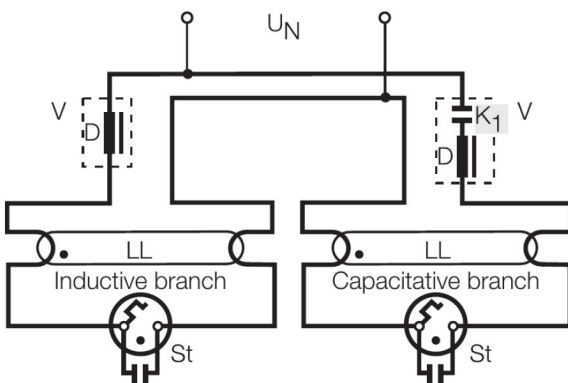
|                                |              |
|--------------------------------|--------------|
| <b>Energy efficiency class</b> | A            |
| <b>Energy consumption</b>      | 22 kWh/1000h |

## Light Distribution



Spectral power distribution

## Wiring Diagram



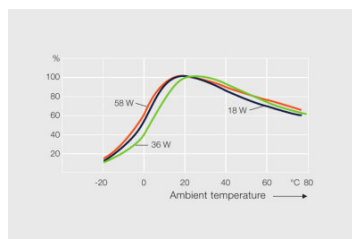
Wiring diagram

**SYSTEM GUARANTEE**

OSRAM System+ Guarantee in combination with OSRAM ECGs

**SAFETY ADVICE**

In case of lamp breakage: [www.ledvance.com/brokenlamp](http://www.ledvance.com/brokenlamp)



Others graphics

**LOGISTICAL DATA**

| Product code  | Packaging unit (Pieces/Unit) | Dimensions (length x width x height) | Gross weight | Volume                |
|---------------|------------------------------|--------------------------------------|--------------|-----------------------|
| 4050300517797 | Sleeves<br>1                 | 605 mm x 27 mm x 27 mm               | 97.00 g      | 0.44 dm <sup>3</sup>  |
| 4050300517803 | Shipping carton box<br>25    | 632 mm x 194 mm x 145 mm             | 2625.00 g    | 17.78 dm <sup>3</sup> |

The mentioned product code describes the smallest quantity unit which can be ordered. One shipping unit can contain one or more single products. When placing an order, for the quantity please enter single or multiples of a shipping unit.

**REFERENCES / LINKS**

For more information on the system guarantee and the terms and conditions of the guarantee visit

- ▶ [www.ledvance.com/system-guarantee](http://www.ledvance.com/system-guarantee)

**DISCLAIMER**

Subject to change without notice. Errors and omission excepted. Always make sure to use the most recent release.

## LUMILUX T8 | Tubular fluorescent lamps 26 mm, with G13 bases

| Product name | Product name ECG         | EAN           | Nominal current | Nominal wattage + Power loss | Luminous flux at 35 °C | Number of lighting outlets |
|--------------|--------------------------|---------------|-----------------|------------------------------|------------------------|----------------------------|
| L 18 W/840   | QT 1x18 DIM              | 4008321645647 | 0.08 A          | 18.90 W                      | 1350 lm                | 1                          |
|              | QT 2x18 DIM              | 4008321645852 | 0.17 A          | 37.70 W                      | 1350 lm                | 2                          |
|              | QT-ECO 1x18-24/220-240 L | 4050300660417 | 0.14 A          | 19.00 W                      | 1250 lm                | 1                          |
|              | QT-ECO 1x18-24/220-240 S | 4050300638560 | 0.14 A          | 19.00 W                      | 1250 lm                | 1                          |
|              | QT-FIT 5/8 1x18-39       | 4008321873927 | 0.10 A          | 21.00 W                      | 1350 lm                | 1                          |
|              | QT-FIT 5/8 2x18-39       | 4008321873903 | 0.17 A          | 39.00 W                      | 1350 lm                | 2                          |
|              | QT-FIT8 1x18             | 4008321294180 | 0.09 A          | 19.00 W                      | 1350 lm                | 1                          |
|              | QT-FIT8 2x18             | 4008321294241 | 0.16 A          | 36.00 W                      | 1350 lm                | 2                          |
|              | QT-FIT8 3x18, 4x18       | 4008321294302 | 0.25 A          | 54.00 W                      | 1350 lm                | 3                          |
|              | QT-FIT8 3x18, 4x18       | 4008321294302 | 0.33 A          | 74.00 W                      | 1350 lm                | 4                          |
|              | QTi 1x14/24/21/39 GII    | 4008321383334 | 0.09 A          | 19.00 W                      | 1350 lm                | 1                          |
|              | QTi 1x18 DIM             |               | 0.08 A          | 19.00 W                      | 1350 lm                | 1                          |
|              | QTi 2x14/24/21/39 GII    | 4008321383396 | 0.17 A          | 37.00 W                      | 1350 lm                | 2                          |
|              | QTi 3x18 DIM             | 4008321069931 | 0.24 A          | 53.60 W                      | 1350 lm                | 3                          |
|              | QTi 4x18 DIM             | 4008321070012 | 0.31 A          | 69.30 W                      | 1350 lm                | 4                          |
|              | QTi DALI 1x18 DIM        | 4050300870403 | 0.08 A          | 18.30 W                      | 1350 lm                | 1                          |
|              | QTi DALI 2x18 DIM        | 4050300870526 | 0.16 A          | 36.50 W                      | 1350 lm                | 2                          |
|              | QTi DALI 3x18 DIM        | 4008321069979 | 0.24 A          | 53.60 W                      | 1350 lm                | 3                          |
|              | QTi DALI 4x18 DIM        | 4008321070050 | 0.31 A          | 69.30 W                      | 1350 lm                | 4                          |
|              | QTP-DL 1x18-24           | 4008321117861 | 0.09 A          | 18.00 W                      | 1300 lm                | 1                          |
|              | QTP-DL 2x18-24           |               | 0.17 A          | 37.00 W                      | 1300 lm                | 2                          |
|              | QTP-M 1x26-42            | 4008321329134 | 0.10 A          | 19.00 W                      | 1350 lm                | 1                          |
|              | QTP-M 2x26-32            | 4008321329158 | 0.17 A          | 36.00 W                      | 1350 lm                | 2                          |

| Product name | Product name ECG    | EAN           | Nominal current | Nominal wattage + Power loss | Luminous flux at 35 °C | Number of lighting outlets |
|--------------|---------------------|---------------|-----------------|------------------------------|------------------------|----------------------------|
|              | QTP-OPTIMAL 1x18-40 | 4008321873743 | 0.10 A          | 20.00 W                      | 1350 lm                | 1                          |
|              | QTP-OPTIMAL 2x18-40 | 4008321873767 | 0.17 A          | 39.00 W                      | 1350 lm                | 2                          |
|              | QTz8 1x18           | 4008321863263 | 0.09 A          | 20.00 W                      | 1350 lm                | 1                          |
|              | QTz8 2x18           | 4008321863300 | 0.09 A          | 23.00 W                      | 1350 lm                | 2                          |
|              | QTz8 3x18           |               | 0.25 A          | 54.00 W                      | 1350 lm                | 3                          |
|              | QTz8 4x18           | 4008321863362 | 0.25 A          | 54.00 W                      | 1350 lm                | 4                          |

| Product name | Product name ECG         | EAN           | EEI – Energy Label |
|--------------|--------------------------|---------------|--------------------|
| L 18 W/840   | QT 1x18 DIM              | 4008321645647 |                    |
|              | QT 2x18 DIM              | 4008321645852 |                    |
|              | QT-ECO 1x18-24/220-240 L | 4050300660417 |                    |
|              | QT-ECO 1x18-24/220-240 S | 4050300638560 | A2                 |
|              | QT-FIT 5/8 1x18-39       | 4008321873927 |                    |
|              | QT-FIT 5/8 2x18-39       | 4008321873903 |                    |
|              | QT-FIT8 1x18             | 4008321294180 |                    |
|              | QT-FIT8 2x18             | 4008321294241 |                    |
|              | QT-FIT8 3x18, 4x18       | 4008321294302 |                    |
|              | QT-FIT8 3x18, 4x18       | 4008321294302 |                    |
|              | QTi 1x14/24/21/39 GII    | 4008321383334 |                    |
|              | QTi 1x18 DIM             |               |                    |
|              | QTi 2x14/24/21/39 GII    | 4008321383396 |                    |
|              | QTi 3x18 DIM             | 4008321069931 |                    |
|              | QTi 4x18 DIM             | 4008321070012 |                    |
|              | QTi DALI 1x18 DIM        | 4050300870403 |                    |
|              | QTi DALI 2x18 DIM        | 4050300870526 |                    |
|              | QTi DALI 3x18 DIM        | 4008321069979 |                    |
|              | QTi DALI 4x18 DIM        | 4008321070050 |                    |
|              | QTP-DL 1x18-24           | 4008321117861 |                    |

| Product name | Product name ECG    | EAN           | EEI – Energy Label |
|--------------|---------------------|---------------|--------------------|
|              | QTP-DL 2x18-24      |               |                    |
|              | QTP-M 1x26-42       | 4008321329134 |                    |
|              | QTP-M 2x26-32       | 4008321329158 |                    |
|              | QTP-OPTIMAL 1x18-40 | 4008321873743 |                    |
|              | QTP-OPTIMAL 2x18-40 | 4008321873767 |                    |
|              | QTz8 1x18           | 4008321863263 |                    |
|              | QTz8 2x18           | 4008321863300 |                    |
|              | QTz8 3x18           |               |                    |
|              | QTz8 4x18           | 4008321863362 |                    |