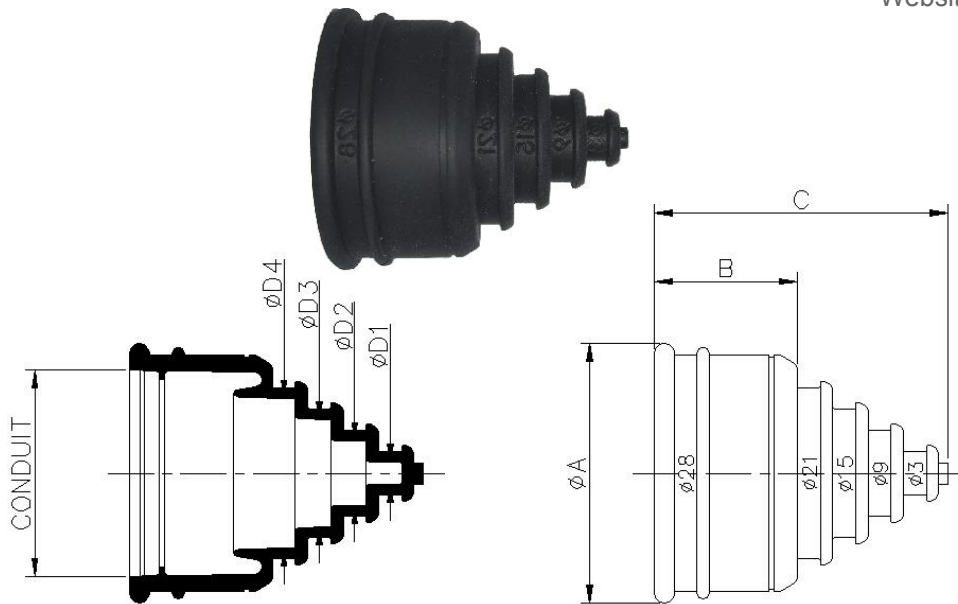


Technical Data Sheet:	DS216/0811
Product Description	Rubber End Cap for non-metallic corrugated conduit
Product Range	REC - Rubber End Cap

Roman Way, Coleshill
Birmingham
B46 1HG, United Kingdom
Tel: 00 44 (0)1675 466900
Website: www.flexicon.uk.com



Material:
Thermoplastic elastomer

Colour:
Black

Fire Performance:
- Halogen, Sulphur & Phosphorous Free

IP Rating:
Up to IP66 dependent on cable

Applications:
Pushes onto the end of the conduit to seal onto circular cable.

Features:

- UV Resistant
- Oil resistant
- Fast Fit
- Suitable for fine or coarse pitch conduits

Can be cable tied onto the conduit for added security and sealing

Can be used as a blanking cap

Temperature Performance:

-50°C to +120°C

Conduit size	Part No.	Nominal dimensions (mm)								
		A	B	C	D1	D2	D3	D4	D5	D6
10	REC10	20.5	16.0	27.0	3.0	7.0	N/A	N/A	N/A	N/A
13	REC13	20.5	16.0	27.0	3.0	7.0	N/A	N/A	N/A	N/A
16	REC16	22.7	17.5	33.6	3.0	7.0	11.0	N/A	N/A	N/A
21	REC21	28.4	18.8	38.3	3.0	7.0	11.0	15.0	N/A	N/A
28	REC28	36.2	19.8	40.8	3.0	9.0	15.0	21.0	N/A	N/A
34	REC34	42.5	21.0	42.3	3.0	10.0	17.0	25.0	N/A	N/A
42	REC42	51.3	21.0	47.0	5.0	12.0	19.0	26.0	34.0	N/A
54	REC54	63.1	21.0	51.9	5.0	12.0	19.0	27.0	35.0	46.0

Compliance, Approvals & Accreditation;



Typical Applications;



Errors, omissions and amendments excepted. As part of continuing product development Flexicon Ltd reserve the right to alter product specifications without prior notice. Data given is correct at time of compilation. Product specification and application data is for guidance only and does not constitute a warranty of any kind, either expressed or implied for Flexicon products or their suitability for a specific purpose. Third party approvals maybe limited to certain sizes within a product range.