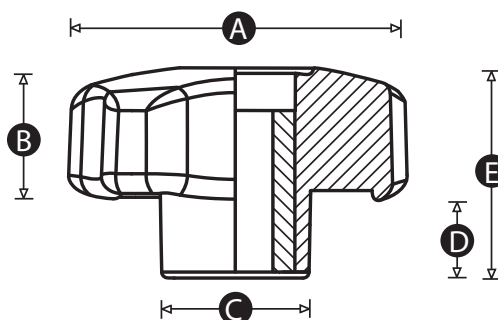


DataSheet
Through Thread Lobe Knob



Material

High impact resistant thermoplastic

Standard colour

Black

Finish

Matt

Female insert material

Zinc plated steel or stainless steel

Part No.	A	B	C	D	E	Thread size	Material	Insert material
7027617	28	16	14	9	25	M6	Polypropylene	Zinc plated steel
7027673	28	16	14	9	25	M6	Polypropylene	Stainless steel
7027611	40	17	18	12	29	M8	Polypropylene	Zinc plated steel
7027677	40	17	18	12	29	M8	Polypropylene	Stainless steel
7027686	50	19	21	12	31	M8	Polypropylene	Stainless steel
7027620	50	19	21	12	31	M10	Polypropylene	Zinc plated steel
7027689	50	19	21	12	31	M10	Polypropylene	Stainless steel
7027623	60	21	12	13	34	M12	Polypropylene	Zinc plated steel
7027683	60	21	12	13	34	M12	Polypropylene	Stainless steel