

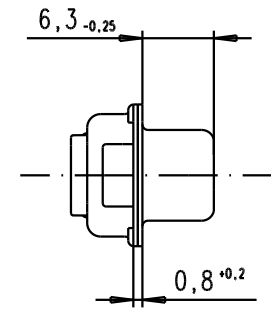
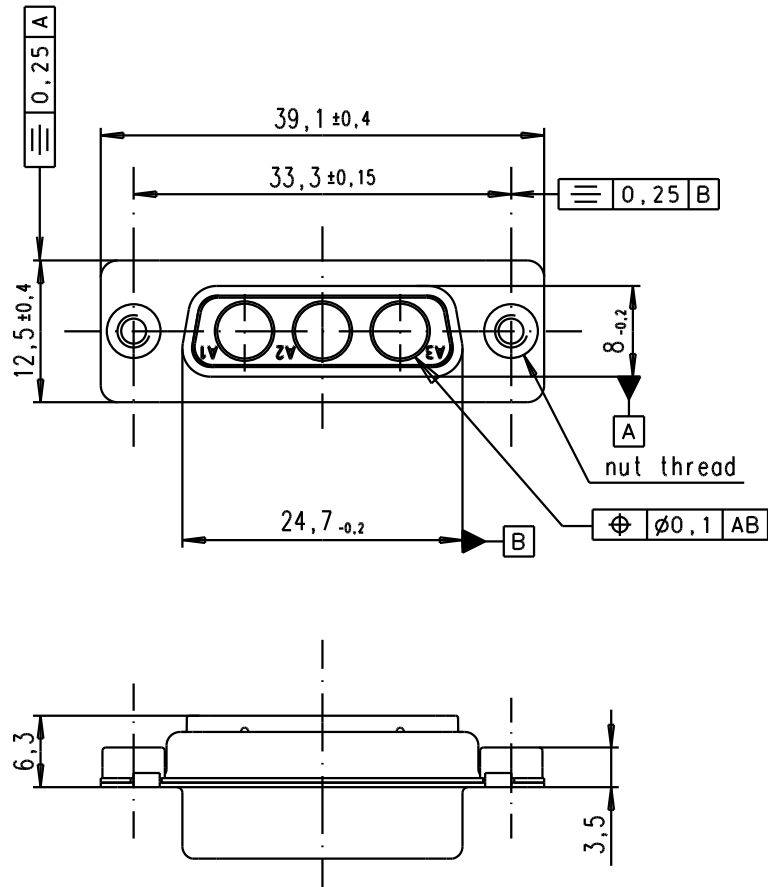
1 2 3 4 5 6

A

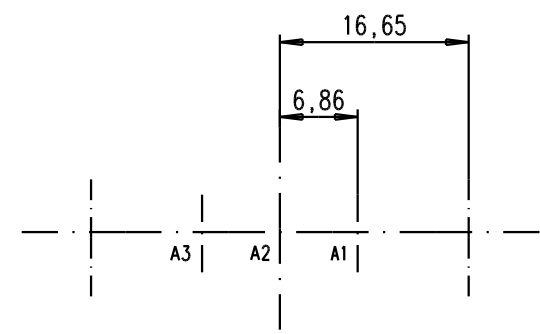
B

C

D



PCB layout, component side



09 69 240 0033	UNC 4-40
09 69 220 0033	M3
Part number	nut thread

32239	17/10/04	TR
Mod.	Dat.	Name

	Dat.	Name
Detail.	17/10/04	TR
Insp.		
Stand.		
HARTING EURL F-95972 Paris		



D-sub, female, straight, 3W3, unloaded shell with clinch nuts
TB 09 69 2X0 0033
Sub.

Moßstab/ Scale
1,5:1
Blatt / Page
1 / 2