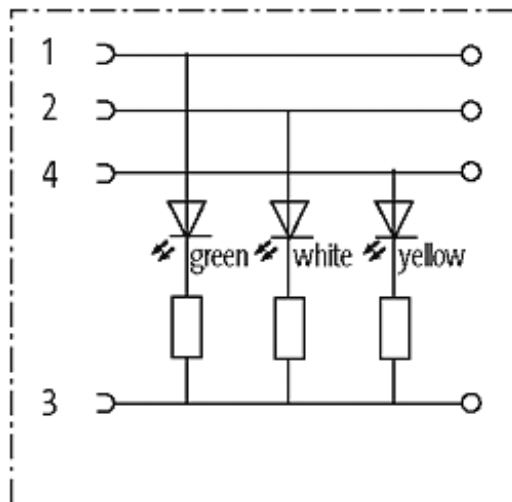
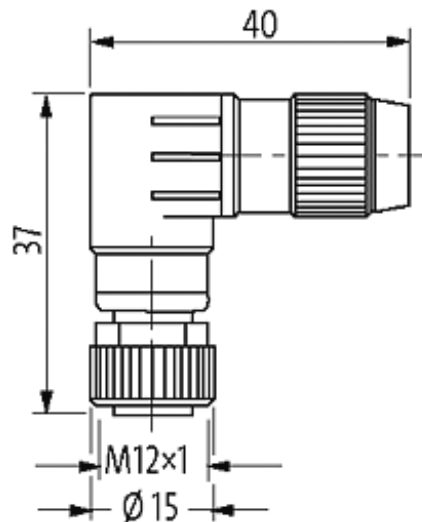
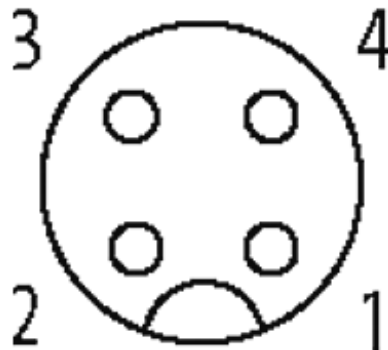


MOSA M12 FEMALE 90° 3LED FIELD-WIREABLE (IDC)4-pol. 0.25...0.5mm²

The resistance to aggressive media should be individually tested for your application.
Further details on request.

[Link to Product](#)**Illustration**

Female



Product may differ from Image

Form

Form 12691

Technical Data

Operating voltage	24 V DC $\pm 25\%$
Operating current per contact	max. 4 A
Connection cross section	0.25...0.5 mm ² (conductor diameter min. 0.1 mm)
Sealing range (cable Ø)	4...5.1 mm
Wire isolation	PVC, PP, TPE
Outer wire Ø	1.2...1.6 mm
Locking of ports	Screw thread M12 × 1 mm (recommended torque 0.6 Nm) self-securing
Protection	IP65 and IP67 when plugged and screwed down (EN 60529)

General data

Temperature range	-25...+85 °C
Dimensions H × W × D	37×40×15 mm

Commercial data

country of origin	DE
customs tariff number	85366990
EAN	4048879201674
eClass	27279221
minimum order quantity	1