

SB-36KS005 - Crimp contact



1623381

<https://www.phoenixcontact.com/gb/products/1623381>

Please be informed that the data shown in this PDF document is generated from our online catalog. Please find the complete data in the user documentation. Our general terms of use for downloads are valid.



Crimp contact, Socket, turned, Single contact, contact diameter: 3.6 mm, crimp range: 16 mm² ... 16 mm², Alternative product in accordance with RoHS II without Exemption 6c (Pb < 0.1 %) item no.: 1244892

Your advantages

- Crimping connection: vibration- and temperature-resistant assembly
- High tensile strength of the connection
- Low contact resistance
- Easy production monitoring

Commercial data

Item number	1623381
Packing unit	20 pc
Minimum order quantity	20 pc
Sales key	ABREAH
Product key	ABREAH
Catalog page	Page 129 (C-2-2019)
GTIN	4055626195254
Weight per piece (including packing)	6.285 g
Weight per piece (excluding packing)	6.19 g
Customs tariff number	85366990
Country of origin	DE

SB-36KS005 - Crimp contact



1623381

<https://www.phoenixcontact.com/gb/products/1623381>

Technical data

Product properties

Product type	Crimp contact
Contact material type	turned

Connection data

Connection method	Crimp connection
Contact connection type	Socket
Conductor cross section	16 mm ² ... 16 mm ²

Material specifications

Contact surface	Nickel-plated (Ni), with gold coating (Au)
Contact material	CuZn

Dimensions

Mechanical characteristics

Contact diameter	3.6 mm
------------------	--------

Mechanical properties

Mechanical data

Insertion/withdrawal cycles	100
-----------------------------	-----

SB-36KS005 - Crimp contact

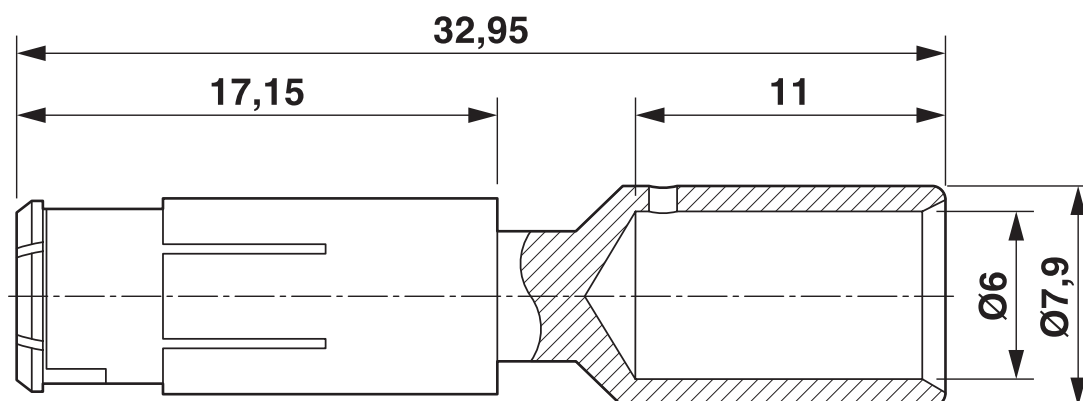
1623381

<https://www.phoenixcontact.com/gb/products/1623381>



Drawings

Dimensional drawing



Dimensional drawing

SB-36KS005 - Crimp contact



1623381

<https://www.phoenixcontact.com/gb/products/1623381>

Classifications

ECLASS

ECLASS-13.0

27440204

ETIM

ETIM 9.0

EC000796

UNSPSC

UNSPSC 21.0

39121500

SB-36KS005 - Crimp contact



1623381

<https://www.phoenixcontact.com/gb/products/1623381>

Environmental product compliance

EU RoHS

Fulfills EU RoHS substance requirements	Yes
Exemption	6(c)

China RoHS

Environment friendly use period (EFUP)	EFUP-50
	An article-related China RoHS declaration table can be found in the download area for the respective article under "Manufacturer declaration". For all articles with EFUP-E, no China RoHS declaration table issued and required.

EU REACH SVHC

REACH candidate substance (CAS No.)	Lead(CAS: 7439-92-1)
SCIP	a5c1022e-a73c-45d2-8eb7-f9f412ad6808

Phoenix Contact 2025 © - all rights reserved

<https://www.phoenixcontact.com>

PHOENIX CONTACT Ltd
Halesfield 13, Telford
Shropshire, TF7 4PG
01952 681700
info@phoenixcontact.co.uk