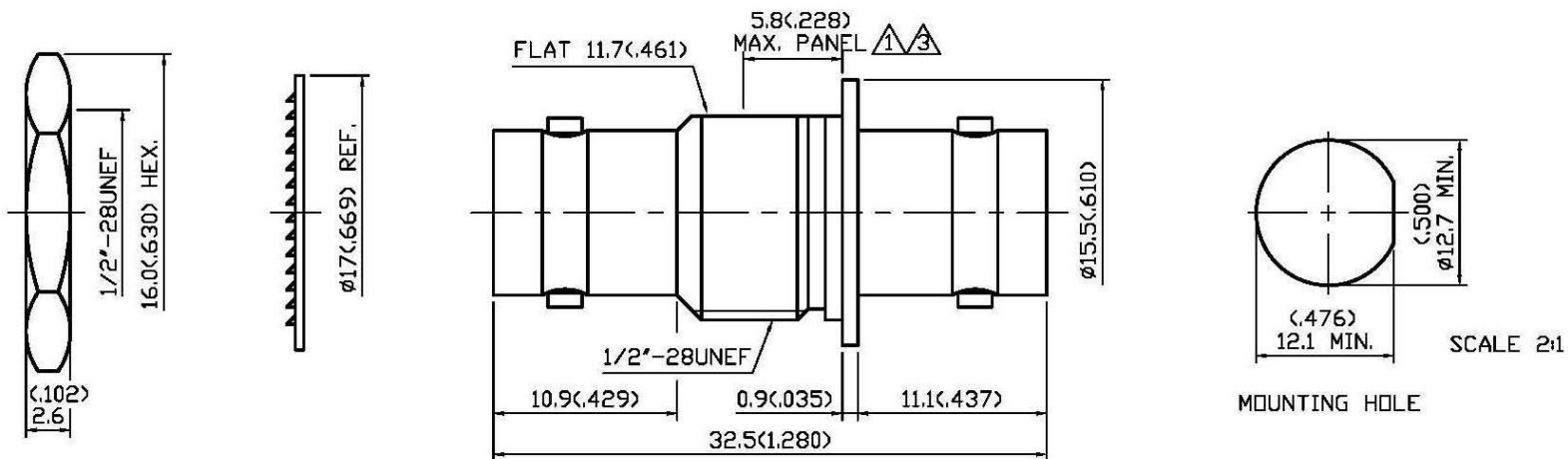


NO	DESCRIPTION	DATE
①	ADD 4.9 MAX. PANEL	08.01.12'
②	DEL. PROOF VOLTAGE WORKING VOLTAGE → VOLTAGE RATING	01.21.13'
③	4.9 MAX. PANEL → 5.8 MAX. PANEL	07.09.14'



### 1.0 ELECTRICAL

- 1.1 FREQUENCY RANGE: DC-4 GHz
- 1.2 NOMINAL IMPEDANCE: 50 OHMS
- 1.3 VOLTAGE RATING: 500 VOLTS MAX. ②
- 1.4 VSWR: 1.3 MAX.

### 2.0 MATERIALS

- 2.1 BODIES: BRASS PER JIS-C3604
- 2.2 CENTER CONTACT: BRASS PER JIS-C3604
- 2.3 INSULATION: TEFLON PER ASTM D1457 AND ASTM D1710

### 3.0 FINISHES AND OTHERS

- 3.1 SEE BELOW TABLE FOR DETAILS.

### 4.0 ENVIRONMENTAL

- 4.1 OPERATING TEMPERATURE RANGE: -65° C TO +165° C

6	INSULATION	TEFLON	2	NONE
5	CENTER CONTACT	BRASS	1	GOLD
4	BODY	BRASS	1	NICKEL 100 $\mu$ " MIN.
3	WASHER	BRASS	1	NICKEL
2	WASHER	STEEL	1	NICKEL
1	NUT	BRASS	1	NICKEL
NO	DESCRIPTION	MATERIAL	Q'TY	FINISH



APPROVED by \_\_\_\_\_ DATE: \_\_\_\_\_

DESCRIPTION		STRAIGHT BNC BULKHEAD JACK-JACK ADAPTER							
製圖	DRAWN	TOLERANCE	品名	13-29-1	T.G.N	日期	DATE	版次	REV.
	Yoko		.X	±0.2	\ROHS COMPLIANT (50 $\mu$ )		11.17.92'		B-3
檢圖	CHECK	APPROVAL	單位	mm(in)	DWG.NO.	SCALE	13-0208		
	Arc		.XX	±0.1					
認定	Angela	ANGLE	±5°	比例	3:1				