



Figure similar

22MM ROUND METAL ACTUATOR: RONIS LOCK WITH 2 KEYS  
 MOMENTARY CONTACT 3 SWITCH POSITIONS I-O-II LOCK NUMBER  
 SB 30, REMOVE O WITH HOLDER POSSIBLE SPECIAL LOCKS FOR  
 RONIS KEYSWITCHES: SB31, 455, 421 !!! Phased-out product !!! SIRIUS  
 ACT 3SU1 is suc Preferred successor ty >>3SU1050-4BM01-0AA0 +  
 3SU1550-0AA10-0AA0<<

<b>design of the product</b>	Single device round
<b>Enclosure</b>	
number of command points	1
<b>Actuator</b>	
design of the actuating element	Key-operated switch
principle of operation of the actuating element	momentary contact type
product extension optional light source	No
color of the actuating element	silver
material of the actuating element	metal
outer diameter of the actuating element	28.5 mm
type of unlocking device	without
number of switching positions	3
switch position for key distraction	O
actuating angle	
• clockwise	50°
• anticlockwise	50°
lock make	RONIS
<b>Front ring</b>	
product component front ring	Yes
design of the front ring	Standard
material of the front ring	metal
color of the front ring	silver
<b>Holder</b>	
material of the holder	Metal
<b>General technical data</b>	
product function	
• EMERGENCY OFF function	No
• EMERGENCY STOP function	No
protection class IP	IP67
vibration resistance acc. to IEC 60068-2-6	20 ... 200 Hz: 5g
operating frequency maximum	1 000 1/h
mechanical service life (switching cycles) typical	300 000
reference code acc. to IEC 81346-2	S
Substance Prohibitance (Date)	01.07.2006
<b>Connections/ Terminals</b>	
tightening torque of the screws in the bracket	1.4 ... 1.6 N·m
<b>Ambient conditions</b>	
ambient temperature	

- during operation
- during storage

-25 ... +70 °C

-40 ... +80 °C

environmental category during operation acc. to IEC 60721

3K6

#### Installation/ mounting/ dimensions

fastening method	front mounting
shape of the installation opening	round
mounting diameter	22 mm
mounting height	44 mm
installation width	28.5 mm
installation depth	29 mm

#### Certificates/ approvals

General Product Approval

Marine / Shipping



Marine / Shipping

other



[Confirmation](#)

[Miscellaneous](#)

#### Further information

Information- and Downloadcenter (Catalogs, Brochures,...)

<https://www.siemens.com/ic10>

Industry Mall (Online ordering system)

<https://mall.industry.siemens.com/mall/en/en/Catalog/product?mlfb=3SB3500-4ED01>

Cax online generator

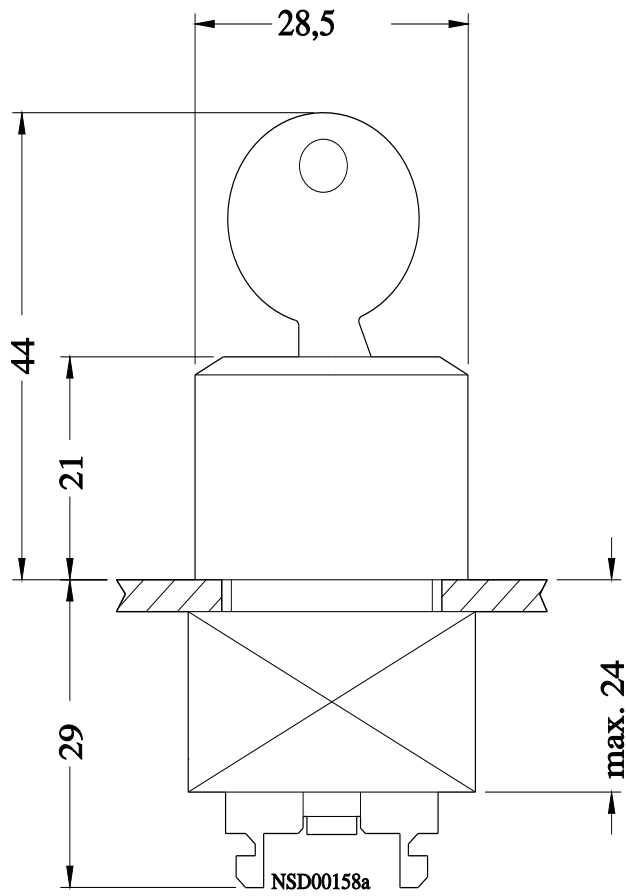
<http://support.automation.siemens.com/WW/CAXorder/default.aspx?lang=en&mlfb=3SB3500-4ED01>

Service&Support (Manuals, Certificates, Characteristics, FAQs,...)

<https://support.industry.siemens.com/cs/ww/en/ps/3SB3500-4ED01>

Image database (product images, 2D dimension drawings, 3D models, device circuit diagrams, EPLAN macros, ...)

[http://www.automation.siemens.com/bilddb/cax\\_de.aspx?mlfb=3SB3500-4ED01&lang=en](http://www.automation.siemens.com/bilddb/cax_de.aspx?mlfb=3SB3500-4ED01&lang=en)



last modified:

12/21/2020 