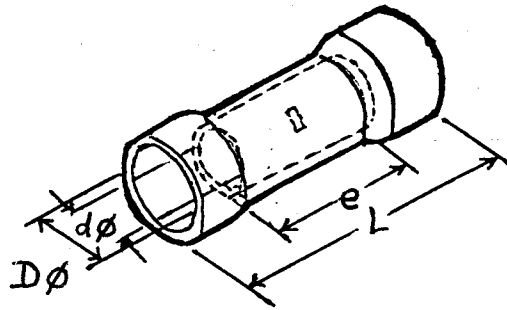




RS NO.: 534-288



Wire Range		Color	Dimension (mm)				Stud Size	
AWG	mm <sup>2</sup>		dφ	L	Dφ	e	AWG	mm
22-16	0.5-1.5	RED	1.6	24.5	4.0	15.7		

NOTE: TOLERANCE OF DIMENSION  $\pm 0.2\text{mm}$   
FINISH: 3-5 TIN PLATING  
MATERIAL: COPPER

PACKING: A) PER PACK : 100 pcs in a polybag with abel.  
PER CARTON: 100 packs.  
B) PER PACK : 1,000 pcs in a polybag with abel.  
PER CARTON: 10 packs.

