

EM LAN top2

Article number: 6490900

Description

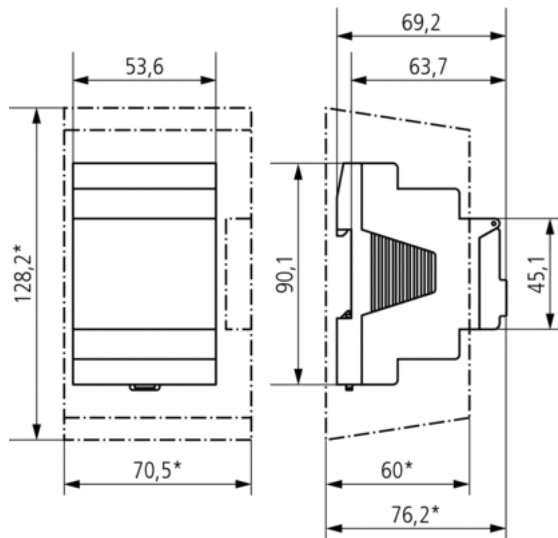


- Ethernet communication module for remote access via LAN-DSL network to time switches TR 641 top2 RC, TR 642 top2 RC and TR 644 top2 RC
- Remote programming using OBELISK top2 PC software
- Direct remote access to time switch (e.g. reading out switching status, performing manual switching, checking time)
- Width: 3 modules

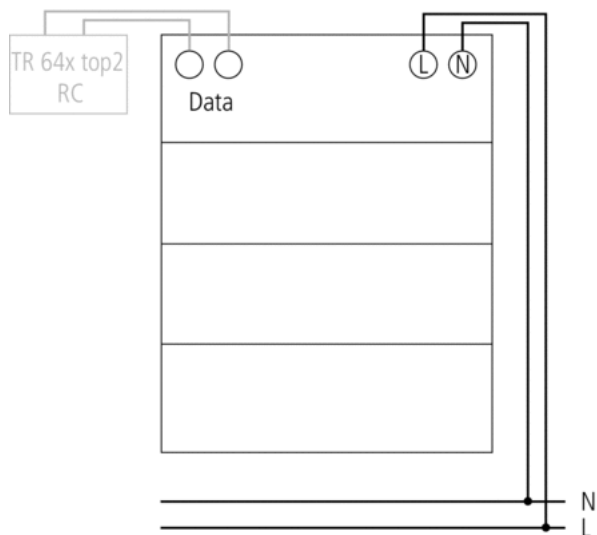
Technical data

Operating voltage	230 V AC
Frequency	50 – 60 Hz
Width	3 modules
Installation type	DIN rail
Program	Yearly program
Stand-by consumption	3,2 W
Memory card supplied	–
Type of connection	DuoFix spring terminals
Keyboards	4 buttons for manual switching
Housing and insulation material	High-temperature resistant, self-extinguishing thermoplastic
Type of protection	IP 20
Protection class	II as per EN 60 730-1
Ambient temperature	-30 °C ... +50 °C

Scale drawings



Connection example



Accessories

Wall mounting kit 52,5 mm

- Article number: 9070050
Details ▶ www.theben.de



Front panel kit

- Article number: 9070001
Details ▶ www.theben.de

