



**Contact characteristics**

Number of poles	Nr.	3
Rated insulation voltage $U_i$ IEC/EN	V	1000
Rated impulse withstand voltage $U_{imp}$	kV	8
Operational frequency	min	Hz 25
	max	Hz 400
IEC Conventional free air thermal current $I_{th} \leq 40^\circ C$	A	600
Operational current $I_e$	AC-1 ( $\leq 40^\circ C$ )	A 600
	AC-1 ( $\leq 55^\circ C$ )	A 500
	AC-1 ( $\leq 70^\circ C$ )	A 435
	AC-3 ( $\leq 440V \leq 55^\circ C$ )	A 400
	AC-4 (400V)	A 190
Rated operational power AC-3 ( $T \leq 55^\circ C$ )	230V	kW 110
	400V	kW 200
	415V	kW 200
	440V	kW 200
	500V	kW 250
	690V	kW 315
	1000V	kW 200
Rated operational current AC-3 ( $T \leq 55^\circ C$ )	230V	A 400
	400V	A 400
	415V	A 400
	440V	A 400
	500V	A 350
	690V	A 350
	1000V	A 155
Rated operational power AC-1 ( $T \leq 40^\circ C$ )	230V	kW 227
	400V	kW 395
	500V	kW 434
	690V	kW 681
IEC max current $I_e$ in DC1 with $L/R \leq 1ms$ with 1 poles in series	75V	A 400
	110V	A 250
IEC max current $I_e$ in DC1 with $L/R \leq 1ms$ with 2 poles in series	75V	A 400
	110V	A 400
	220V	A 350
IEC max current $I_e$ in DC1 with $L/R \leq 1ms$ with 3 poles in series	75V	A 400
	110V	A 400

	220V	A	400
	330V	A	350
IEC max current Ie in DC1 with L/R ≤ 1ms with 4 poles in series			
	75V	A	400
	110V	A	400
	220V	A	400
IEC max current Ie in DC3-DC5 with L/R ≤ 15ms with 1 poles in series			
	75V	A	350
	110V	A	200
IEC max current Ie in DC3-DC5 with L/R ≤ 15ms with 2 poles in series			
	75V	A	350
	110V	A	350
	220V	A	280
IEC max current Ie in DC3-DC5 with L/R ≤ 15ms with 3 poles in series			
	75V	A	350
	110V	A	350
	220V	A	350
	330V	A	280
IEC max current Ie in DC3-DC5 with L/R ≤ 15ms with 4 poles in series			
	75V	A	350
	110V	A	350
	220V	A	350
	330V	A	350
	460V	A	280
Short-time allowable current for 10s (IEC/EN60947-1)		A	3200
Protection fuse			
	gG (IEC)	A	800
	aM (IEC)	A	500
Making capacity (RMS value)		A	4000
Breaking capacity at voltage			
	440V	A	3200
	500V	A	2752
	690V	A	2504
Resistance per pole (average value)		mΩ	0.12
Power dissipation per pole (average value)			
	I <sub>th</sub>	W	43.2
	AC-3	W	19
Tightening torque for terminals			
	min	Nm	35
	max	Nm	35
	min	I <sub>bin</sub>	310
	max	I <sub>bin</sub>	310
Tightening torque for coil terminal			
	min	Nm	0.8
	max	Nm	1
Power terminal protection according to IEC/EN 60529			IP00
<b>Mechanical features</b>			
Operating position			
	normal		Vertical plan
	allowable		±30°
Fixing			Screw
<b>Operations</b>			
Mechanical life			cycles 5000000

Electrical life			cycles	600000
<b>Safety related data</b>				
Performance level B10d according to EN/ISO 13489-1				
		rated load mechanical load	cycles cycles	600000 5000000
EMC compatibility			yes	
<b>AC coil operating</b>				
Rated AC voltage at 50/60Hz, 60Hz				
		min	V	100
		max	V	250
AC operating voltage				
	of 50/60Hz coil powered at 50Hz			
	pick-up	min	%Us	80 Us min
		max	%Us	110 Us max
	drop-out	max	%Us	≤70 Us min
	of 50/60Hz coil powered at 60Hz			
	pick-up	min	%Us	80 Us min
		max	%Us	110 Us max
	drop-out	max	%Us	≤70 Us min
AC average coil consumption at 20°C				
	of 50/60Hz coil powered at 50Hz			
		in-rush	VA	160...320
		holding	VA	3.5...8.0
	of 50/60Hz coil powered at 60Hz			
		in-rush	VA	160...320
		holding	VA	3.5...8.0
	of 60Hz coil powered at 60Hz			
		in-rush	VA	160...320
		holding	VA	3.5...8.0
Dissipation at holding ≤20°C 50Hz			W	3.5...8.0
<b>DC coil operating</b>				
DC rated control voltage				
		min	V	100
		max	V	250
max			V	250
DC operating voltage				
	pick-up	min	%Us	85 Us min
		max	%Us	110 Us max
	drop-out	max	%Us	≤70 Us min
Average coil consumption ≤20°C				
		in-rush	W	160...230
		holding	W	3.5...8.0
<b>Max cycles frequency</b>				
Mechanical operation			cycles/h	1000
<b>Operating times</b>				
Average time for Us control				
	in AC			

Closing NO	min	ms	80
	max	ms	120
Opening NO	min	ms	30
	max	ms	75

**UL technical data**

Rated operational voltage AC (UL)	V	600
-----------------------------------	---	-----

Yielded mechanical performance

for three-phase AC motor

200/208V	HP	125
220/240V	HP	150
460/480V	HP	350
575/600V	HP	400

**General USE**

Contactor

AC current	A	600
------------	---	-----

Short-circuit protection fuse, 600V

High fault

Short circuit current	kA	100
Fuse rating	A	600
Fuse class		J

Standard fault

Short circuit current	kA	18
Fuse rating	A	600
Fuse class		RK5

**Ambient conditions**

Temperature

Operating temperature

min	°C	-40
max	°C	70

Storage temperature

min	°C	-50
max	°C	80

Max altitude

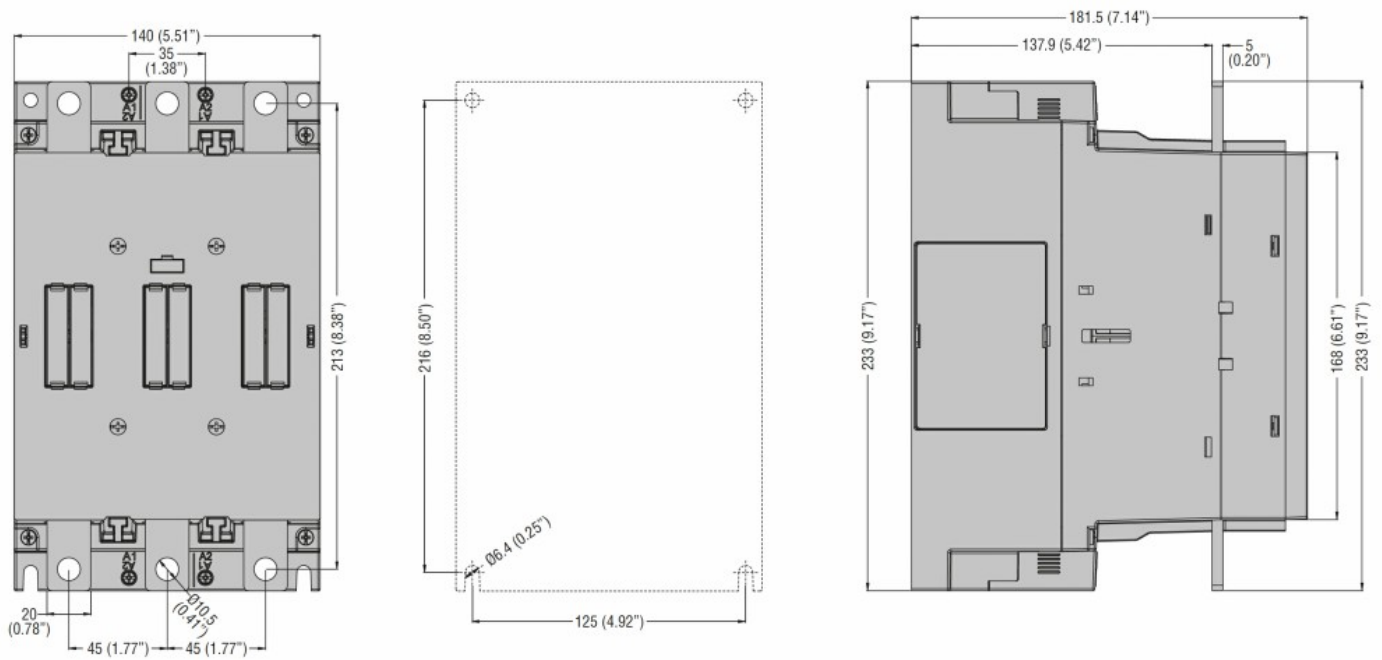
m	3000
---	------

**Resistance & Protection**

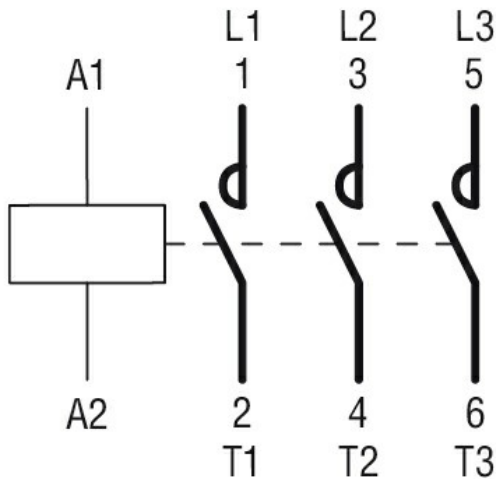
Pollution degree

3

**Dimensions**



### Wiring diagrams



### Certifications and compliance

#### Compliance

CSA C22.2 n° 60947-1

CSA C22.2 n° 60947-4-1

IEC/EN 60335-2-89

IEC/EN/BS 60947-1

IEC/EN/BS 60947-4-1

UL 60947-1

UL 60947-4-1

#### Certificates

CSA C22.2 n. 60335-2-40:22 LZGH A2L

CSA C22.2 No. 60335-2-89:21 LZGH A2L

cULus

UL 60335-2-40 LZGH A2L

UL 60335-2-89 LZGH A2L

### ETIM classification

ETIM 8.0

EC000066 -  
Power contactor,  
AC switching