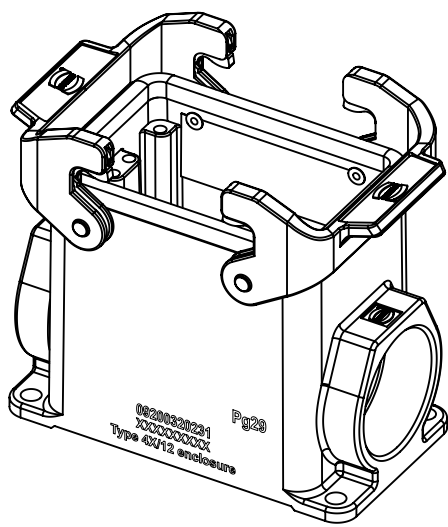
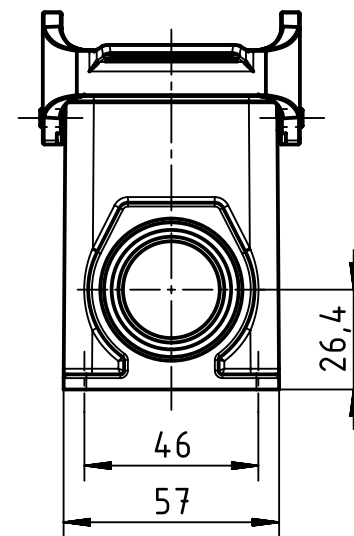
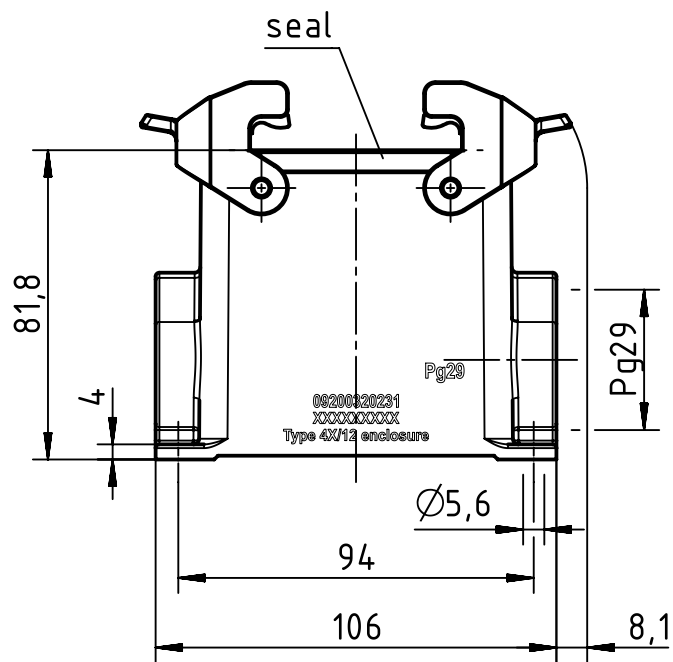


A

B

C

D



	All Dimensions in mm Original Size DIN A4		Scale 1:2	Free size tol.		Ref. Sub. TB 09 20 032 0231 v. 26.01.11		
		All rights reserved	Created by FINKEV	Inspected by BERGHORN	Standardisation RUETERA	Date 2018-08-16	State Final Release	
Department EL PD		Title Han 32A-asg1-QB-29				Doc-Key / ECM-Nr. 100206243/UGD/004/A 500000136132		
HARTING Electric GmbH & Co. KG D-32339 Espelkamp			Type TB	Number 09 20 032 0231			Rev. A	Page 1/1