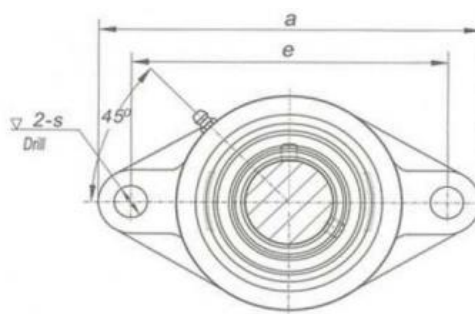
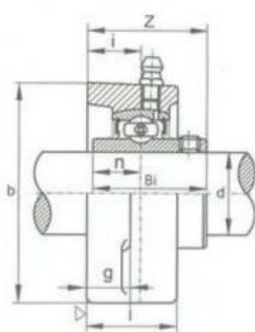


# Datasheet

## 2 Bolt Flange Bearing unit - Imperial



RS Article no.	Shaft Dia.	Dimension (in.)									
	d (in.)	a	e	i	g	l	s	b	z	Bi	n
7508876	1	5 1/8	3 57/64	5/8	9/16	1 1/16	5/8	2 11/16	1 13/32	1.3986	0.563
7508882	1 1/4	6 11/32	5 1/8	3/4	5/8	1 11/32	5/8	3 17/32	1 3/4	1.6890	0.689
7508889	1 1/2	6 7/8	5 43/64	53/64	5/8	1 13/32	5/8	3 15/16	2 1/64	1.9370	0.748

RS Article no.	Bolt used	Housing No.	Weight (kg)
	(in.)		
7508876	1/2	FL 205	0.63
7508882	1/2	FL 207	1.2
7508889	1/2	FL 208	1.6