

Embedded Solutions



PCIe M.2 SSDs MTE510T

Transcend's MTE510T M.2 SSD is a DRAM-less SSD solution utilizing the PCI Express (PCIe) Gen 3 x4 interface, and is fully compatible with NVM Express (NVMe) 1.2 specifications. The next-generation PCIe NVMe protocol allows the SSD to achieve never-before-seen transfer speeds. The cost-effective MTE510T aims at high-end applications, such as digital audio/video production, gaming, and enterprise use at an attractive price. Powered by 64-layer 3D NAND TLC flash memory, the MTE510T offers not only fast transfer speeds but unmatched reliability.

Features

- PCIe Gen 3 x4 interface
- Compliant with PCI Express specification Rev. 3.1
- Compliant with NVM Express specification Rev. 1.3
- DRAM-less design
- SLC caching technology
- LDPC ECC algorithm
- Dynamic thermal throttling
- RoHS compliant
- Supports Transcend SSD Scope

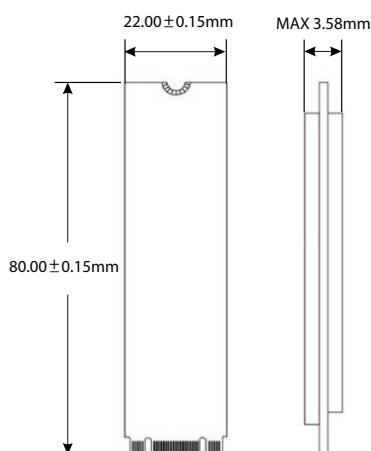
Ordering Information

128GB	TS128GMTE510T
256GB	TS256GMTE510T
512GB	TS512GMTE510T
1TB	TS1TMTE510T

Specifications

Appearance	Dimensions (Max.)	80 mm x 22 mm x 3.58 mm (3.15" x 0.87" x 0.14")
	Weight (Max.)	8 g (0.28 oz)
	Form Factor	M.2
	M.2 Type	2280-D2-M
Interface	Bus Interface	NVMe PCIe Gen3 x4
Storage	Flash Type	3D TLC NAND flash
	Capacity	128 GB/256 GB/512 GB/1 TB
Operating Environment	Operating Voltage	3.3V±5%
	Operating Temperature	0°C (32°F) ~ 70°C (158°F)
	Storage Temperature	-40°C (-40°F) ~ 85°C (185°F)
	Humidity	5% ~ 95%
	Shock	1500 G, 0.5 ms, 3 axis
	Vibration (Operating)	3 G (peak-to-peak), 5 Hz ~ 800 Hz (frequency)
	Vibration (Non-operating)	5 G (peak-to-peak), 5 Hz ~ 800 Hz (frequency)
Power	Power Consumption (Operation)	4.36 watt(s)
	Power Consumption (Sleep)	0.56 watt(s)
Performance	Sequential Read/Write (ATTO, max.)	Read: 1800 MB/s; write: 1500 MB/s
	Sequential Read/Write (CrystalDiskMark, max.)	Read: 1800 MB/s; write: 1500 MB/s
	4K Random Read/Write (IOMeter, max.)	Read: 180,000 IOPS; write: 150,000 IOPS
	Mean Time Between Failures (MTBF)	1,500,000 hour(s)
	Terabytes Written (Max.)	538 TB
	Drive Writes Per Day (DWPD)	0.33 (3 yrs)
Warranty	Certificate	CE/FCC/BSMI
	Warranty	Three-year Limited Warranty
Note	<ul style="list-style-type: none"> Speed may vary due to host hardware, software, usage, and storage capacity. The workload used to rate DWPD may be different from your actual workload, which may vary due to host hardware, software, usage, and storage capacity. 	

Mechanical Dimensions



Product specifications are subject to change without notice. Pictures shown may differ from actual products. When used as a storage capacity unit, one terabyte (TB) = one trillion bytes. Total accessible capacity varies depending on operating environment.

Due to the complexity and variety of industrial applications, Transcend cannot guarantee 100% compatibility with all platforms and under all scenarios. For special applications and environments, it is strongly suggested that you contact Transcend beforehand for clarification.



Please feel free to contact us with any special requests you might have.

Tel: +886-2-2792-8000 www.transcend-info.com

