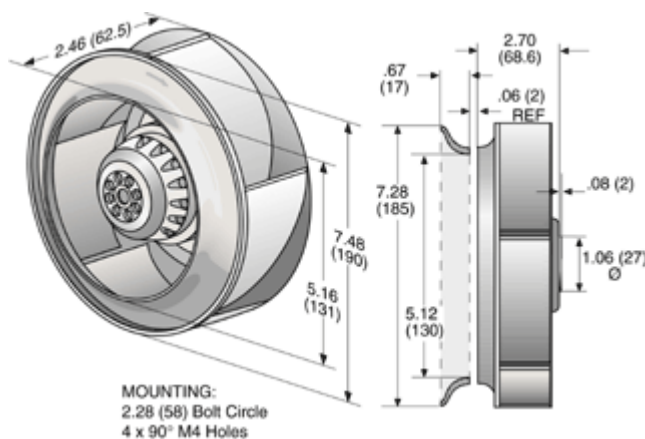
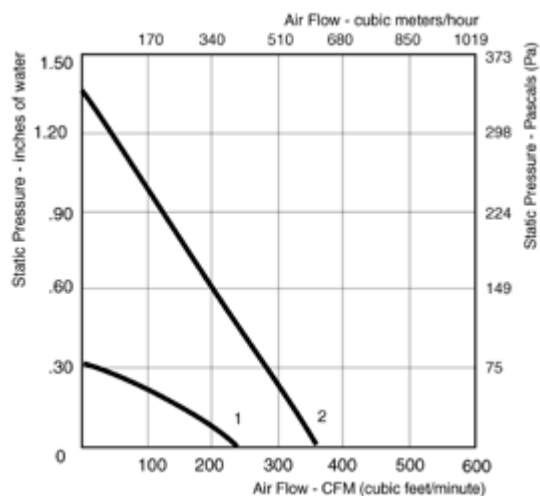


## 190 mm (7.48") AC Motorized Impellers

PART NUMBER	CFM @ 0"	Curve Number	AC Volts	AC Hertz	Watts	dBa	Temp. Max °C	Wgt. (lbs.)	Wiring Dgm.	Capacitor (µf)	Impeller Material
<b>R4S190-AA16-18</b>	230	1	115	60	47	50	50	3	B	-	Plastic
<b>R4S190-AA02-15</b>	230	1	230	60	47	50	50	3	B	-	Plastic
<b>R2E190-AE50-29</b>	365	2	115	50/60	85	62	55	3	A	8	Plastic
<b>R2E190-AE26-29</b>	365	2	230	60	90	62	40	3	A	2	Plastic



## 220 mm (8.66") AC Motorized Impellers

PART NUMBER	CFM @ 0"	Curve Number	AC Volts	Hertz	Watts	dBA	Temp. Max °C	Wgt. (lbs.)	Wiring Dgm.	Capacitor (µf)	Impeller Material
<b>R2E220-</b>	530	3	115	50/60	100	70	40	3.5	A	10	Plastic
<b>R2E220-</b>	530	3	230	60	100	70	40	3.5	A	2	Plastic

