

Construction

- Building-block system
- MKP technology (dry, self-healing)
Dielectric: polypropylene, metallized
- Metal case with synthetic resin terminals
- For central screw fixing

Features

- Compact dimensions
- Variable current rating and capacitance through building-block system
- High attenuation
- Simple fitting
- High contact reliability through central screw fixing



Applications

Broadband interference suppression for AC/DC supply lines, e.g. in

- shielded rooms
- telephone exchanges, base stations
- electrical machines and systems
- power supplies

Terminals

- Threaded stud
- Axial leads
- Soldering tag
- Tab connector

Marking

Manufacturer, ordering code, rated capacitance, rated voltage, rated current, test voltage, climatic category, circuit diagram, date of manufacture (MM.YY), approvals

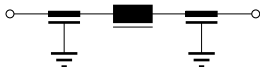
Standards

Feedthrough filters comply with EN 133200

Safety information

Due to the high capacitance ratings protective measures (e.g. protective earthing) in accordance with equipment/system regulations are required.

Circuit diagram



SSB1274-B

Feedthrough filters Ø 16 mm
Characteristics and ordering codes

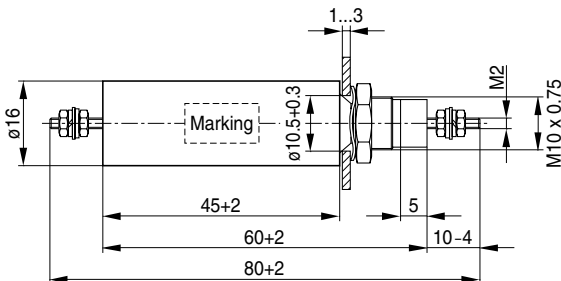
I_R A	C_R μF	V_R VAC	VDC	V_{test} VDC	Terminal	Figure	Ordering code
16	2 x 0.0025	250	600	2700	M2	1	B85321A2502X160
	2 x 0.0025	250	600	2700	Soldering tag	2	B85321A2502Y160
	2 x 0.0025	250	600	2700	leads, Ø 2 mm	3	B85321A2502Z160
	2 x 0.0025	250	600	2700	tab connector 6.3 mm	4	B85321A2502W160

Insertion loss (dB); typical values at 50 Ω

Capacitance C_R	10 kHz	100 kHz	1 MHz	10 MHz	100 MHz	1 GHz
2 x 0.0025	–	–	–	25	> 80	> 80

General technical data

Capacitance tolerance: $\pm 20\%$
 IEC climatic category: 40/085/56 (–40 °C/+85 °C, 56 days damp heat test)
 Screw cap fixing: Standard M10 x 0.75

Dimensional drawings
Figure 1, B85321A2502X160


SSB2018-T

Figure 2, B85321A2502Y160

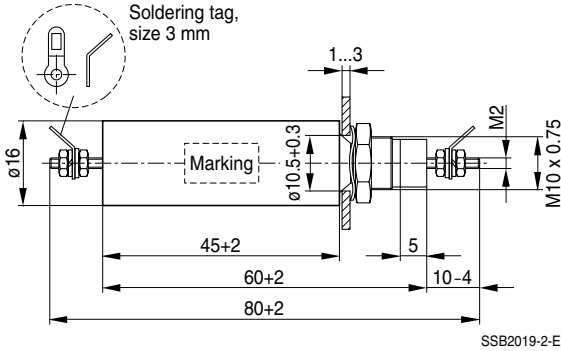


Figure 3, B85321A2502Z160

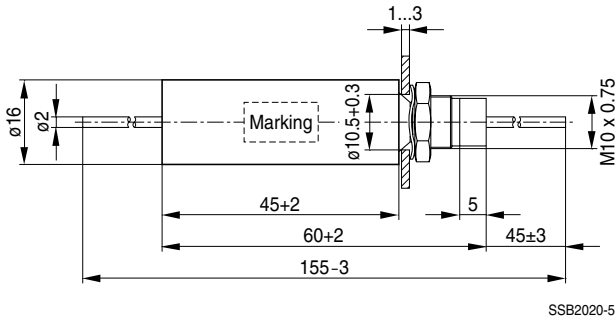
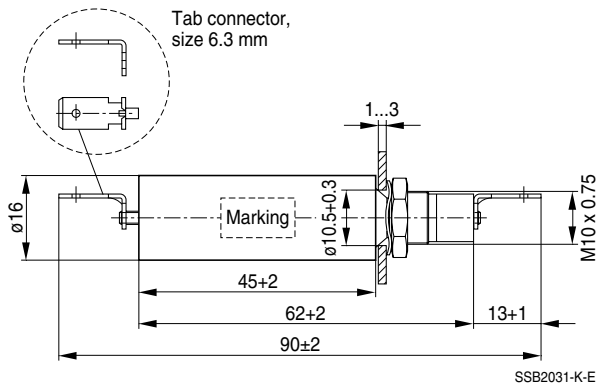


Figure 4, B85321A2502W160



Symbols and terms

Symbol	English	German
I_R	Rated current	Bemessungsstrom
C_R	Rated capacitance	Bemessungskapazität
V_R	Rated voltage	Bemessungsspannung
V_{test}	Test voltage	Prüfspannung

Published by EPCOS AG
Corporate Communications, P.O. Box 80 17 09, 81617 Munich, GERMANY
☎ ++49 89 636 09, FAX (0 89) 636-2 26 89

© EPCOS AG 2003. Reproduction, publication and dissemination of this brochure and the information contained therein without EPCOS' prior express consent is prohibited.

Purchase orders are subject to the General Conditions for the Supply of Products and Services of the Electrical and Electronics Industry recommended by the ZVEI (German Electrical and Electronic Manufacturers' Association), unless otherwise agreed.

This brochure replaces the previous edition.

For questions on technology, prices and delivery please contact the Sales Offices of EPCOS AG or the international Representatives.

Due to technical requirements components may contain dangerous substances. For information on the type in question please also contact one of our Sales Offices.