



Figure similar

Selector switch, 16 mm, round, plastic, white, 2 switch positions O-I, latching, actuating angle 90 degree

<b>product brand name</b>	SIRIUS
<b>product designation</b>	Selector switches
<b>design of the product</b>	Single device round
<b>product type designation</b>	3SB2
<b>Enclosure</b>	
<b>number of command points</b>	1
<b>Actuator</b>	
<b>design of the actuating element</b>	selector switch
<b>principle of operation of the actuating element</b>	latching
<b>product extension optional light source</b>	No
<b>color of the actuating element</b>	white
<b>material of the actuating element</b>	plastic
<b>outer diameter of the actuating element</b>	19 mm
<b>type of unlocking device</b>	rotate-to-unlatch mechanism
<b>number of switching positions</b>	2
<b>actuating angle</b>	
• clockwise	90°
<b>Front ring</b>	
<b>product component front ring</b>	Yes
<b>design of the front ring</b>	Standard
<b>material of the front ring</b>	plastic
<b>color of the front ring</b>	black
<b>Holder</b>	
<b>material of the holder</b>	Plastic
<b>General technical data</b>	
<b>product function</b>	
• EMERGENCY OFF function	No
• EMERGENCY STOP function	No
<b>protection class IP</b>	IP65
<b>vibration resistance according to IEC 60068-2-6</b>	20 ... 200 Hz: 5g
<b>operating frequency maximum</b>	1 000 1/h
<b>mechanical service life (operating cycles) typical</b>	300 000
<b>reference code according to IEC 81346-2</b>	S
<b>Substance Prohibitance (Date)</b>	07/01/2006
<b>Net Weight</b>	0.008 kg
<b>Connections/ Terminals</b>	
<b>tightening torque of the screws in the bracket maximum</b>	0.4 N·m
<b>Ambient conditions</b>	

<b>ambient temperature</b>	
<ul style="list-style-type: none"> <li>during operation</li> <li>during storage</li> </ul>	-25 ... +70 °C -40 ... +80 °C
environmental category during operation according to IEC 60721	3K6

Installation/ mounting/ dimensions	
fastening method	front plate mounting
shape of the installation opening	round
mounting diameter	16 mm
mounting height	17 mm
installation width	19 mm
installation depth	50 mm

#### Approvals Certificates

Environment	General Product Approval	Test Certificates
-------------	--------------------------	-------------------

[Environmental Confirmations](#)



[Special Test Certificate](#)

Test Certificates	other
-------------------	-------

[Type Test Certificates/Test Report](#)

[Miscellaneous](#)



[Confirmation](#)

#### Further information

**Information on the packaging**

<https://support.industry.siemens.com/cs/ww/en/view/109813875>

**Information for data generation and storage**

<https://support.industry.siemens.com/cs/ww/en/view/109995012>

**Information- and Downloadcenter (Catalogs, Brochures,...)**

<https://www.siemens.com/ic10>

**Industry Mall (Online ordering system)**

<https://mall.industry.siemens.com/mall/en/en/Catalog/product?mlfb=3SB2000-2HG01>

**Cax online generator**

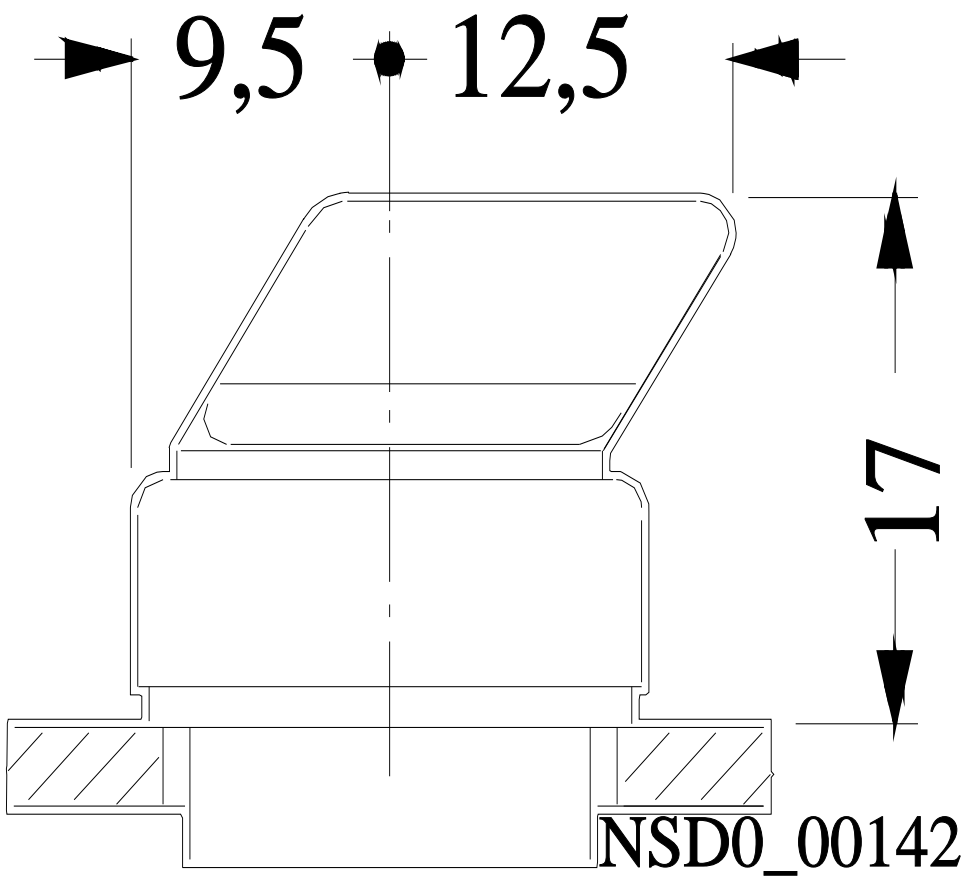
<https://support.automation.siemens.com/WW/CAXorder/default.aspx?lang=en&mlfb=3SB2000-2HG01>

**Service&Support (Manuals, Certificates, Characteristics, FAQs,...)**

<https://support.industry.siemens.com/cs/ww/en/ps/3SB2000-2HG01>

**Image database (product images, 2D dimension drawings, 3D models, device circuit diagrams, EPLAN macros, ...)**

[https://www.automation.siemens.com/bilddb/cax\\_de.aspx?mlfb=3SB2000-2HG01&lang=en](https://www.automation.siemens.com/bilddb/cax_de.aspx?mlfb=3SB2000-2HG01&lang=en)



last modified:

4/2/2025 