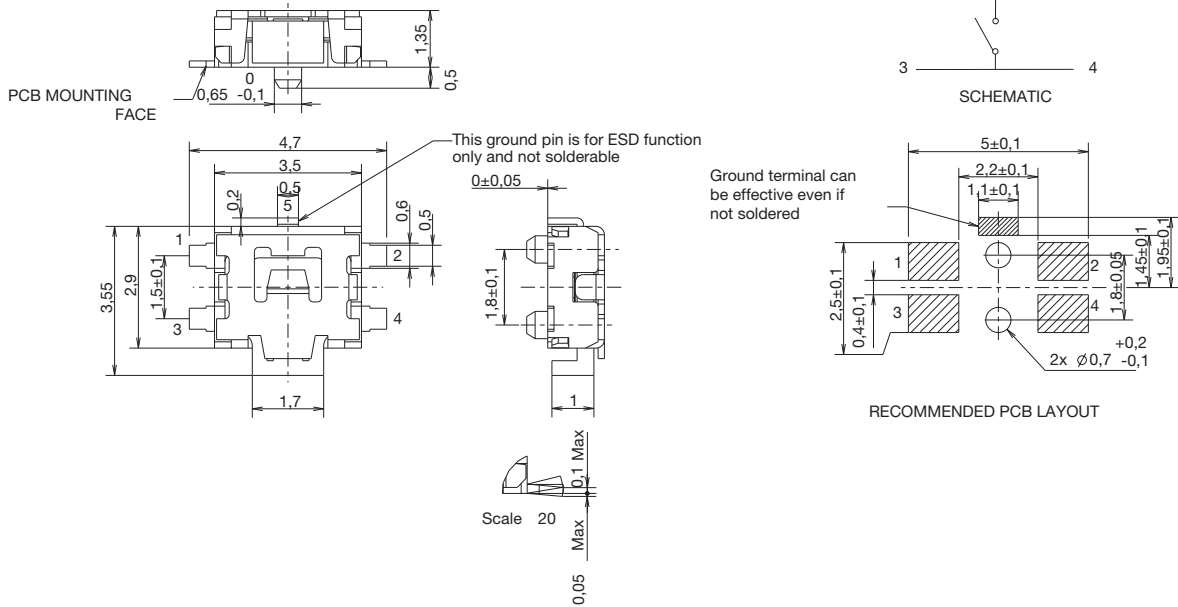
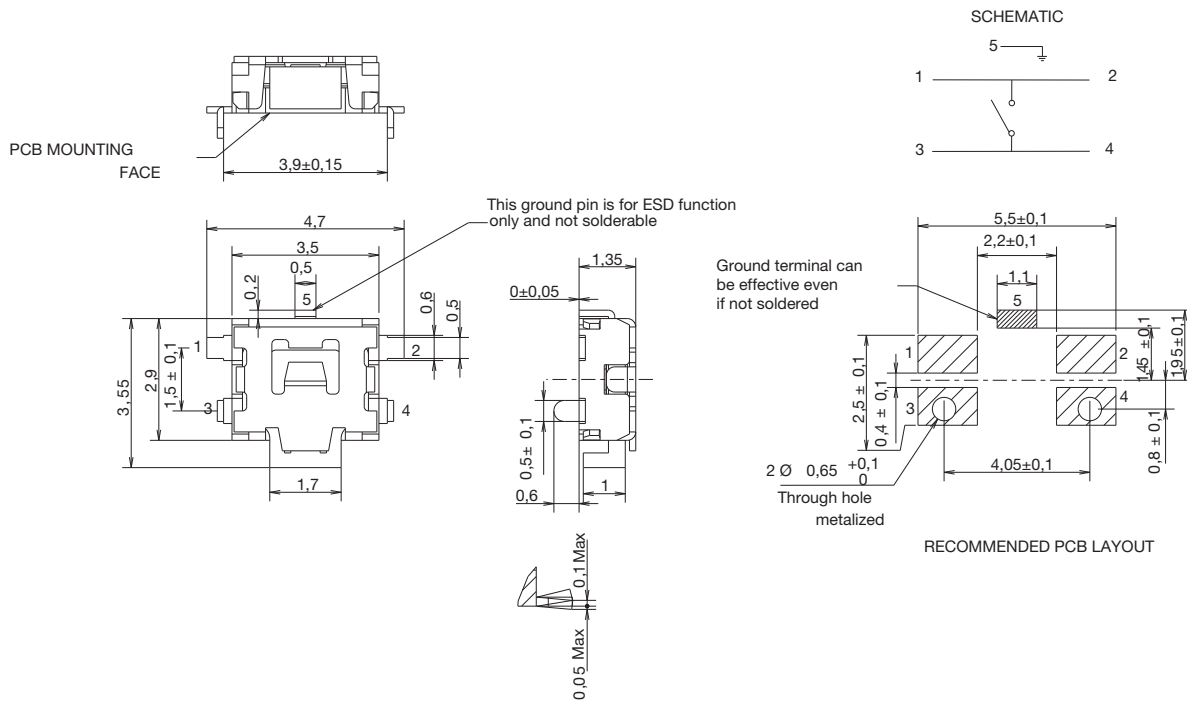


PTS 840 Series Microminiature SMT Side Actuated

Standard G SMT Leads with ESD and Peg options



P SMT Leads with ESD option

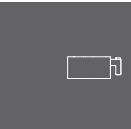


B

Tactile Switches

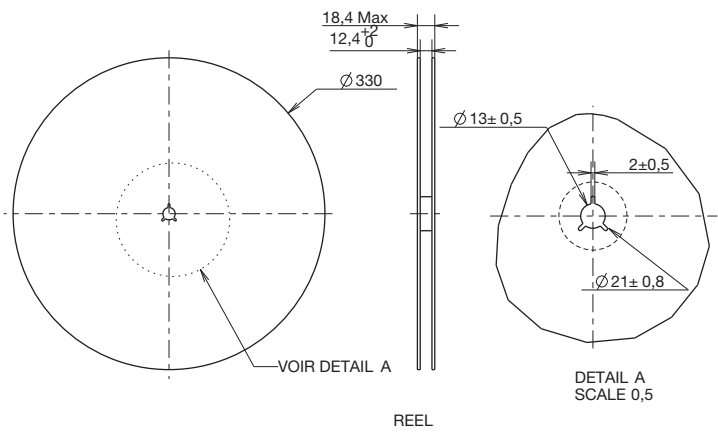
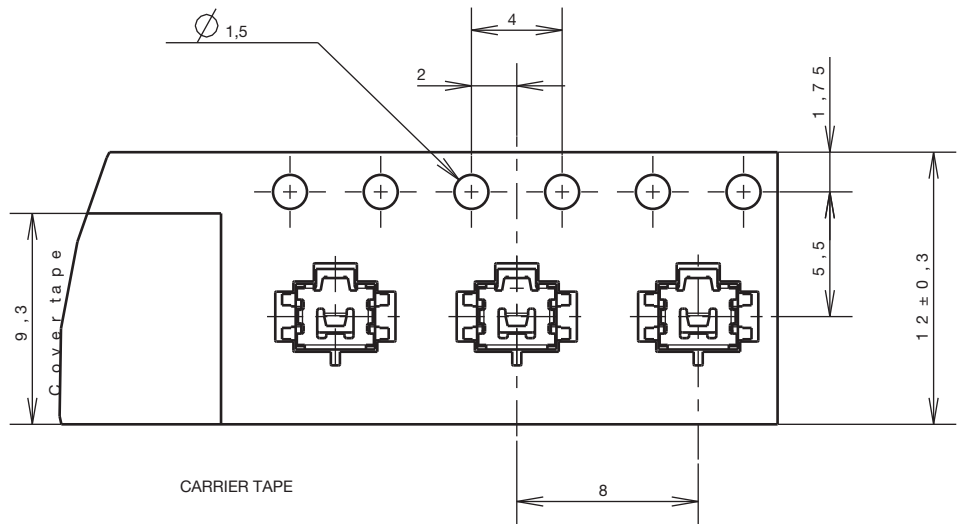
PTS 840 Series Microminiature SMT Side Actuated

TAPE & REEL



B

Tactile Switches



Dimensions are shown: mm
Specifications and dimensions subject to change