

444335-1 ✓ ACTIVE

FASTON | FASTON 250

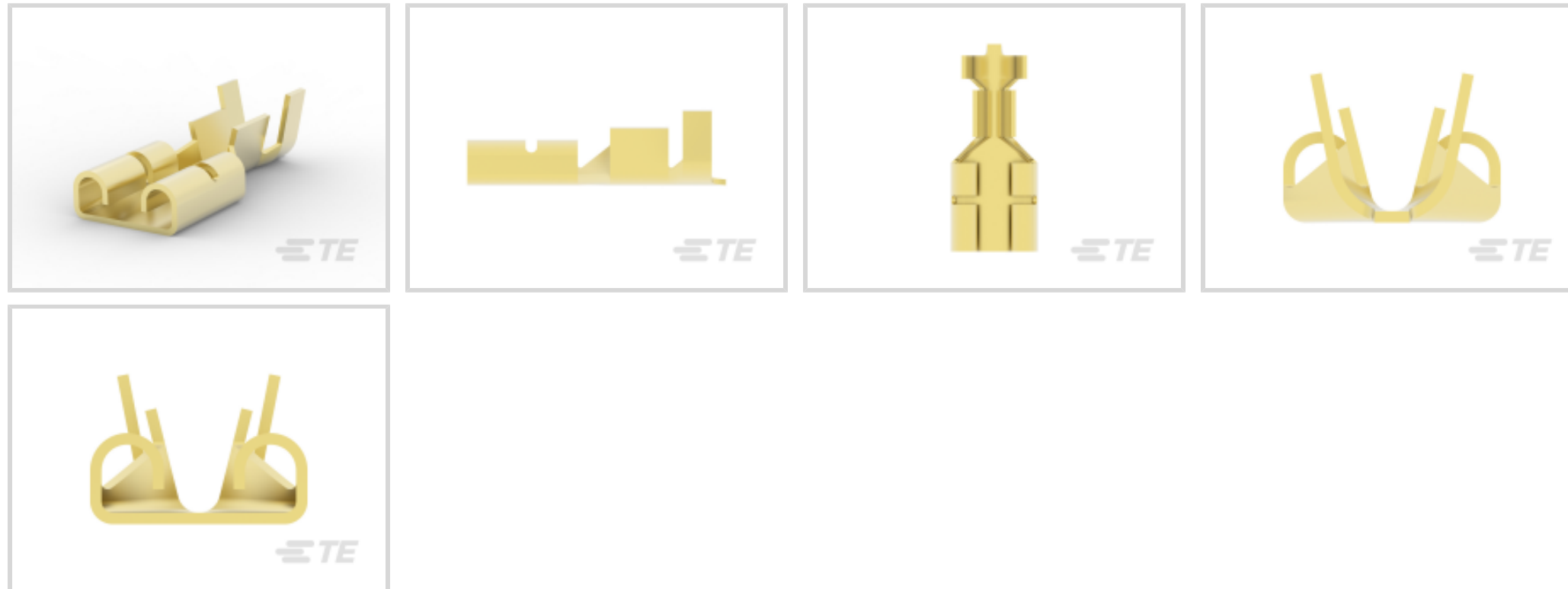
TE Internal #: 444335-1

Quick Disconnect Receptacle, Uninsulated, 16 – 14 AWG, 1 – 2.5 mm² Wire, 6.35 mm [.25 in] Tab Width, F-Crimp, Straight, Brass, FASTON 250

[View on TE.com >](#)



Terminals & Splices > Quick Disconnects



Quick Disconnect Terminal Type: **Receptacle**

Wire Size: 1 – 2.5 mm²

Mating Tab Width: 6.35 mm [.25 in]

Mating Tab Thickness: .81 mm [.025 in]

Features

Product Type Features

Insertion Force	Low
-----------------	-----

Configuration Features

Compatible With Wire & Cable Type	Discrete Wire
-----------------------------------	---------------

Electrical Characteristics

Voltage Rating	240 V
----------------	-------

Contact Features

Quick Disconnect Terminal Type	Receptacle
--------------------------------	------------

Mating Tab Width	6.35 mm [.25 in]
------------------	------------------

Mating Tab Thickness	.81 mm [.025 in]
----------------------	------------------

Terminal Orientation	Straight
----------------------	----------

Contact Base Material	Brass
-----------------------	-------

Terminal Plating Material	Unplated
---------------------------	----------

Crimp Type	F-Crimp
------------	---------

Barrel Type	Open
-------------	------



Termination Features

Product Terminates To	Wire & Cable
-----------------------	--------------

Mechanical Attachment

Wire Insulation Support	With
Mating Retention Type	Dimple
Extraction Force	2 – 5.1 kgf

Dimensions

Product Length	17.2 mm[.677 in]
Compatible Insulation Diameter Range	3 – 4.3 mm[.118 – .169 in]
Terminal Material Thickness	.41 mm[.016 in]
Wire Size	1 – 2.5 mm ²

Usage Conditions

Insulation Option	Uninsulated
Operating Temperature Range	-40 – 110 °C[-40 – 230 °F]

Industry Standards

Compatible With Agency/Standards Products	UL
---	----

Packaging Features

Packaging Quantity	10000
Packaging Method	Strip/Reel

Product Compliance

[For compliance documentation, visit the product page on TE.com>](#)

EU RoHS Directive 2011/65/EU	Compliant
EU ELV Directive 2000/53/EC	Compliant
China RoHS 2 Directive MIIT Order No 32, 2016	有害物质含量符合标准要求 No Restricted Substance(s) Above Threshold
EU REACH Regulation (EC) No. 1907/2006	Current ECHA Candidate List: JUNE 2025 (250) Candidate List Declared Against: JUNE 2025 (250) Does not contain REACH SVHC
Halogen Content	Low Halogen - Br, Cl, F < 900 ppm per homogenous material. Also BFR/CFR/PVC Free
Solder Process Capability	Not applicable for solder process capability



Product Compliance Disclaimer

This information is provided based on reasonable inquiry of our suppliers and represents our current actual knowledge based on the information they provided. This information is subject to change. The part numbers that TE has identified as EU RoHS compliant have a maximum concentration of 0.1% by weight in homogenous materials for lead, hexavalent chromium, mercury, PBB, PBDE, DBP, BBP, DEHP, DIBP, and 0.01% for cadmium, or qualify for an exemption to these limits as defined in the Annexes of Directive 2011/65/EU (RoHS2). Finished electrical and electronic equipment products will be CE marked as required by Directive 2011/65/EU. Components may not be CE marked. Additionally, the part numbers that TE has identified as EU ELV compliant have a maximum concentration of 0.1% by weight in homogenous materials for lead, hexavalent chromium, and mercury, and 0.01% for cadmium, or qualify for an exemption to these limits as defined in the Annexes of Directive 2000/53/EC (ELV). Regarding the REACH Regulation, the information TE provides on SVHC in articles for this part number is based on the latest European Chemicals Agency (ECHA) 'Guidance on requirements for substances in articles' posted at this URL: <https://echa.europa.eu/guidance-documents/guidance-on-reach>

Compatible Parts



TE Part # 2150004-1
OCEAN_2.0_Applicator-E-110F180F-REM



TE Part # 735075
250 FASTON HSG. REC. 1P CLEAR



TE Part # 2150004-2
OCEAN_2.0_Applicator-E-110F180F-REA



TE Part # 2-735075-6
250 FASTON INS POST.,REC.,1 POS, NATRUAL



TE Part # 6-735075-0
250 FASTON HSG. REC. 1P NATURAL



TE Part # 881339-1
SLEEVE FOR .250 SRS FASTON TAB




TE Part # 8-735075-0
250 FASTON HSG. REC. 1P NATURAL

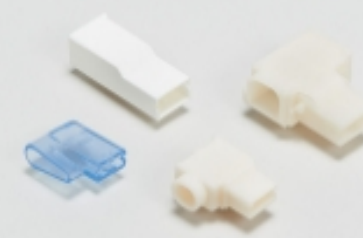


TE Part # 7-2150004-7
OCEAN_2.0_SPARE_PART_KIT-110F180F

Also in the Series | FASTON 250



Compression Connectors(4)



Crimp Terminal Housings(115)



Insulation Boots & Sleeves(16)



Magnet Wire Terminals(1)



PCB Terminals(133)



Quick Disconnects(412)



Splices(4)

Customers Also Bought



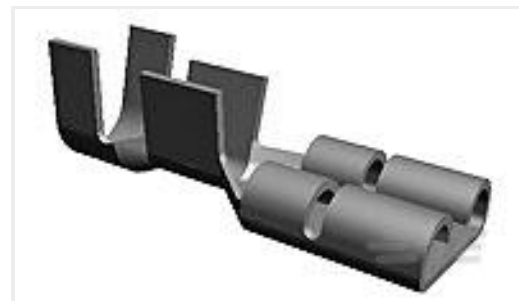
TE Part #62050-1
110 FASTON REC 20-16 AWG TPBR



TE Part #180464-1
250 FASTON,FLAG,REC.,14-17AWG, LATON



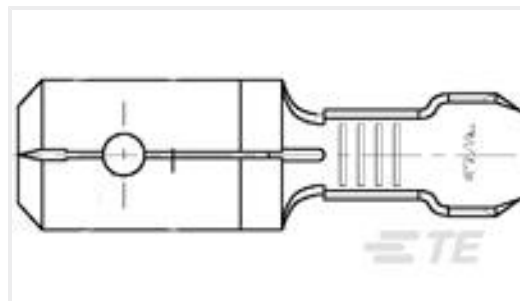
TE Part #4-280050-1
250 FASTON,FLAG,REC.,16-20 AWG, BR



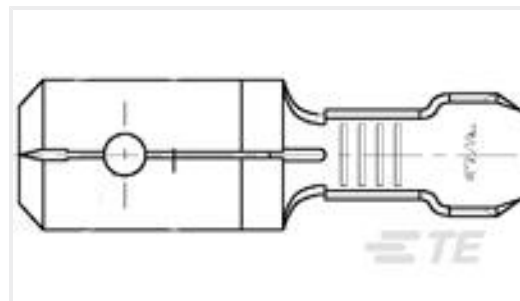
TE Part #444334-1
250 FASTON REC 22-18 AWG BR



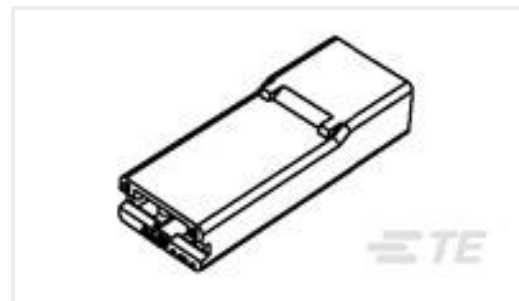
TE Part #626042-1
110 FASTON REC 22-16 AWG BR



TE Part #626377-1
TERMINAL FASTON .250 TAB 22-18 AWG BR



TE Part #626377-2
TERMINAL FASTON .250 TAB 22-18 AWG TPBR



TE Part #735075
250 FASTON HSG. REC. 1P CLEAR



TE Part #735222-1
FF 250 REC 1.0-2.5 MM2 0.32X19.30 BR



TE Part #881623-1
187 FASTON REC 20-17 AWG BR

Documents

Product Drawings

[250 FASTON REC 16-14 AWG BR](#)

English

CAD Files

Customer View Model

[ENG_CVM_CVM_444335-1_J1.2d_dxf.zip](#)

English

Customer View Model



[ENG_CVM_CVM_444335-1_J1.3d_igs.zip](#)

English

Customer View Model

[ENG_CVM_CVM_444335-1_J1.3d_stp.zip](#)

English

3D PDF

3D

By downloading the CAD file I accept and agree to the [Terms and Conditions](#) of use.

Product Specifications

EBGeneral Application Specification for Open Barrel Terminals**

English

Application Specification

English

Application Specification

English

Agency Approvals

Agency Approval Document

English