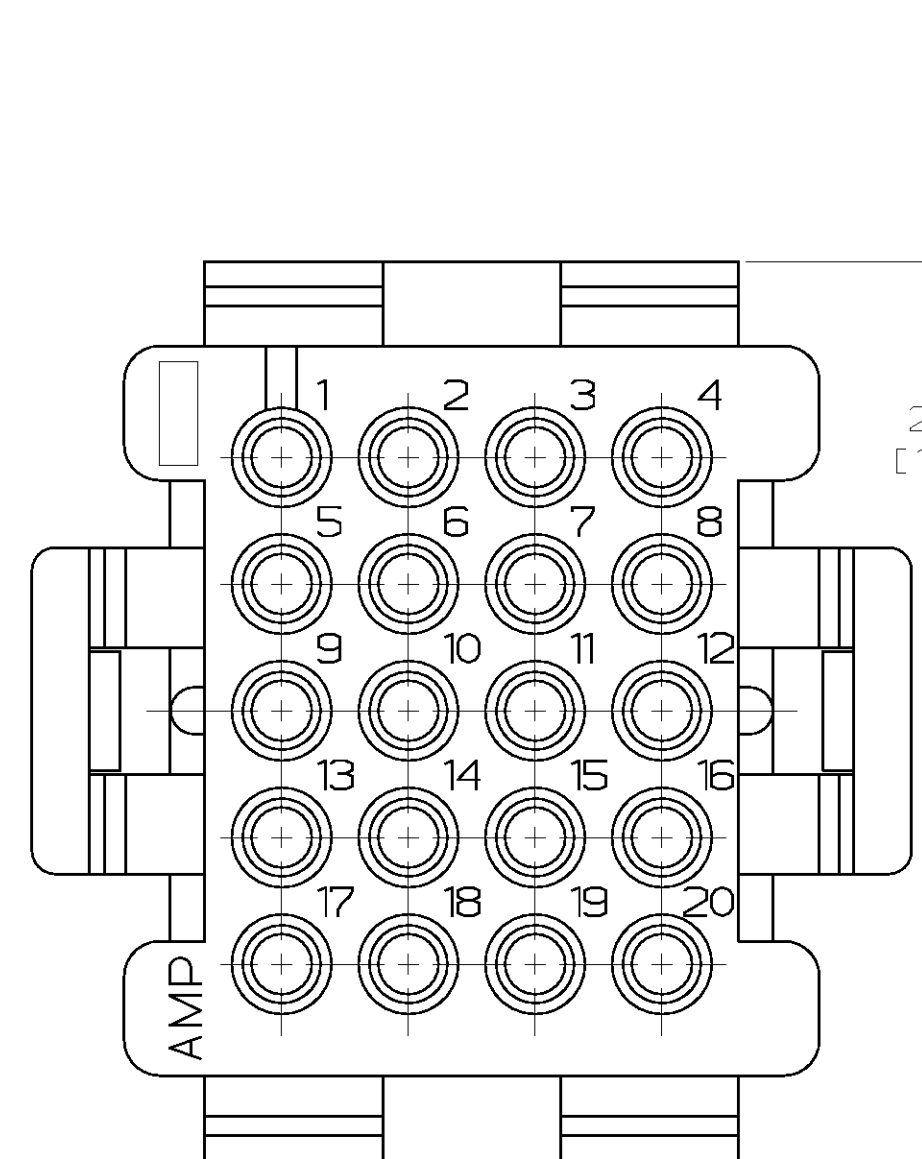


THIS DRAWING IS UNPUBLISHED. RELEASED FOR PUBLICATION .19
 (C) COPYRIGHT 19 BY AMP INCORPORATED. ALL RIGHTS RESERVED.

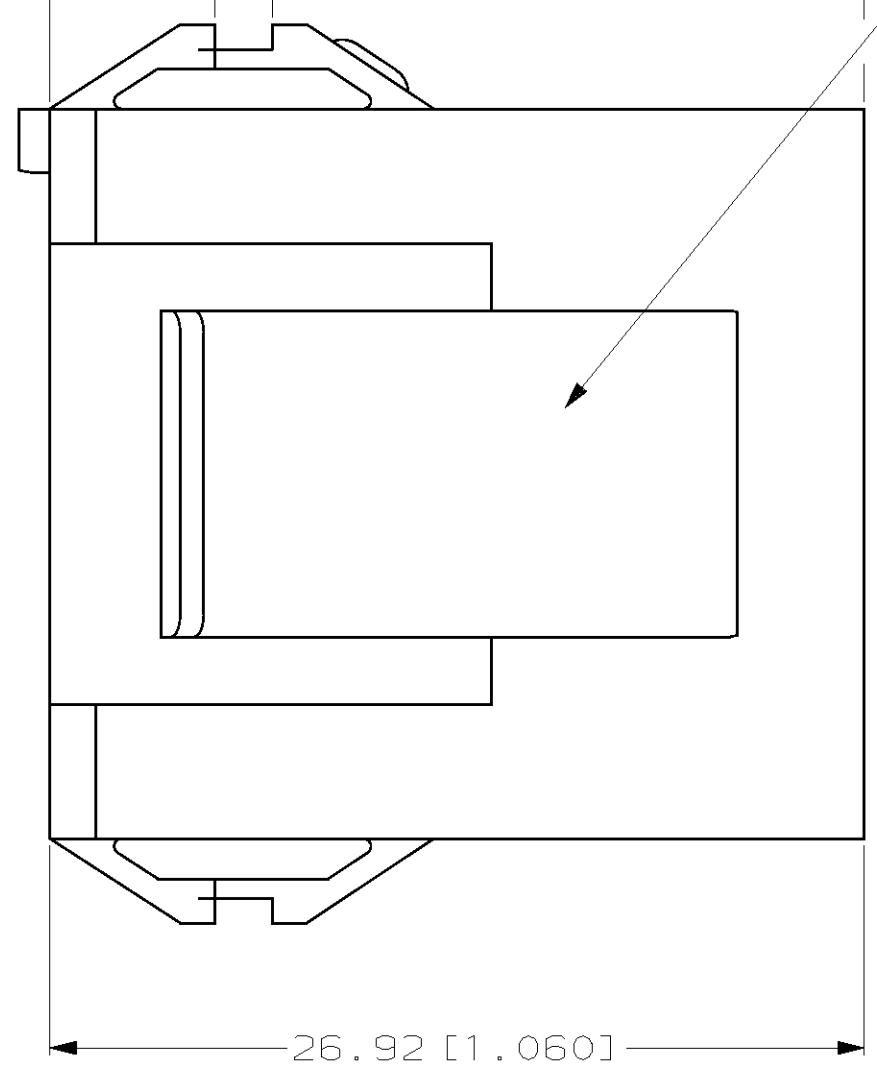
LOC		DIST		REVISIONS			
P	LTR	DESCRIPTION	DATE	DWN	APVD		
CM	52						
		D	REV PER EC	0L30-0015-97	2-21-97	JH	RS



29.72 ± 0.38
[1.170 ± .015]

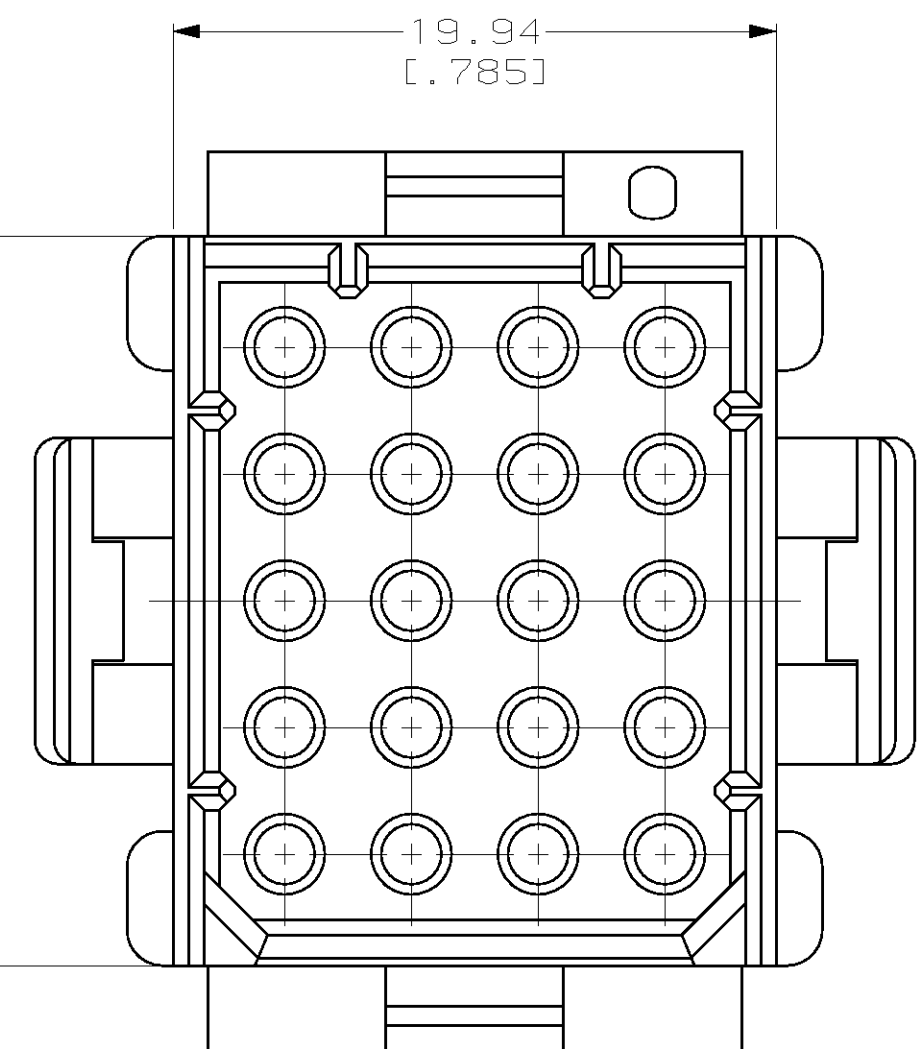
5.46 [.215] REF

19.57 [.771] REF



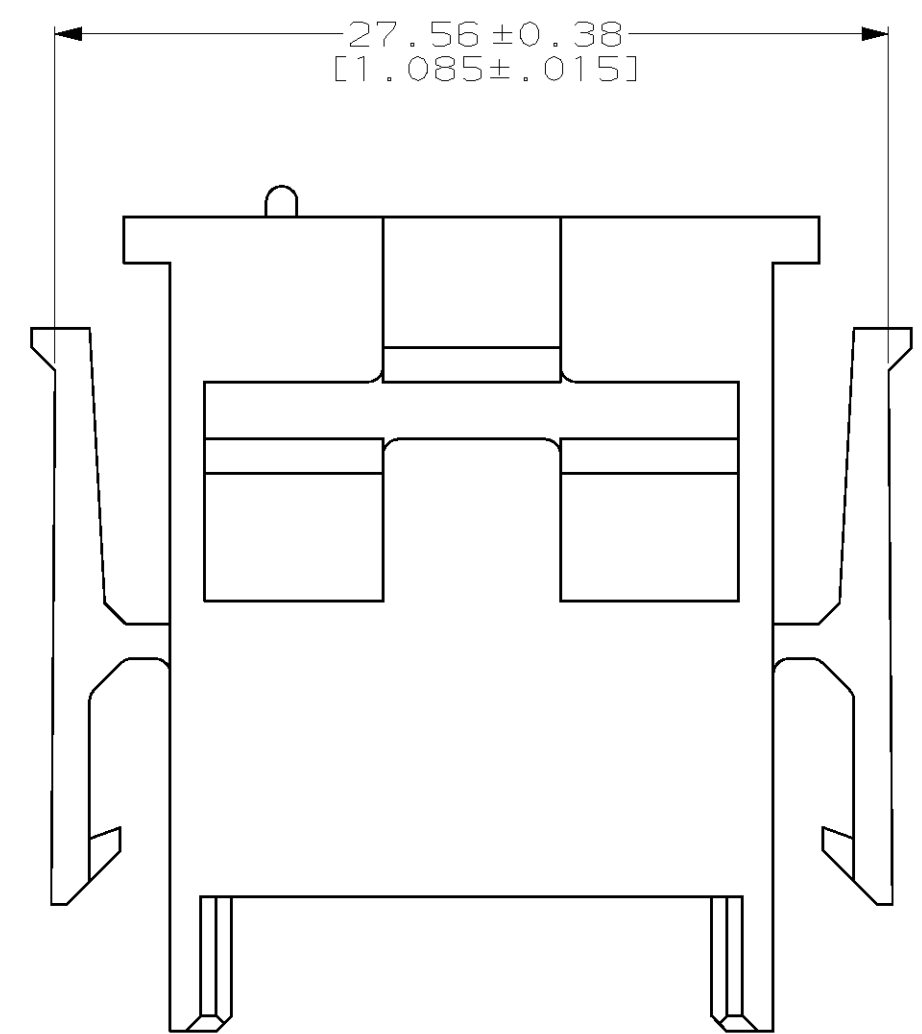
26.92 [1.060]

24.13 [.950]

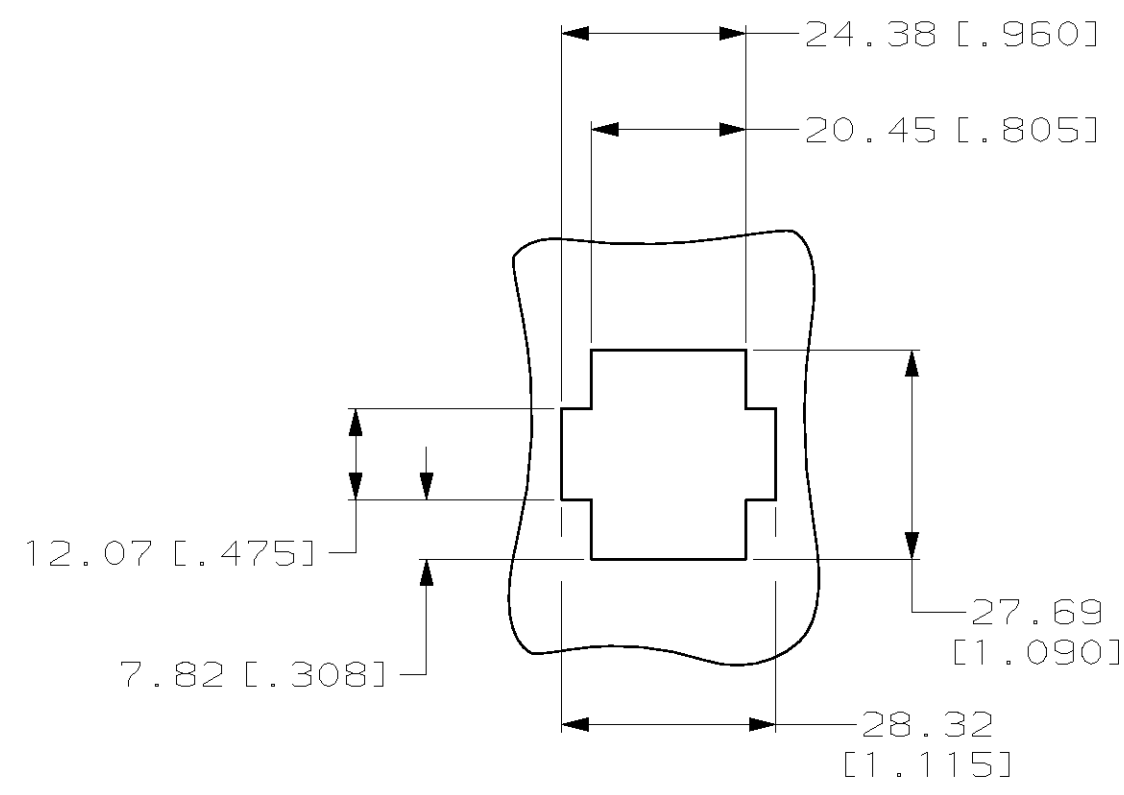


19.94 [.785]

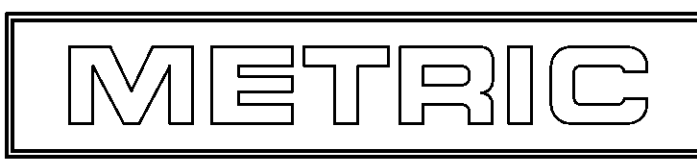
- MATES WITH HOUSING 640524.
- UL LOGO AND CSA LOGO TO APPEAR ON EITHER LATCH SURFACE PER AMP SPEC 202-20, I.D. NO. 1-18838-3 AND 1-18839-3. FROST BACKGROUND OPTIONAL.
- DIMENSIONS IN BRACKETS ARE IN INCHES.



27.56 ± 0.38
[1.085 ± .015]



RECOMMENDED CUT OUT FOR 1.73 [.068] MAX THICK PANEL SCALE 1:1



1-640514-0
PART NUMBER

THIS DRAWING IS A CONTROLLED DOCUMENT.		DWN	R. VESTAL	7-12-96	AMP Incorporated Harrisburg, PA 17105-3608		
DIMENSIONS: mm [INCHES]		CHK	R. SWING	7-12-96			
TOLERANCES UNLESS OTHERWISE SPECIFIED:		APVD	A. BEDDICK	7-12-96			
0 PLC ± 1 PLC ± 2 PLC ±0.13 [.005] 3 PLC ± 4 PLC ± ANGLES ±0°30'		PRODUCT SPEC	HOUSING, CAP MRII 20 POSITION				
MATERIAL NYLON, UL 94V-0, NATURAL (BRICK RED)		FINISH	-		SIZE	A2	
		CUSTOMER DRAWING		WEIGHT	-	CAGE CODE	00779
				SCALE	4:1	DRAWING NO	C-640514
				SHEET	1 OF 1	REV	D